

Smart Harness

NMEA2000

CZone utilizes the industry standard NMEA2000 Network for its communication protocol. The new Smart Harness replaces the need for a complete network backbone in a small system, meaning a robust, simpler and more cost-effective installation. The Smart Harness can also be fitted independent to any CZone installation where a small network comprising of 2 or 3 devices is required.

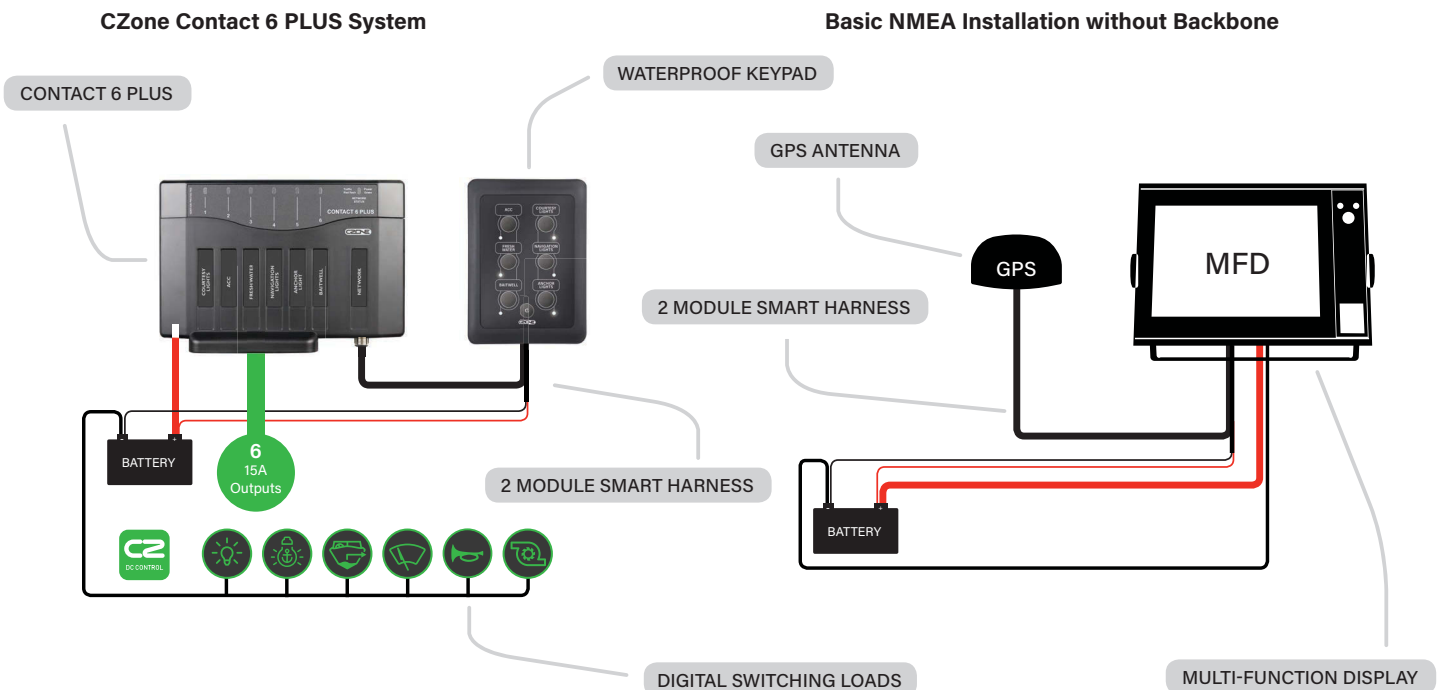


Features & Benefits

- » All-in-one NMEA2000 Network cable
- » Designed specifically for Contact 6 PLUS and CZone Waterproof Keypads
- » Saves time and money on installations
- » No T-Connectors and Terminators to install
- » 2 and 3 module harness option available

Note: Not to be added to an NMEA2000 Network. The Smart Harness contains internal network terminations and will compromise a standard backbone.

System Example

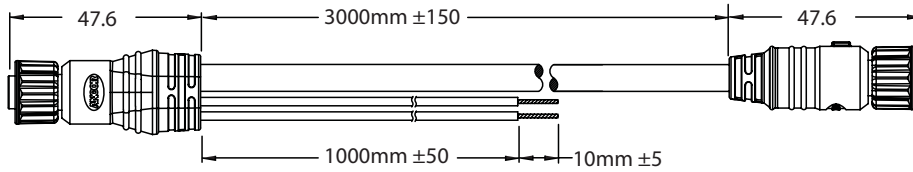


Part Numbers

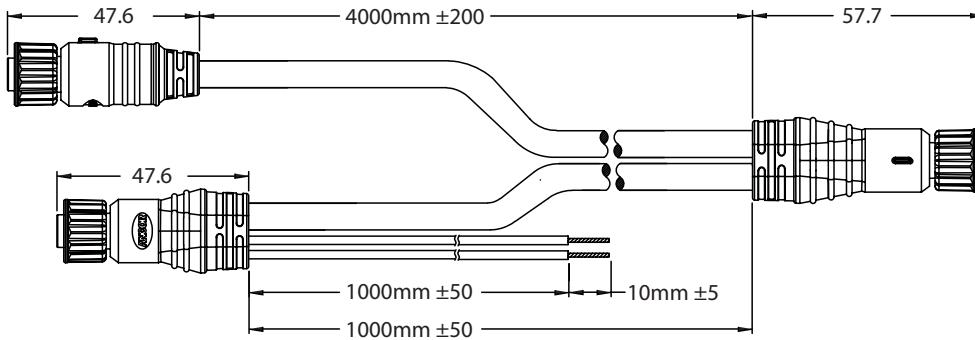
80-911-0171-00	CZONE 2 MODULE SMART HARNESS
80-911-0172-00	CZONE 3 MODULE SMART HARNESS

Dimensions

2 Module Smart Harness



3 Module Smart Harness

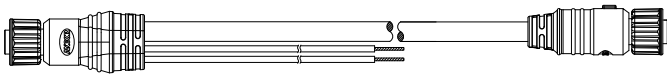
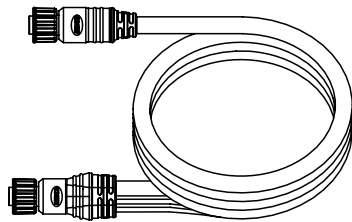


2 & 3 Module Harness

2 Module Smart Harness

The 2 Module Smart Harness replaces a small NMEA2000 Network connecting 2 networked devices.

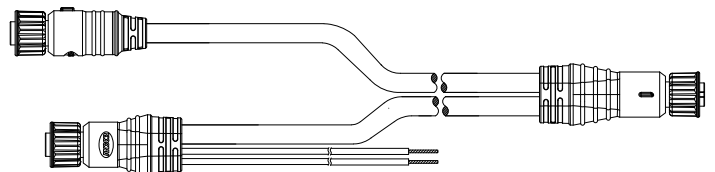
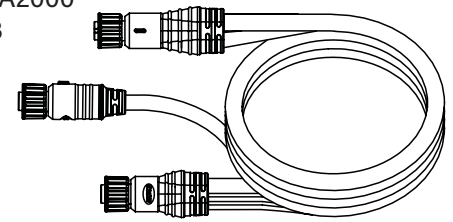
P/N: 80-911-0171-00



3 Module Smart Harness

The 3 Module Smart Harness replaces a small NMEA2000 Network connecting 3 networked devices.

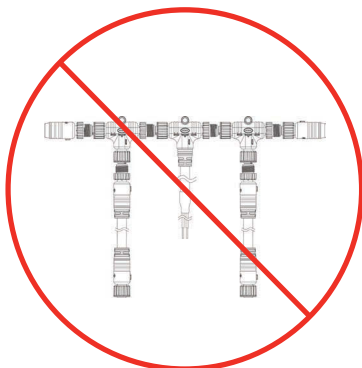
P/N: 80-911-0172-00



Traditional NMEA2000 Network

The 2 Module Smart Harness replaces 7 NMEA2000 components, saving installation time, reducing complexity and saving money.

- » 1x NMEA2000 Power Supply
- » 2x Terminators
- » 2x T-Connector
- » 2x Drop Cables



Traditional NMEA2000 Network

The 3 Module Smart Harness replaces 9 NMEA2000 components, saving installation time, reducing complexity and saving money.

- » 1x NMEA2000 Power Supply
- » 2x Terminators
- » 3x T-Connector
- » 3x Drop Cables

