

★
eurotask

SM-3DB Series

Digital Day/Night Vision Binocular



SM-3DB 11x

**For Day or Night Detection of Boats & Markers,
Navigation, SAR, & 24 hour observation**

SM-3DB Series

Digital Day/Night Vision Binocular

The Models

The SM-3DB Series comprises 3 models

- The SM-3DB8 with 8 times magnification
- The SM-3DB11 with 11 times magnification
- The SM-3DB VARIO with variable magnification 0.6 to 8 times

Benefits:

- Bright sunlight will not cause damage
- No damage from bright lights at night
- No blooming or night-light effects
- Tireless viewing with both eyes
- IR Illuminator for use in total darkness
- Large, 2.5" Hi res TFT-LCD Monitor
- Record using Standard Composite Video
- Battery charging via mains or car adaptors

Applications

Unlike many night vision devices which can only be used at night, the SM-3DB digital binocular can be used day or night without damage to the camera. The SM-3DB is perfect for long-range detection, navigation assistance & surveillance at sea or on land. It comes complete with an IR illuminator for use in total darkness & has a standard composite video output for on screen viewing or recording to DVR.



Technology

The binocular uses a silicon high sensitive state of the art CCD (Charge Coupled Device) camera with an electronic accumulation & signal multiplication system & built-in high resolution TFT-LCD monitor.

Using a four-stage automatic control & an anti-blooming system, the SM-3DB operates successfully in a wide range of lighting conditions from 0.0005 lux (starlight) to 30,000 lux (sunny day,) without having to adjust contrast or brightness.

The SM-3DB has similar performance to night vision devices of the 2+ generation, however it is more reliable & more cost-effective when compared to 2+ or Gen 3 night vision devices.

IR-530-3 (800) Illuminator

Supplied as standard, & designed for use at night at ranges up to 400m, the IR-530-3 (800) is a powerful illuminator which comprises an IR emitting LED with 800nm wavelength. Invisible to the naked eye, the illuminator has output power adjustment & radiation divergence control & is used to "light up" the surrounding area of the target. The module is removable from the Binocular & is powered by a separate 3v battery. (See options for longer range devices available)



SM-3DB Series

Digital Day/Night Vision Binocular—Features & Functions

Getting started

The binocular is supplied with pre-charged & installed batteries. To replace the AA batteries, remove the two screws **5** on the battery compartment cover **1**.

Turn button **12** to switch the binocular "ON." If you have external power available, connect to input **5** using the power cable supplied. The binocular can operate using the external power source - AC/DC adapter 230V/12V or via a car adapter. The red LED **11** will light whilst charging.

Optimize performance with the easy to use function buttons

The binocular has automatic brightness control on the LCD but at night or in bright daylight it is recommended to adjust the contrast, brightness & sharpness using "menu" button **7**. At each press, options for "brightness", "contrast", "sharpness" or "colour" (not engaged) will appear on the screen.

Select the required option & using buttons **8**, press "+" or "-" to set the desired parameter of picture.

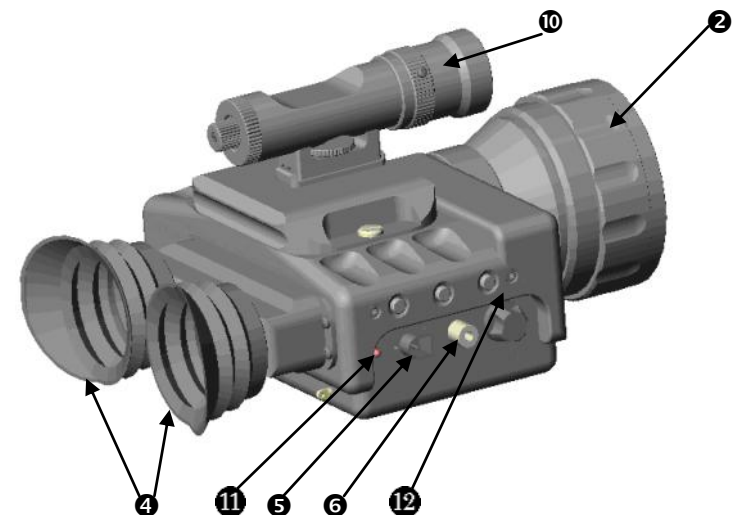
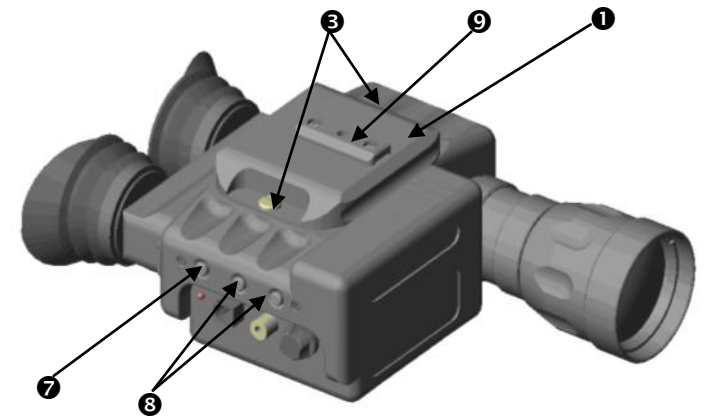
In order to increase the picture contrast & quality in sunlight, it is recommended to operate the binocular with closed cover which has an opening (diaphragm).

To achieve maximum sharpness of the object turn the lens **2**. The eyepiece **4** is set to a fixed position & is designed for range +/-3 of diopter vision.

Viewing & recording

Socket **6** is the Video output & is used for connecting to a video recording or video-transmitting device, using a standard video input.

Mount **9** is used for mounting the IR-530 illuminator **10** supplied with the unit. The IR Illuminator is for use with the binocular for observation in extreme conditions (cloudy sky at night) or in complete darkness.



SM-3DB Series

Binocular Technical Specification

Performance	SM-3DB 8x	SM-3DB 11x	SM-3DB VARIO
Visual Magnification	8x	11x	0.6 to 8x
Lens	F1.6/80 mm	F1.5/110 mm	F1.6 / 5.5-82.5
Resolution:		420 TV lines	
Day			
Night		100420 TV lines	
Field of View	6°	4°	4° to 48°
Range up to*:			
Day	600m	700m	600m
Night	400m	500m	400m
Display Options			
Display	2.5" LTFS TFT LCD 960X240		
Video Output	Standard 1v, 75 Ohm. Composite video RCA connector		
Power			
Battery	4.8v, 4xAA size rechargeable		
External Power Supply	DC 10...12V,350mA		
Battery Life	4 hours typical		
Physical & Environmental			
Operating Temperature	-10 deg.C to +45 deg.C		
Dimensions (mm)	230 x 160 x 85	250 x 170 x 95	230 x 160 x 85
Weight (kgs)	1.0	1.35	1.0
Options			
IR Illuminators	IR-530-810		
All units come Complete with			
IR illuminator		240v/12vDC Adapter	1
IR-530-3 adjustable (LED) 100mW (3v)	1		
Rechargeable battery	4	Car Charger	1
Battery CR123	1	User Manual	1
Hard Carry Case	1		

IR Intensifier Technical Specification

Performance	IR-530-3 (800) Standard	IR-530-810 Option
Output radiation power	100 mW (adjustable)	250 mW (adjustable)
Wavelength	800 nm	810+/-5 nm
Radiation divergence	5 to 8°	2 to 5°
Range up to	400 m	1000 m
Power supply	3 V, CR 123	
Battery lifetime	Between 4 to 20 hours	
Weight	0.140 kg	
Dimensions	130 x 32 mm	
Reliability	10,000 hours	
Operating temperature	-30°C to +40°C	

Dealer Stamp

N.B. SPECIFICATIONS ARE SUBJECT TO CHANGE WITH OUT NOTICE

* Range will vary dependent on the user, environmental conditions & set up.

All specifications are believed to be accurate at the time of going to print. No responsibility can be accepted for any changes between this

Eurotask Ltd • Little Meadow • Hambledon Road • Denmead • Hampshire • PO7 6HD United Kingdom
Tel +44 (0)23 9226 7755 • www.eurotaskltd.com • info@eurotaskltd.com

