

FURUNO®

Excellent Fish/Seabed Discrimination
Customizable Nav Data Display

6-INCH LCD SOUNDER

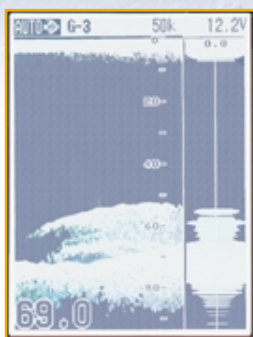
Model LS-6100

- 50/200 kHz Dual Frequency Transceiver
- High power 300 W rms
- Advanced legibility in high-contrast direct-sunlight mono LCD
- Customizable Nav Data Display*
- User programmable function key
- Trip log or odometer total*
- White line to discriminate echoes on seabed
- Wind direction and speed display*
- Unique "mini-navigator" featuring 12 "Go To" waypoints with programmable comments

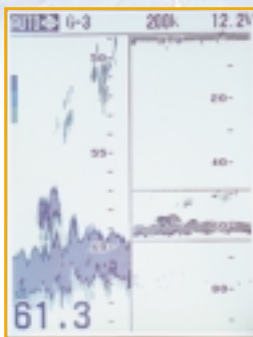
*With Appropriate Sensors



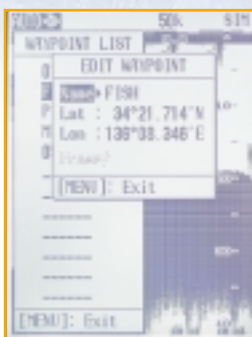
Single freq
(50 kHz) with
A-scope
Reverse mode



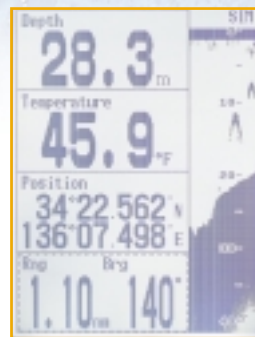
Bottom Zoom
with white
line



Waypoint



NAV Data-1



NAV Data-2



The future today with FURUNO's electronics technology.

FURUNO ELECTRIC CO., LTD.

9-52 Ashihara-cho, Nishinomiya City, Japan Phone: +81 (0)798 65-2111
Fax: +81 (0)798 65-4200, 66-4622 URL: www.furuno.co.jp

offered by Busse-Yachtshop.com

Catalogue No. E-388

TRADE MARK REGISTERED
MARCA REGISTRADA

The LS-6100 is a new dual frequency sounder designed for a variety of pleasure craft and coastal fishing boats. It features a 6" high-definition silver bright LCD screen that offers a remarkably detailed picture of fish and bottom structure. The LS-6100 offers dual frequency capabilities, both 50 and 200 kHz, and has an outstanding 300 Watt rms output power, making this sounder the leader in its class.

Basic display modes include single LF/HF, Dual, Bottom-Lock Expansion, Bottom-Zoom, A-scope and Marker Zoom and two Nav Data Display modes.

The LS-6100 works as a handy navigational organizer when connected to an appropriate transducer or external nav sensor. It can display a variety of information including: water temperature, wind direction/speed, Lat/Lon, XTE and distance run in a graphical or text form.

When connected to a GPS receiver, the "mini-navigator" feature is capable of storing up to 12 waypoints with comments. One of the waypoints can be selected as a destination, Range/Bearing, course-to-steer and XTE to the destination shown to aid navigation. The LS-6100 has a new Target Data Output feature that allows the output of Lat/Lon position and depth of a target specified by Cursor Position, along with temperature data when a temperature sensor is connected. This feature helps determine the depth of your tackle.

Choose from a variety of modes, including manual or two auto modes, fishing or cruising. The cruising mode uses a higher clutter rejection setting than the fishing mode, making it useful to track the bottom while cruising.

The range can be changed manually or automatically; the LS-6100 will redraw an entire echogram so that the contour can be shown seamlessly.

SPECIFICATIONS OF LS-6100

1. **Display** 6-inch monochrome LCD, 4 gray tones, 240 (H) x 320 (V) pixels
2. **Frequency** 50 and 200 kHz
3. **Output Power** 300 W rms
4. **Display Modes** Normal (Single/Dual), Bottom-Zoom, Bottom-Lock Expansion, Marker Zoom, 2 pages Nav Data and A-scope
5. **Basic Range** (m, ft, fa, p/b can be selected in menu) 2 to 500 m
6. **Range Phasing** Up to 500 m
7. **Bottom-lock Range** 3 to 10 m selectable in menu
8. **Zoom Scale** 2 to 50 m selectable in menu
9. **Picture Advance** Stop, 1/16, 1/8, 1/4, 1/2, 1/1, 2/1, 4/1
10. **Interface** (NMEA 0183 Ver. 1.5/2.0/3.0)

1 port for NMEA IN

1 port for NMEA IN or OUT selectable on menu

Input: RMA, RMB, RMC, GGA, VTG, VHW, MTW, XTE, BWC, MDA, GLL, HDT, HDG, MWV

Output: Water depth (SDDPT), Speed* (VWVHW)
Water temperature* (YCMTW),
Target position (SDTLL)**,
Position/Depth/Temp (PFECXXX)**

* When connected with a transducer with speed and temperature sensor

** When connected with a GPS

11. **Alarm** Bottom, Fish, Temp, Speed and Battery

POWER SUPPLY

11 to 16 VDC, 7 W

ENVIRONMENT (Display Unit)

Temperature: -15°C to +55 °C (IEC 60945)

Waterproofing: IPX5 (IEC 60529), CFR-46 (USCG standard)

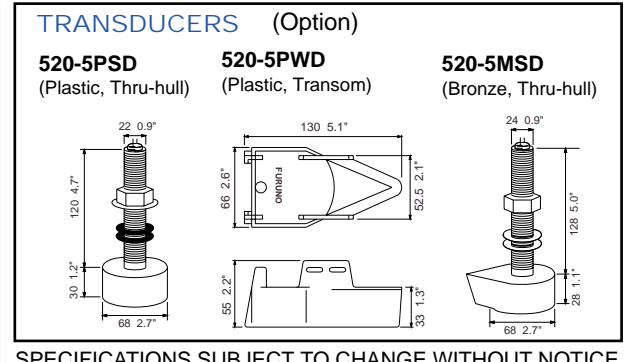
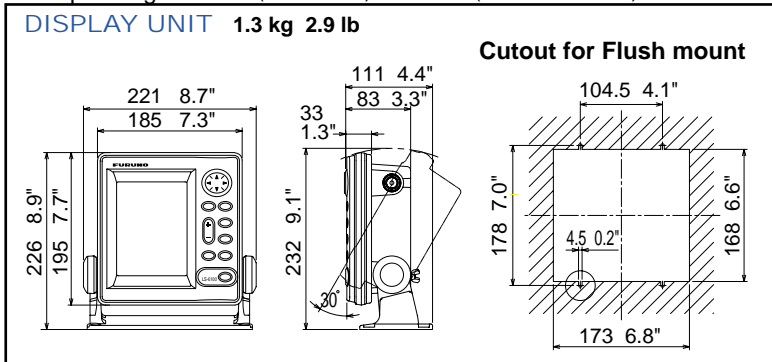
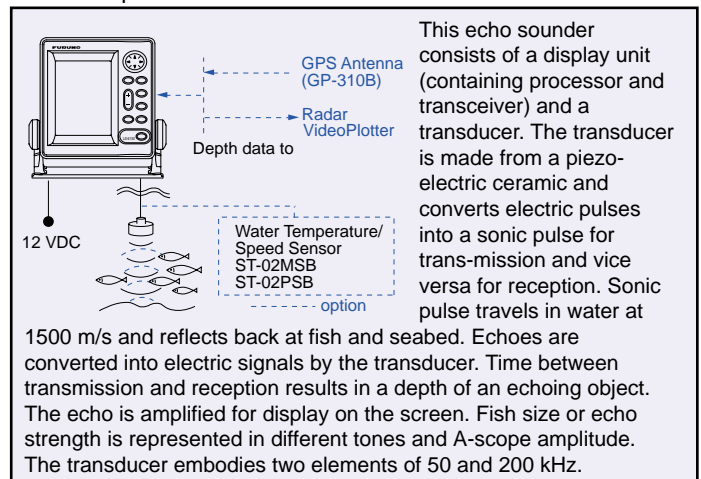
EQUIPMENT LIST

Standard

1. Display Unit LS-6100
2. Installation Materials and Standard Spare Parts

Option

1. NMEA Cable MJ-A15A7F0005-020
2. Cable for Speed/Temperature Sensor 02S4147-1
3. Inner Hull Kit 22S0191-0
4. Transducer (*Specify when ordering*)
520-5PSD (Plastic, Thru-hull type)
520-5PWD (Plastic, Transom type)
520-5MSD (Bronze, Thru-hull type)
(with speed/temperature sensor)
525ST-PWD (Plastic, Transom type)
525ST-MSD (Bronze, Thru-hull type)
5. Y Adaptor Cable for GP-310B



SPECIFICATIONS SUBJECT TO CHANGE WITHOUT NOTICE

FURUNO U.S.A., INC.
Camas, Washington, U.S.A.
Phone: +1 360-834-9300 Telefax: +1 360-834-9400

FURUNO (UK) LIMITED
Denmead, Hampshire, U.K.
Phone: +44 2392-230303 Telefax: +44 2392-230101

FURUNO FRANCE S.A.
Bordeaux-Mérignac, France
Phone: +33 5 56 13 48 00 Telefax: +33 5 56 13 48 01

FURUNO ESPAÑA S.A.
Madrid, Spain
Phone: +34 91-725-90-88 Telefax: +34 91-725-98-97

FURUNO DANMARK AS
Hvidovre, Denmark
Phone: +45 36 77 45 00 Telefax: +45 36 77 45 01

FURUNO NORGE A/S
Ålesund, Norway
Phone: +47 70 102950 Telefax: +47 70 127021

FURUNO SVERIGE AB
Västra Frölunda, Sweden
Phone: +46 31-7098940 Telefax: +46 31-497093

FURUNO SUOMI OY
Helsinki, Finland
Phone: +358 9 341 7570 Telefax: +358 9 3417 5716

02025B Printed in Japan