



User / Installation Manual

Marine Box Speaker

MS-BX402



Contents

List of Contents	Pg 4
Product Specifications	Pg 4
Line Drawings and Dimensions	Pg 5
Installation Guide	Pg 6
Trouble Shooting	Pg 7

RECORD YOUR PRODUCT DETAILS HERE:

MODEL NUMBER _____ DATE OF PURCHASE _____

AFFIX RECEIPT HERE

FUSION Full Range Marine/Outdoor Box Speakers are carefully designed and manufactured specifically for marine use. FUSION Box Speakers feature a unique high tech bass/mid cone, a fluid cooled titanium dome tweeter, and are constructed to be water resistant and minimise magnetic interference.

These speakers have been thoroughly tested to ensure consistent and reliable performance is achieved in the challenging marine environment.

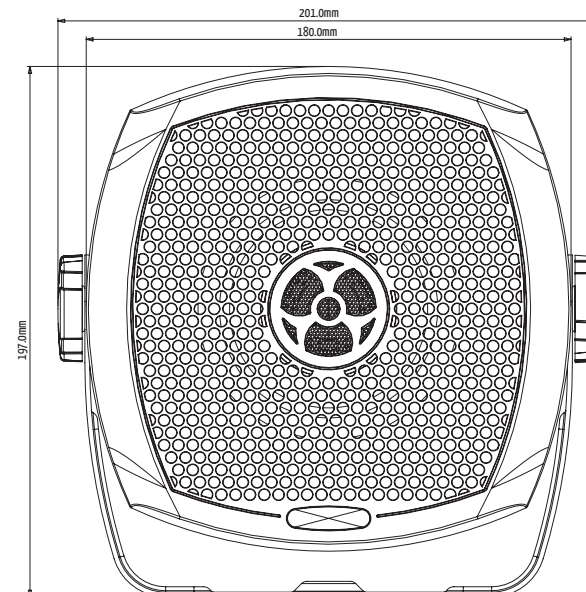
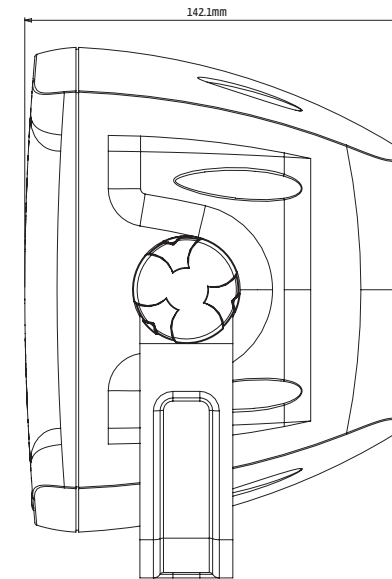
LIST OF CONTENTS

- 2 x Speakers
- 2 x Connection Wire
- Mounting Hardware
- 2 x Mounting Bracket
- 4 x Mounting knobs
- Manual
- Warranty Card
- "FUSION Entertainment" Gel Badge
- 2 x FUSION Gel Badges, Green/Black
- 2 x FUSION Gel Badges, White/Black
- 2 x FUSION Gel Badges, Silver/Black

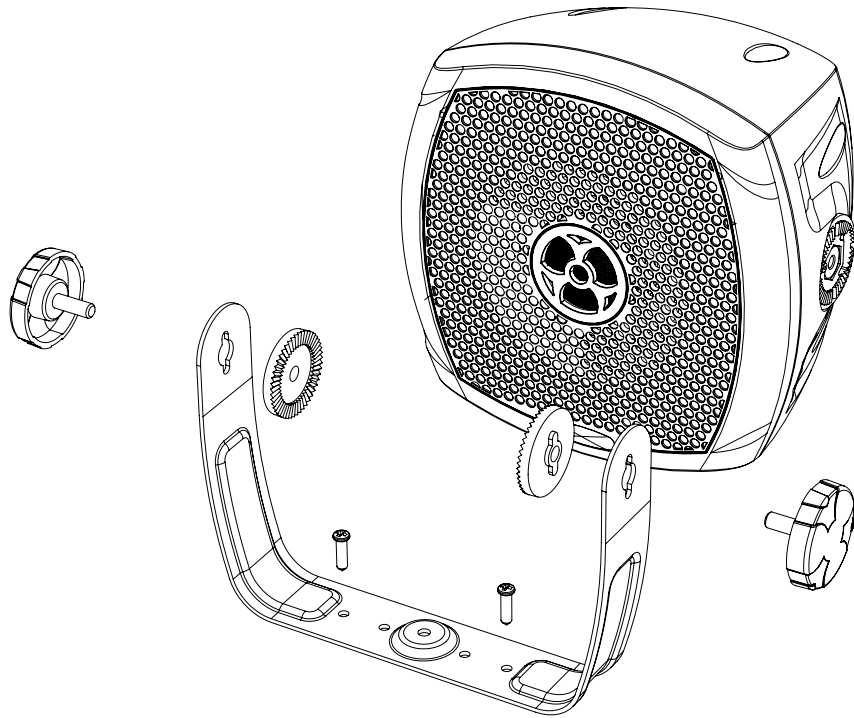
PRODUCT SPECIFICATIONS

Tweeter Type	Titanium Dome
Max Power (watts)	120
Efficiency (1W/1M)	87db
Frequency Response	90 – 22kHz
Impedance	4 ohms

LINE DRAWINGS AND DIMENSIONS



INSTALLATION GUIDE



1. Check mounting position for adequate space (see caution)
2. Place the mounting bracket in position, then mark and drill the mounting holes.
3. Place the mounting bracket and insert screws.
4. Connect the wires from the source unit to the box speaker ensuring the correct polarity is observed.
5. Attach the box speaker to the bracket using the mounting knobs supplied
6. Adjust the angle of the speaker to the preferred position before tightening the mounting knobs

CAUTION: For speaker mounting restrictions, please refer to manufacturers recommendations for any related navigational equipment.

Installation Tips

Any speaker will only perform to its best capabilities, when correctly placed in the listening area. FUSION Engineers recognise that unlike a home or motor vehicle installation, there are an extremely wide range of marine environments where speakers may be placed. FUSION Full Range Marine Speakers are optimised to perform in the widest possible range of mounting locations, but a little thought and care with placement will always be rewarded with better sound.

- High frequencies are directional. Placing the speakers low down in the boat will lose some of this information.
- Speakers should be placed to simulate a “sound stage”, by being placed where you are able to hear both speakers in a stereo situation.

TROUBLE SHOOTING

Before you contact your FUSION dealer or service centre, FUSION requires that you do some simple trouble shooting to help diagnose the problem.

Problem	Solution
No sound	Check all connections from the source unit amplifier to the speaker terminals are connected correctly
System lacks in bass	Check the connections from the source unit/ amplifier to the speaker. Ensure the positive wire from the source is connected to the positive of the speaker.
System lacks in high frequencies	Check polarity Check the bass / treble control settings on the source unit
Distorted sound	Check all wiring Check that it is not the surrounding panels of the craft rattling. Check connections from the source to the speaker.

PUBLISHED BY FUSION ELECTRONICS LIMITED:
© Copyright 2010 by FUSION Electronics Limited.
All rights reserved. Specifications and design are subject to change without notice.



YOU CAN HELP PROTECT THE ENVIRONMENT!
Please remember to respect the local regulations:
Hand in the non-working electrical equipment to an appropriate waste disposal center.

Specifications and design are subject to change without notice.

