

Thank you for choosing Humminbird™, America's #1 name in fishfinders. Humminbird™ has built its reputation by designing and manufacturing top-quality, thoroughly reliable marine equipment. Your Humminbird™ is designed for trouble-free use in even the harshest marine environment. In the unlikely event that your Humminbird™ does require repairs, we offer an exclusive Service Policy-free of charge during the first year after purchase, and available at a reasonable rate after the one-year period. For complete details, see the warranty section in this manual. We encourage you to read this operators manual carefully in order to get full benefit from all the features and applications of your Humminbird™ product.

Contact our Customer Resource Center at 1-800-633-1468 or visit our website at www.humminbird.com.

The 100 Series™ Fishin' Buddy® comes in four models:

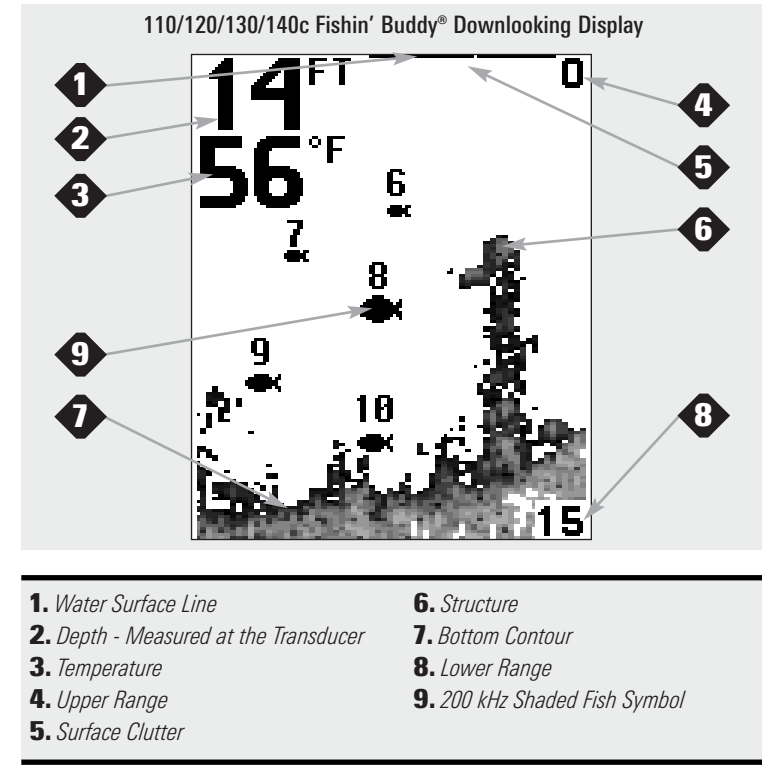
- **110 Fishin' Buddy™** - Downlooking Sonar, 160 V x 128 H Display
- **120 Fishin' Buddy™** - Downlooking and SideFinding™ Sonar, 240 V x 160 H Display
- **130 Fishin' Buddy™** - Downlooking and SideFinding™ Sonar, 320 V x 240 H Display
- **140c Fishin' Buddy™** - Downlooking and SideFinding™ Sonar, Transfactive Color 320 V x 240 H Display

WARNING! This device should not be used as a navigational aid to prevent collision, grounding, boat damage, or personal injury. When the boat is moving, water depth may change too quickly to allow time for you to react. Always operate the boat at very slow speeds if you suspect shallow water or submerged objects.

WARNING! Remove the Fishin' Buddy® from the mounting bracket support arm ring when the boat is traveling. Use the Fishin' Buddy® at trolling speed only. Traveling at high speed with the Fishin' Buddy® attached can cause damage to the device.

CAUTION: Do not handle the bottom of the transducer while it is transmitting sound. Prolonged contact with the transducer element can cause physical discomfort or minor tissue damage.

CAUTION: Do not over-tighten the C-Clamp. Turning the C-Clamp knob more than recommended may cause permanent damage. See the instructions for Attaching the Fishin' Buddy® Mounting Bracket to the Boat.



What You See on the SideFinding™ Display

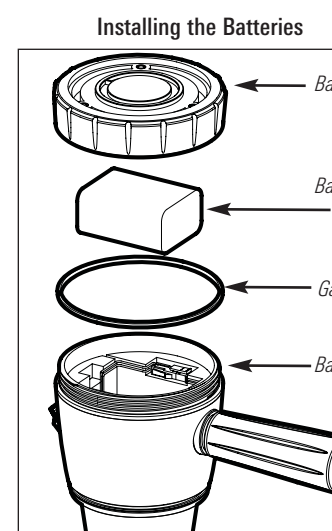
Cone - The transducer cone graph on the screen represents the area in which the 100 Series™ Fishin' Buddy® is searching for fish.

Fish - The symbols displayed in the graph shows where the Fishin' Buddy® has marked fish. Even though a fish may quickly move out of the transducer beam, all fish symbols are displayed for at least five seconds. The symbol does not indicate the size of the fish.

2. Installing the Batteries

Use this procedure to install the batteries and attach the battery cap (including gasket). The Fishin' Buddy® requires six alkaline "AA" size batteries (not included) for operation.

CAUTION: Always remove discharged batteries promptly and before periods of storage to prevent potential damage due to battery acid leakage. Failure to do so may void your warranty.

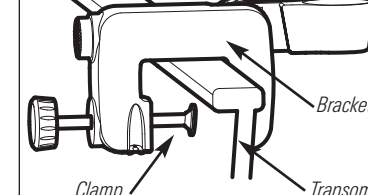


3. Attaching the Control Head to the Fishin' Buddy®

Use this procedure to attach the control head to the top of the battery cap (once you have replaced/installed the batteries).

You will need to assemble the control head mounting bracket as part of this procedure.

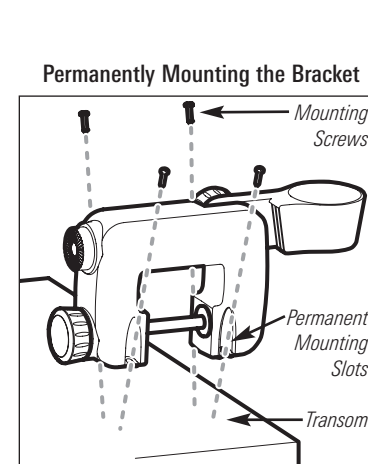
Attaching the C-Clamp to the Transom



Tighten the C-clamp by turning the knob lightly by hand. The knob will stop turning when the clamp touches the transom. Then, turn the knob up to two full additional revolutions. If the mounting bracket is not stable after tightening by hand, try repositioning the bracket.

CAUTION: Do not over-tighten the C-Clamp. Tightening the C-Clamp more than the recommended two revolutions may cause permanent damage.

Permanently Mounting the Bracket



Light

(Setting Not Saved in Memory)

Press the POWER-MENU key until LIGHT appears. Use the backlight for night fishing. Select either 0 (Off), or 1 through 5 to activate the backlight at the desired level. (0 to 5, Default = 0)

NOTE: Continuous backlight operation will significantly decrease the battery life for the Fishin' Buddy®.

Sensitivity

(Setting Saved in Memory)

Press the POWER-MENU key until SENSITIVITY appears. Sensitivity controls how much detail is shown on the display. Increasing the sensitivity shows more sonar returns from small baitfish and suspended debris in the water; however, the display may become too cluttered. When operating in very clear water or greater depths, increasing sensitivity shows weak returns that may be of interest. Decreasing the sensitivity eliminates the clutter from the display that is sometimes present in murky or muddy water. If Sensitivity is adjusted too low, the display may not show many sonar returns that could be fish. (0 – 10, Default = 5)

NOTE: This menu item only affects the Downlooking Sonar Beam.

Depth Range

(Setting Not Saved in Memory)

Press the POWER-MENU key until DEPTH RANGE appears. Automatic is the default setting. When in automatic, the lower range will be adjusted by the unit to follow the bottom. (Auto, 15, 30, 60, 120, 240; Default = Auto)

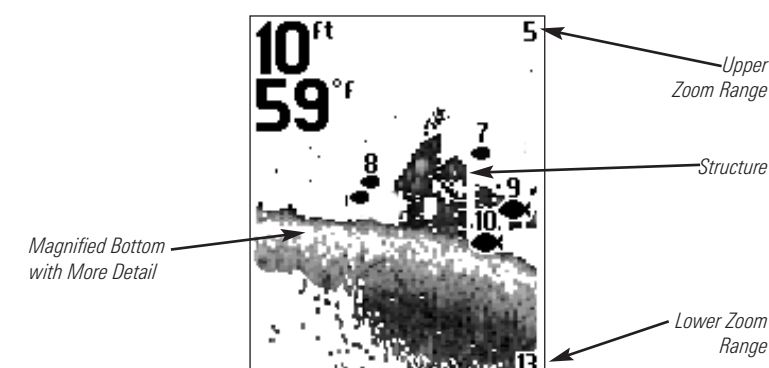
NOTE: In manual operation, if the depth is greater than the depth range setting, the bottom will not be visible on the display. Select AUTO to return to automatic operation.

NOTE: This menu item only affects the Downlooking Sonar Beam.

ZOOM

(Setting Not Saved in Memory)

Press the POWER-MENU key until ZOOM appears. Select Auto to magnify the area around the bottom in order to reveal fish and structure close to the bottom that may not be visible during normal operation. When ZOOM is set to Auto, the upper and lower Depth Ranges are automatically adjusted to keep the area above and below the bottom on the display. Select Off to return to normal operation. (Off, Auto, Manual Ranges, Default = Off)



There is also a series of manual ranges which can be selected. The manual depth ranges are determined by the present depth conditions, and are displayed in increments of 7, based on current depth conditions.

NOTE: This menu item only affects the Downlooking Sonar Beam.

Chart Speed

(Setting Saved in Memory)

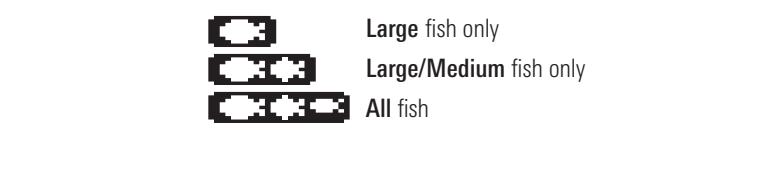
Press the POWER-MENU key until CHART SPEED appears. Select a setting from 1-5 to increase or decrease the chart speed, where 1 is the slowest and 5 is the fastest chart speed. Chart speed determines the speed at which the sonar information moves across the display, and consequently the amount of detail shown. A faster speed shows more information and is preferred by most anglers; however, the sonar information moves across the display quickly. A slower speed keeps the information on the display longer, but the bottom and fish details become compressed and may be difficult to interpret. (1 to 5, Default = 5)

NOTE: This menu item only affects the Downlooking Sonar Beam.

Fish Alarm

(Setting Saved in Memory)

Press the POWER-MENU key until FISH ALARM appears. Select Off for no fish alarm, or one of the following symbols to set the alarm. An alarm will sound when the Fishin' Buddy® detects fish that correspond to the alarm setting. Fish Alarm will only sound if Fish ID+ is also set to On. (Off, Large, Large/Medium, All, Default = Off)



NOTE: This menu item only affects the Downlooking Sonar Beam.

NOTE: The Fish Alarm will only sound for fish detected in the Downlooking Sonar Beam.

Depth Alarm

(Setting Not Saved in Memory)

Press the POWER-MENU key until DEPTH ALARM appears. Select Off for no Depth Alarm, or select 3 to 99 feet to set the alarm depth. An audible alarm sounds when the depth is equal to or less than the setting. (Off, 3 to 99 feet, Default = Off)

NOTE: This menu item only affects the Downlooking Sonar Beam.

Filter

(Setting Saved in Memory)

Press the POWER-MENU key until FILTER appears. Select either Off or On. Filter adjusts the sonar filter to limit interference on the display from sources such as your boat engine, turbulence, or other sonar devices. (On, Off, Default = Off)

NOTE: This menu choice only affects the Downlooking Sonar Beam.

Setup Menu

(Setting Not Saved in Memory)

Press the POWER-MENU key until Setup appears. Select either Off or On. (Off, On, Default = Off)

When you choose Setup, additional menu choices will be available that are not a part of the Main Menu System. After selecting Setup, press the POWER-MENU key to display the Setup menu choices, one at a time. Setup Menu choices include:

- Contrast
- Battery Alarm
- Fish ID+™
- Language (International only)
- Bottom View
- Units (International only)

Scroll through all SetUp menu choices to exit the SetUp menu.

Contrast (SetUp Menu)

(Setting Saved in Memory; Menu is only Available on Monochrome Models)

Make sure that the Setup menu is selected, then press the POWER-MENU key until CONTRAST appears. Select a setting from 1 through 5. (1 to 5, Default = 3)

Scroll through all SetUp menu choices to exit the SetUp menu.

NOTE: The Contrast Menu is only available on Monochrome models.

Fish ID+™ (SetUp Menu)

(Setting Saved in Memory)

Make sure that the Setup menu is selected, then press the POWER-MENU key until FISH ID+™ appears. Select either Off to view "raw" sonar returns or On to view Fish symbols. Fish ID+™ uses advanced signal processing to interpret sonar returns, and will display a Fish Symbol when very selective requirements are met. A select number of possible fish returns will be displayed with their associated depth. (On, Off, Default = On)

Scroll through all SetUp menu choices to exit the SetUp menu.



NOTE: This menu item only affects the Downlooking Sonar Beam.

Bottom View (SetUp Menu)

(Setting Saved in Memory)

Press the POWER-MENU key until BOTTOM VIEW appears. Bottom View selects the method used to represent the bottom and structure on the display. (Monochrome Model Menu Choices: Structure ID, Black, WhiteLine, Inverse, Default = Inverse) (Color Model Menu Choices: Structure ID, WhiteLine, Default = Structure ID)

Scroll through all SetUp menu choices to exit the SetUp menu.

Structure ID™ represents weak returns as light pixels and strong returns as dark pixels. This has the benefit of ensuring that strong returns on the display.

Black (Bottom Black) displays all pixels below the bottom contour as black, regardless of signal strength. This has the benefit of providing a high contrast between the bottom and other sonar returns on the display.

WhiteLine™ highlights the strongest sonar returns in white resulting in a distinctive outline. This has the benefit of clearly defining the bottom on the display.

Inverse is a method where weak returns are shown with dark pixels and strong returns with lighter pixels. This has the benefit of ensuring that weak signals will be clearly visible on the display.

NOTE: Not available on Color Models.

WhiteLine™ highlights the strongest sonar returns in white resulting in a distinctive outline. This has the benefit of clearly defining the bottom on the display.

NOTE: Not available on Color Models.

WhiteLine™ highlights the strongest sonar returns in white resulting in a distinctive outline. This has the benefit of clearly defining the bottom on the display.

NOTE: Not available on Color Models.

NOTE: Not available on Color Models.

NOTE: Not available on Color Models.

NOTE: Not available on Color Models.

NOTE: Not available on Color Models.

NOTE: Not available on Color Models.

NOTE: Not available on Color Models.

NOTE: Not available on Color Models.

NOTE: Not available on Color Models.

NOTE: Not available on Color Models.

NOTE: Not available on Color Models.

NOTE: Not available on Color Models.

NOTE: Not available on Color Models.

NOTE: Not available on Color Models.

NOTE: Not available on Color Models.

NOTE: Not available on Color Models.

NOTE: Not available on Color Models.

NOTE: Not available on Color Models.

NOTE: Not available on Color Models.

NOTE: Not available on Color Models.

This warranty does not apply to a product that has been:

- Improperly installed;
- Used in an installation other than that recommended in the product installation and operation instructions;
- Damaged or has failed because of an accident or abnormal operation;
- Repaired or modified by entities other than Humminbird™.

Please retain your original receipt as a proof of the purchase date. This will be required in warranty service.

THIS WARRANTY IS EXPRESSLY IN LIEU OF ANY OTHER WARRANTIES, OBLIGATIONS OR LIABILITIES ON THE PART OF HUMMINBIRD™ AND WILL BE THE CUSTOMER'S EXCLUSIVE REMEDY. EXCEPT FOR ANY APPLICABLE IMPLIED WARRANTIES UNDER STATE LAW WHICH ARE HEREBY LIMITED IN DURATION TO ONE YEAR FROM THE DATE OF ORIGINAL PURCHASE, IN NO EVENT WILL HUMMINBIRD™ BE LIABLE FOR ANY INCIDENTAL OR CONSEQUENTIAL DAMAGES FOR BREACH OF ANY EXPRESS OR IMPLIED WARRANTY RELATING TO THE PRODUCTS.

Some states do not allow limitations on an implied warranty, or the exclusion of incidental or consequential damages, so the above exclusions may not apply to you. You may also have other rights, which vary from state to state.

Maintenance

Your Fishin' Buddy® is designed to provide years of trouble-free operation with virtually no maintenance. Follow these simple procedures to ensure your Fishin' Buddy® continues to deliver top performance.

If the unit comes into contact with salt spray, wipe the affected surfaces with a cloth dampened in fresh water. Do not use a chemical glass cleaner on the lens - this may cause cracking in the lens. When cleaning the LCD protective lens, use a chemical and non-abrasive, mild cleanser. Do not wipe while dirt or grease is on the lens. Be careful to avoid scratching the lens.

If your transducer remains in the water for long periods of time, marine growth can reduce the effectiveness of the transducer. Periodically clean the face of the transducer with liquid detergent.

Humminbird® Service Policy

Even though you'll probably never need to take advantage of our incredible service policy, it's good to know that we back our products this confidently. We do it because you deserve the best. We will make every effort to repair your unit within three business days from the receipt of your unit at our factory. This does not include shipping time to and from our factory. Units received on Friday are typically shipped by the following Wednesday, units received Monday are typically shipped by Thursday, etc.

All repair work is performed by factory-trained technicians to meet exacting factory specifications. Factory serviced units go through the same rigorous testing and quality control inspections as new production units.

After the original warranty period, a standard flat rate service charge will be assessed for each repair (physical damage and missing parts are not included). Any repairs made after the original warranty will be warranted for an additional 90 days after service has been performed by our factory technicians. You can contact our Customer Resource Center or visit our website to verify the flat rate repair fee for your product (visit the Product Support section).

<http://www.humminbird.com>

We reserve the right to deem any product unserviceable when replacement parts are no longer available or impossible to obtain. This Service Policy is valid in the United States only. This applies only to Humminbird™ products returned to our factory in Eufula, Alabama. This Service Policy is subject to change without notice.

Returning Your Unit for Service

Before sending your unit in for repair, please contact the factory, either by phone or by email, to obtain a Repair Authorization Number for your unit. Please have your product model name and serial number available before calling the factory. If you contact the factory by e-mail, please include your product model name and factory number in the e-mail, and use Request for Repair Authorization Number for your e-mail subject header. You should include your Repair Authorization Number in all subsequent communications about your unit.

For IN-WARRANTY service, complete the following steps:

- Obtain a Repair Authorization Number from the Humminbird™ Customer Resource Center.
- Tag product with your name, street address, phone number and your assigned Repair Authorization Number.
- Include a brief written description of the problem.
- Include a copy of your receipt (to show proof and date of purchase).
- Return product freight prepaid to Humminbird™, using an insured carrier with delivery confirmation.

Downlooking Sonar

All Fishin' Buddy™ models come equipped with Downlooking Sonar which sends sound waves from the bottom of the transducer into the water directly below the transducer.

SideFinding™ Sonar

120/130/140c Fishin' Buddy™ models come equipped with SideFinding™ Sonar in addition to the Downlooking Sonar to scan where you cast and, with good accuracy, determine which echoes are from fish and which are from other objects. Fish that are startled by your boat and move away without being seen with a conventional depthfinder.

The SideFinding™ SONAR beam comes out from the flat side of the transducer housing at the bottom of the shaft which is aligned with the handle at the top of the transducer shaft. When searching for fish, make sure the handle points toward the area of your search. The handle faces the opposite direction from the transducer.

Downlooking Sonar

Your 110 Fishin' Buddy™ uses a 200 kHz Downlooking Sonar system with a 34° area of coverage. Boat speed, wave action, bottom hardness, water conditions and transducer installation can all affect depth capability.

Downlooking and SideFinding™ Sonar

Your 120, 130 and 140c Fishin' Buddy™ models use 200 kHz Downlooking Sonar and 455 kHz SideFinding™ Sonar. Downlooking and SideFinding™ Sonar is optimized to show the greatest bottom definition using the 34° 200 kHz beam yet can still indicate fish found in the SideFinding™ (109° 455 kHz beam when the SideFinding™ feature is turned on. Boat speed, wave action, bottom hardness, water conditions and transducer installation can all affect depth capability.

What You See on the Downlooking Sonar Display

The Fishin' Buddy™ displays underwater information in an easy-to-understand format. The top of the display corresponds to the water surface at the transducer, and the bottom of the display corresponds to the Depth Range automatically selected for the current water depth. The Bottom Contour varies as the depth under the boat changes. Digital readouts provide precise information for depth, fish and water temperature.

As the boat moves, terrain and bottom composition variations are displayed. Fish, baitfish and thermoclines (underwater temperature changes) are displayed when detected. Underwater conditions vary greatly, so some experience and interpretation is needed to realize all the benefits of the Fishin' Buddy™ – use the picture as a guide to the most common conditions and practice using your Fishin' Buddy™ over known bottom types.

Each shoreline has its own unique characteristics. The 100 Series™ Fishin' Buddy™ can see all the way up to the shore when the drop-off is sharp or if there are ledges. When the slope of the bottom is gentle, the Fishin' Buddy™ will not see all the way to the shoreline. The Fishin' Buddy™ can normally detect spawning fish that build beds near the shoreline. Direct experience with each shoreline will teach you the Fishin' Buddy's capabilities.

The best way to understand how your Fishin' Buddy™ "sees" is to imagine that the transducer is a flashlight and the water is clear. If you are trying to "see" into weeds, the ability of your flashlight beam to penetrate depends on the thickness of the weeds. If the weeds are thin, your flashlight beam will penetrate further. If you are trying to see past an underwater rise to view the shoreline, it is a question of how high the rise is. You can "see" the shore if you can shine your flashlight beam above the rise and illuminate the shore in the background.

Occasionally, the Fishin' Buddy® may falsely mark objects other than fish. This can occur when air bubble streams from nearby boats or air filled swim ladders. This can also occur when the Fishin' Buddy® is aimed at a cement or rock wall due to a double reflection effect. The 100 Series™ Fishin' Buddy® is designed to eliminate false readings, especially with the filter on. Due to the strength of the signal, it is possible to fool and thus, get an occasional false reading if the unit is working from a stationary, non-moving boat or a pier. The SideFinding™ filter allows the Fishin' Buddy™ to be much more selective in marking fish. Use the filter around docks and other structures in the water. The Fishin' Buddy™ will display fewer fish with the filter on.

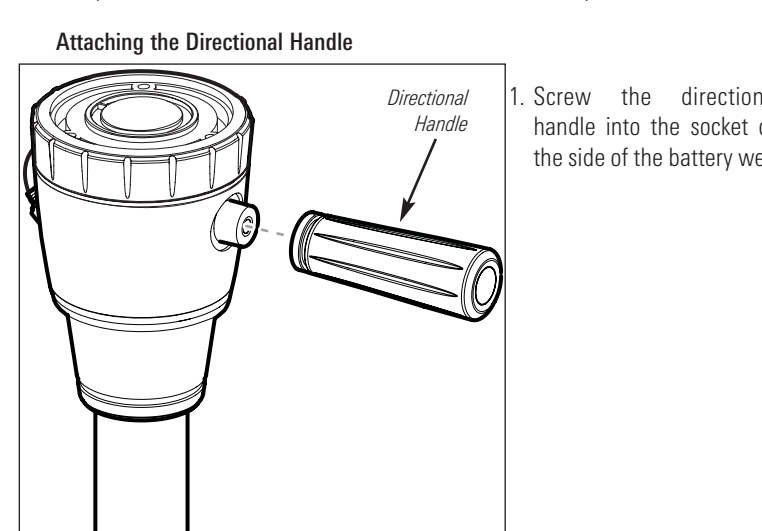
Getting Started

The Fishin' Buddy® is easy to use. The following steps summarize the installation tasks you will perform in the following sections:

1. Attaching the Directional Handle
2. Installing the Batteries
3. Attaching the Control Head to the Fishin' Buddy®
4. Connecting the Cables to the Control Head
5. Assembling and Attaching the Fishin' Buddy® Mounting Bracket to the Boat
6. Mounting the Fishin' Buddy®.

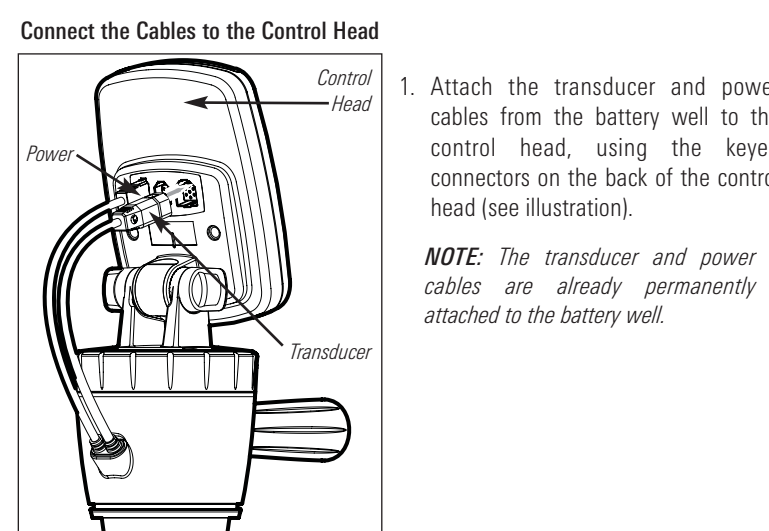
1. Attaching the Directional Handle

Use this procedure to attach the directional handle to the battery well.



4. Connecting the Cables to the Control Head

Use this procedure to attach the transducer and power cables on the battery well to the keyed connectors on the back of the control head.



NOTE: The transducer and power cables are already permanently attached to the battery well.

5. Assembling and Attaching the Fishin' Buddy® Mounting Bracket to the Boat

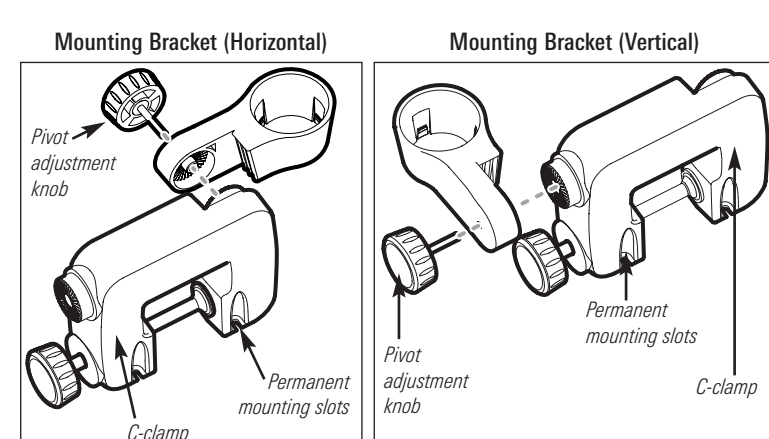
Use this procedure to assemble the Fishin' Buddy® mounting bracket, then attach it to the boat in the desired mounting location, either by using the C-clamp on the mounting bracket as a temporary mount, or by using the permanent mounting slots on the bottom of the mounting bracket to screw or bolt to the boat.

NOTE: C-clamp mounting is the most versatile and portable way to mount the Fishin' Buddy® to your boat.

The Fishin' Buddy® should be mounted where it will be most visible and accessible. Use the following information when considering a mounting location:

- The transducer will not work when it is not in the water.
- Turbulent water or water filled with air bubbles can cause interference or prevent the transducer from operating.

1. Assemble the mounting bracket as shown below, using either one of the two ratcheted mounting posts provided (see illustration), and screw on the knob. Hand tighten only!



NOTE: Each time the POWER-MENU key is pressed, the backlight momentarily illuminates for easy viewing at night. Adjust the LIGHT menu setting to keep the backlight on.

NOTE: If Simulator Mode is selected from the Start-Up Menu and a transducer is plugged in, some menu setting changes will be saved in memory even after the unit is powered down. Menu setting changes will not be saved from Simulator mode when a transducer is not connected.

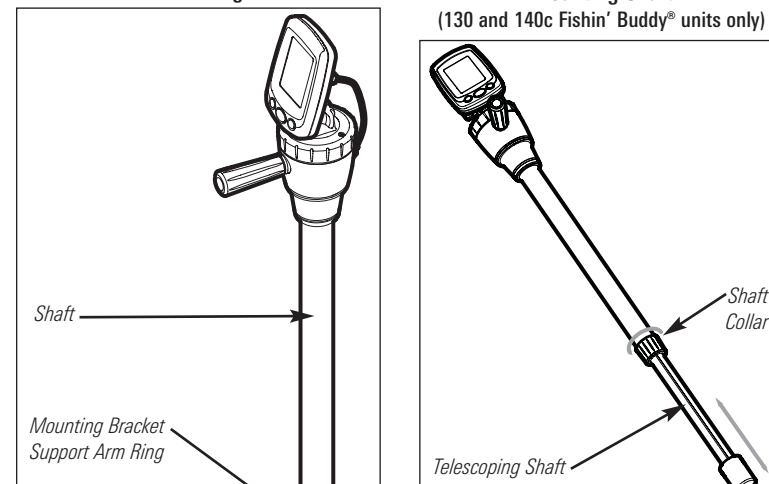
NOTE: Turning on the SetUp menu choice from the Main Menu System allows you to access additional set-up menu choices. See SetUp Menu for more information.

6. Mounting the Fishin' Buddy®

Use this procedure to mount the Fishin' Buddy®.

NOTE: When mounted, the Fishin' Buddy® transducer must be positioned so that it will be submerged when the boat is in the water.

1. Slide the Fishin' Buddy® shaft into the mounting bracket support arm ring.



You may need to adjust the mounting bracket support arm ring to keep the transducer on the bottom of the Fishin' Buddy® pointing straight down. Loosen the pivot adjustment knob and make the necessary adjustments.

If the shaft is too long, or not long enough, adjust the length by removing the Fishin' Buddy® from the mounting bracket, and unscrew the collar at the bottom of the shaft until it allows the shaft to telescope. Adjust the length of the shaft as needed, then tighten the screw collar once more. Re-mount the Fishin' Buddy® to the mounting bracket.

NOTE: Only the 130 and 140c Fishin' Buddy® units have adjustable mounting shafts. The 110 and 120 Fishin' Buddy® units have a fixed shaft length.

Press the power button and start fishing!

The Fishin' Buddy® is designed to run automatically with just a press of the power button. To get the most out of your Fishin' Buddy®, read the next section on functions and features.

NOTE: This menu item only affects the Downlooking Sonar Beam.

NOTE: This menu item only affects the Downlooking Sonar Beam.

NOTE: This menu item only affects the Downlooking Sonar Beam.

NOTE: This menu item only affects the Downlooking Sonar Beam.

NOTE: This menu item only affects the Downlooking Sonar Beam.

NOTE: This menu item only affects the Downlooking Sonar Beam.

NOTE: This menu item only affects the Downlooking Sonar Beam.

NOTE: This menu item only affects the Downlooking Sonar Beam.

NOTE: This menu item only affects the Downlooking Sonar Beam.

NOTE: This menu item only affects the Downlooking Sonar Beam.

NOTE: This menu item only affects the Downlooking Sonar Beam.

NOTE: This menu item only affects the Downlooking Sonar Beam.