

INTERPHASE

50-200 FISH FINDER

Dual Frequency 50 & 200kHz Black Box Fish Finder
CODE: B-300806

Copyright 2006 Interphase Technologies Inc.

All rights reserved. Printed in Italy. No part of this publication may be reproduced or distributed in any form or by any means, or stored in a database or retrieval system, without prior written permission of the publisher.

User Manual

Contents

Important Information	6
WARRANTY STATEMENT	6
CAUTION	6
About this User Manual	7
INTRODUCTION	7
CONVENTIONS USED	7
HOW THIS USER MANUAL IS ORGANIZED	8
IF YOU NEED ASSISTANCE	8
1. Overview	9
1.1 FISH FINDER	9
Features & Functions	9
1.2 Selecting the Fish Finder port	10
2. Fish Finder	11
2.1 UNDERSTANDING THE FISH FINDER PAGE	11
2.1.1 Understanding the Fish Finder display	12
2.2 DISPLAYING THE FISH FINDER PAGE	13
2.2.1 How to select the Fish Finder page	13
2.2.2 Fish Finder Full Display page	14
2.2.3 50/200 kHz Full Display page	15
2.2.4 Zoom Full Display page	15
2.2.5 Chart/Fish Display page	16
2.2.6 Fish Finder and Radar pages ONLY FOR CM 11CV/11 CVS+/169 CS/169 CSI	16
2.3 ZOOM MODES	17
2.3.1 The Bottom Lock Zoom	17
2.3.2 The Marker Zoom	17
2.4 INFO ON FISH FINDER: SYSTEM INFORMATION	18
2.4.1 The System Update menu	18
3. Setup your Fish Finder	19
3.1 FISH FINDER SETUP MENU	19
3.1.1 Preset Mode	19
3.1.2 Gain Mode	19
3.1.3 Range Mode	19
3.1.4 Bottom Range	19
3.1.5 Depth	20
3.1.6 Shift	20
3.1.7 Frequency	20
3.1.8 Interference Rejection	20
3.1.9 Sensitivity	20
3.1.9.1 Frequency	20
3.1.9.2 Gain	20
3.1.9.3 STC	20
3.1.9.4 STC Length	21
3.1.9.5 STC Strength	21
3.1.9.6 Surface Noise Filter	21
3.1.10 Display Setup	21
3.1.10.1 Color Settings ONLY FOR COLOR CHART PLOTTER	21
3.1.10.2 Scrolling Speed	21
3.1.10.3 White Line	21

3.1.10.4 Fish Symbols	21
3.1.10.5 Water Temperature	22
3.1.11 Transducer Setup	22
3.1.11.1 Keel Offset	22
3.1.11.2 Calibrate Sound Speed	22
3.1.11.3 Calibrate Water Speed	22
3.1.11.4 Calibrate Water Temperature	22
3.1.11.5 Calibrate Aux Temperature	22
3.1.12 Alarms	22
3.1.12.1 Shallow Water	23
3.1.12.2 Depth Water	23
3.1.12.3 Temperature Upper	23
3.1.12.4 Temperature Lower	23
3.1.12.5 Temperature Rate	23
3.1.12.6 Fish Alarm	23
3.1.13 Load Settings from User C-CARD	23
3.1.14 Save Settings to User C-CARD	23
3.1.15 Restore Current Preset Defaults	23
4. 50-200 FISH FINDER	25
4.1 TECHNICAL SPECIFICATIONS	25
4.2 DIMENSIONS	26
4.3 MOUNTING THE FISH FINDER	26
4.3.1 Installation	27
4.3.2 Installing Optional Devices	27
4.4 STATUS LED	27
4.5 EXTERNAL CONNECTIONS	28
4.6 POWER SUPPLY WIRING DIAGRAM	28
4.7 CHART PLOTTER Connection Diagram	29
5. Transducers	31
6. Frequently Asked Questions	33
Analytical Index	37

Important Information

WARRANTY STATEMENT

Interphase Technologies, Inc. warrants this unit to be free from defects in material and workmanship. During the warranty period, Interphase Technologies, Inc. will repair or replace any component which fails in normal use without charges for parts or labour. To receive warranty service, the unit must be returned to a Interphase Technologies, Inc. Authorized Warranty Service Centre, freight charges prepaid along with a copy of the original retail purchase receipt. This warranty is in lieu of all other warranties either expressed or implied.

This warranty does not apply to an Interphase product that has failed due to improper installation, misuse, or accident, nor does it apply to products which have been repaired or altered outside the Interphase factory.

Any costs incurred with transducer replacement are specifically excluded from this warranty other than the cost of the transducer itself.

THIS IS THE ONLY WARRANTY. INTERPHASE TECHNOLOGIES, INC. EXPRESSLY DISCLAIMS ANY AND ALL OTHER WARRANTIES INCLUDING WARRANTIES OF SUITABILITY OR FITNESS FOR A PARTICULAR PURPOSE. IN NO EVENT WILL INTERPHASE TECHNOLOGIES, INC. NAVIGATION SYSTEMS LTD. BE LIABLE FOR CONSEQUENTIAL DAMAGES OR LOSS OF USE. THIS WARRANTY GIVES YOU SPECIFIC LEGAL RIGHTS WHICH MAY VARY FROM STATE TO STATE.

CAUTION

- ♦ Please read through this manual before the first operation. If you have any questions, please contact the Company's customer service or your local dealer.
- ♦ The 50-200 FISH FINDER is not water proof. Please make sure to avoid water intrusion into the unit. Water damage is not covered by the warranty.
- ♦ Extensive exposure to heat may result in damage to the 50-200 FISH FINDER.
- ♦ Connection to the power source with reversed polarity will damage the 50-200 FISH FINDER severely. This damage is not covered by the warranty.
- ♦ The 50-200 FISH FINDER contains dangerous high voltage circuits which only experienced technicians MUST handle.

WARNING

- ♦ When plugging in or unplugging a transducer to the 50-200 FISH FINDER make sure power is turned off.

NOTE *We will not be liable for errors contained herein, or for incidental or consequential damages in connection with the performance or use of this material.*

About this User Manual

INTRODUCTION

The chart plotter combined with the sonar performance of the Fish Finder is one of the most advanced marine navigation system available.

Please read carefully this User Manual to learn the operating features for your unit. Refer to your chart plotter User Manual for all other unit operating instructions.

CONVENTIONS USED

Throughout this User Manual, the labelled keys are shown in capital letters enclosed in square brackets, for example [ENTER]; the software keys are shown in small capital letters enclosed in square brackets, for example [EDIT].

Menu operations are in bold characters listed by keys sequence with the menu names enclosed between inverted commas, for example **[MENU] + "SETUP" + [ENTER] + "MAP" + [ENTER]** means: press the [MENU] key, using the cursor key select the SETUP menu, press the [ENTER] key, select the Map menu and then press [ENTER].

Any menu operation and function activation in this User Manual is related to all chartplotter models (see the, following table). Whenever it is necessary, a note has been inserted for those models with differences.

CHART PLOTTER NAME	DESCRIPTION	SOFTWARE
CHART MASTER V6	<i>5.7" Sunlight Readable Color Display External Smart GPS Receiver</i>	S3egIN7vc
CHART MASTER V6i	<i>5.7" Sunlight Readable Color Display Internal GPS Receiver</i>	S3igIN7vc
CHART MASTER 7MX	<i>5.6" Gray Levels Display External Smart GPS Receiver</i>	S3egIN7m
CHART MASTER 7MI	<i>5.6" Gray Levels Display Internal GPS Receiver</i>	S3igIN7m
CHART MASTER 7CXS	<i>5.6" Sunlight Readable Color Display External GPS Receiver</i>	S3egIN7c
CHART MASTER 7CI	<i>5.6" Color Display Internal GPS Receiver</i>	S3igIN7c
CHART MASTER 169CS	<i>7" Sunlight Readable Color Display External Smart GPS Receiver</i>	S3egIN7wc
CHART MASTER 169CSI	<i>7" Sunlight Readable Color Display Internal GPS Receiver</i>	S3igIN7wc
CHART MASTER 11 CV+	<i>11" Color Display External Smart GPS Receiver & Video Input</i>	S3egIN11c
CHART MASTER 11 CVS+	<i>11" Sunlight Readable Color Display External Smart GPS Receiver & Video Input</i>	S3egIN11c

HOW THIS USER MANUAL IS ORGANIZED

- ◆ **CHAPTER 1: Overview**
Introduction to the basic information on the Fish Finder, its features and use.
- ◆ **CHAPTER 2: Fish Finder**
Helps you understand how the chart plotter is connected to the Fish Finder and how to operate to improve your fishing.
- ◆ **CHAPTER 3: Setup your Fish Finder**
Description of the Fish Finder Setup menu.
- ◆ **CHAPTER 4: 50-200 FISH FINDER**
Technical specification, dimension and installation of the 50-200 FISH FINDER and set up of the hardware configuration.
- ◆ **CHAPTER 5: Transducers**
Introduction to the basic information on the transducer (device that transmits and receives sound waves into the water).
- ◆ **CHAPTER 6: Frequently Asked Questions**

The Analytical index is at the end of this User Manual.

IF YOU NEED ASSISTANCE

If your chart plotter does not operate properly, please refer to the chart plotter User Manual.

1. Overview

The Fish Finder consists of a high power transmitter, sensitive receiver and a transducer. The Fish Finder sends an electrical pulse to the transducer which contains an element that converts the pulse into acoustic (sound) wave which is sent through the water. As this wave travels from the transducer to the bottom, it may strike fish, structures, thermal clines (temperature changes in the water). When the wave strikes an object(s) a certain amount of the wave is reflected back to the transducer depending on the composition and shape of the object. When the reflected wave is returned to the transducer it is converted into an voltage and is amplified by the receiver, processed and sent to the display. The speed of sound in water is roughly 4800 ft./sec, so the time lapse between the transmitted signal and the received echo can be measured and the distance to the object determined.

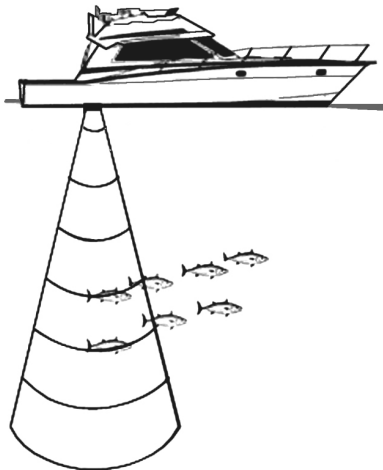


Fig. 1 - Fish Finder working principle

1.1 FISH FINDER

Features & Functions

- A-Scope (displays Sonar Echo in real time)
- 2X and 4X Zoom (capability to magnify any part of the Fish Finder display of a fixed rate)
- Full auto to manual, working preset modes (Fish, Cruise)
- Bottom Lock (capability to magnify a user defined range around the bottom)
- White Line (help distinguish between fish and bottom, when fish are swimming close to the bottom)

- STC (allows reducing or eliminating the surface clutter)
- Interference Rejection (allows reducing interference from other boats/ Fish Finders)
- Noise Filter
- Fish Symbol feature (*)
- Automatic Transducer Setup. Recognition for X_{GPS} devices (automatic transducer identification and parameters setup for best performance)
- Alarms Handling (Shallow Alarm, Depth Alarm, Fish alarm, Temperature Upper, Temperature Lower)

NOTE* *On specific software version available.*

1.2 SELECTING THE FISH FINDER PORT

If the Fish Finder is connected to the Port 2 (see Par. 4.7), follow the procedure:

- **[MENU] + "SETUP" + [ENTER] + "Input/Output" + [ENTER] + "Port 2 Input" + [ENTER] + "BBFF 50/200" + [ENTER]**

2. Fish Finder

This chapter is intended to help you understand how the chart plotter with the Fish Finder connected operates to improve your fishing.

2.1 UNDERSTANDING THE FISH FINDER PAGE

The display on chart plotters shows a history of time of the echoes received by the transducer. The chart plotters have a menu that allows adjustments to receiver sensitivity, depth range and scrolling speed of the Fish Finder display.

- ① Warning message
- ② Fish Finder Display window
- ③ Color Bar
- ④ Digital Depth
- ⑤ Water temperature
- ⑥ Alarm Bar
- ⑦ Depth ruler
- ⑧ Variable Depth Marker (VDM)
- ⑨ Zoom Bar
- ⑩ A-Scope
- ⑪ Operating Frequency

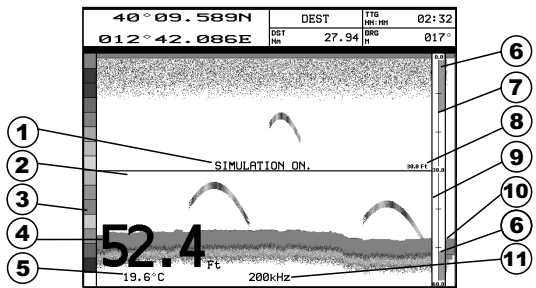


Fig. 2.1 - The Fish Finder page

The following is a short description of terms listed in the previous Fig. 2.1:

- ① **Warning Message**
Flashing label "Simulation" when the echo sounder is in Simulation mode.
- ② **Fish Finder Display**
Graphic presentation of sonar soundings recorded as a continuous profile scrolling across the screen from right to left. Such recordings represent the image of the water beneath your boat, items appear as they pass under your transducer; the items on the right side of the screen are closer to you than those on the left. The correct interpretation of the Fish Finder Display allows retrieving useful information about what is under the boat. See the following Par. 2.1.1 for more information.
- ③ **Color Bar**
Colored scale located on the left side of the screen that shows the colors used in the Fish Finder Display to represent the echoes strength. The color on the top of the bar represents the maximum sonar strength, while the color on the bottom of the bar represents the minimum sonar strength.

- ④ **Digital Depth**
Readout of the current bottom depth.
- ⑤ **Water Temperature**
Readout of the current water temperature returned by the TEMP 1 sensor included into specific transducers.
- ⑥ **Alarm Bar**
Bars showing the shallow water and deep water alarm values. The alarm is triggered when depth is outside the range.
- ⑦ **Depth ruler**
Vertical graduated bar. It is a scale which reflects the depth of the area being displayed.
- ⑧ **Variable Depth Marker (VDM)**
Horizontal line on to the Fish Finder Display with a depth label. The up/down cursor keys can move it up and down. The label displays the depth of the cursor position. It can be moved to any location pinpointing the depth of a target.
- ⑨ **Zoom Bar**
Bar showing the portion of the Fish Finder Display currently represented in the zoomed window (on the left part of the screen). It is turned on selecting Zoom Full display page.
- ⑩ **A-Scope**
A real time representation of fish and bottom features passing through the beam of the transducer. It is drawn as horizontal lines whose length and hue is proportional to the sonar strength returned. When the default palette is selected, the strongest sonar returns will be shown as the color displayed of the top of Color Bar while the weakest as the bottom color.
- ⑪ **Operating Frequency**
Readout of the selected operating frequency.

2.1.1 Understanding the Fish Finder Display

The main elements that can be easily distinguished into an Fish Finder Display are:

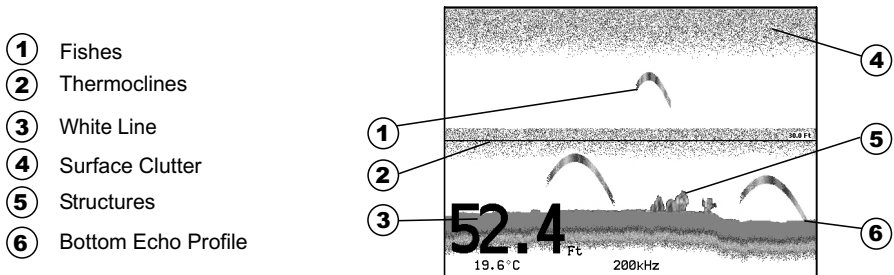


Fig. 2.1.1 - The Fish Finder Display

- ① **Fish**
Fish are represented as arcs because of the cone angle of the transducer. In fact as the boat passes over the fish the leading edge of the cone strikes the

fish, causing a display pixel to be turned on. As the boat passes over the fish, the distance to the fish decreases turning each pixel on at a shallower depth on the display. When the boat is directly over the fish, the first half of the arch is formed and since the fish is closer to the boat, the signal is stronger and the arch is thicker. As the boat moves away from the fish, the distance increases and the pixels appear at progressively deeper depths forming the remaining half of the arch.

② **Thermoclines**

Are the zones where two layers of different water temperatures meet. The greater the temperature differential, the thicker the thermocline is shown on the screen. Thermoclines are represented as horizontal stripes of noise. They are very important for fishing since often many species of game fish like to suspend in, just above, or just below the thermoclines.

③ **White Line**

The White Line shows the difference between hard, soft bottoms and even distinguishes between fish and structures located near the bottom. In this way it is easier to tell the difference between a hard and soft bottom and even to distinguish fish and structures located nearby the bottom. For example, a soft, muddy or weedy bottom returns a weaker echo that is shown with a narrow white line while a hard bottom returns a strong echo that causes a wide white bottom line.

④ **Surface Clutter**

Appears like noise at the top of the screen extending many feet below the surface. It's caused by many things, including air bubbles, bait fish, plankton and algae.

⑤ **Structures**

Generally, the term "structure" is used to identify objects like wrecks and weeds rising from the bottom.

⑥ **Bottom Echo Profile**

Bottom profile recorded by the Fish Finder. When the echo sounder is set in auto-range mode it is automatically kept in the lower half of the screen.

Other Elements

Large anchoring cables are returned by the echo sounder as very long and narrow arcs on the screen.

2.2 DISPLAYING THE FISH FINDER PAGE

This section will take you through the frequently used operations and assist you to customize the look of the chart plotter using the Fish Finder.

NOTE *The Fish Finder display page is available only if the Fish Finder is connected and powered On.*

2.2.1 How to select the Fish Finder page

The Page Selection menu allows you to change the Fish Finder page displayed. To access this menu:

- [PAGE]

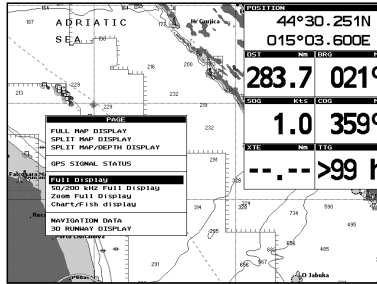


Fig. 2.2.1 - Page Selection menu

The menu now shows four selections related to the Fish Finder, **Full Display**, **50/200kHz Full Display**, **Zoom Full Display** and **Chart/Fish display**. Move the cursor to select the desired item and then press **[ENTER]**.

NOTE When the Radar* is connected, two other displaying pages are available too, **Radar/FF** and **Radar/FF/Chart/Nav Data**. See the Radar* User Manual for more information.

(*) ONLY FOR CM 11CV+/11CVS+/169 CS/169 CSI

2.2.2 Fish Finder Full Display page

To display the Fish Finder Full Page Display, follow this procedure:

- **[PAGE] + "Full Display" + [ENTER]**

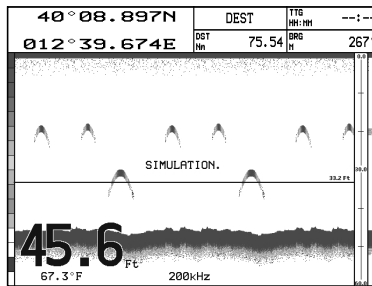


Fig. 2.2.2 - The 200kHz Fish Finder Full Display

NOTE The frequency displayed depends on the selection done in the Frequency item (see Par 3.1.9).

The MENU key

Pressing **[MENU]** activates the Fish Finder Setup menu (see Par. 3.1). Pressing **[MENU]** subsequent times toggles between the Fish Finder Setup menu and the Main menu.

The Cursor key

Moving the Cursor key up/down adjusts the Variable Depth Marker (VDM) up or down on the screen.

The ENTER key

Pressing **[ENTER]** activates the Sensitivity menu (see Par. 3.1.1) that allows tuning the Gain, the Noise Threshold and the STC.

SENSITIVITY	
GRAIN	000 %
STC	OFF
STC LENGTH	00 Ft
STC STRENGTH	000 %
SURF NOISE FILTER	OFF

Fig. 2.2.2a - Sensitivity sub-menu

Pressing **[CLEAR]** turns off the Sensitivity menu.

The CLEAR key

By pressing **[CLEAR]** the Variable Depth Marker (VDM) is hidden.

The ZOOM IN and ZOOM OUT keys

From this page pressing **[ZOOM IN]** once changes to Zoom 2X, pressing **[ZOOM IN]** twice changes to Zoom 4X, while pressing **[ZOOM OUT]** reverts to Zoom 2X and no zoom.

2.2.3 50/200 kHz Full Display page

To display the Fish Finder Dual Display, follow this procedure:

- **[PAGE] + "50/200 kHz Full Display" + [ENTER]**

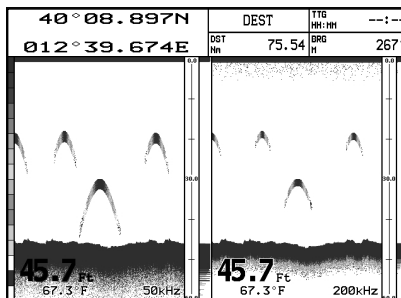


Fig. 2.2.3 - Fish Finder Dual Frequency mode

The Cursor key

Moving the cursor to the right or the left moves the Variable Depth Marker (VDM) between the 50 and 200kHz displays. Moving the cursor up or down will move the VDM up and down. Press **[CLEAR]** to hide the VDM.

The ZOOM IN and ZOOM OUT keys

From this page pressing **[ZOOM IN]** once changes to Zoom 2X, pressing **[ZOOM IN]** twice changes to Zoom 4X, while pressing **[ZOOM OUT]** reverts to Zoom 2X and no zoom.

2.2.4 Zoom Full Display page

To display the zoomed Fish Finder page on the left half of the screen and the unzoomed Fish Finder Display on the right half of the screen, follow this procedure:

- **[PAGE] + "Zoom Full Display" + [ENTER]**

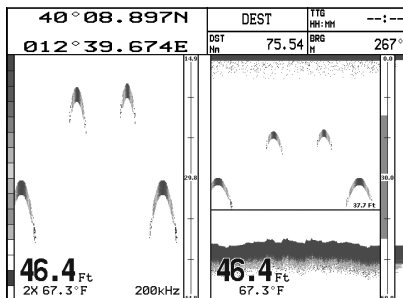


Fig. 2.2.4 - Fish Finder Zoom Page

The Depth Cursor is shown only on the unzooed Fish Finder Display.

The ZOOM IN and ZOOM OUT keys

From this page pressing **[ZOOM IN]** changes to Zoom 4X, pressing **[ZOOM OUT]** changes to Zoom 2X.

2.2.5 Chart/Fish Display page

To display the Chart page on the left half of the screen and the Fish Finder Display on the right half of the screen, follow this procedure:

- **[PAGE] + "Chart/Fish Display" + [ENTER]**

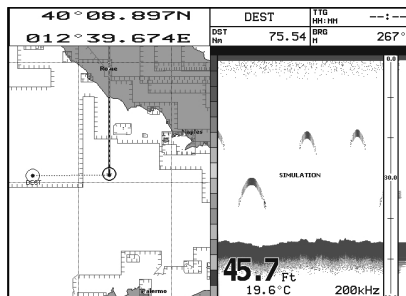


Fig. 2.2.5 - Fish Finder Chart/Fish page

The MENU key (to change the active window)

When in Chart/Fish mode pressing **[MENU]**:

- ♦ if the focus (the active window) is on the Chart, the Main menu is shown. Pressing again **[MENU]** opens the Fish Finder Setup menu and moves the focus to the Fish Finder.
- ♦ if the focus (the active window) is on the Fish Finder, the Fish Finder Setup menu is shown. Pressing again **[MENU]** opens the Main menu and moves the focus to the Chart.

NOTE When the focus is on the Chart, all keys behave as in standard chart mode.

2.2.6 Fish Finder and Radar pages ONLY FOR CM 11CV/11 CVS+/169 CS/169 CSI

To display the Radar page on the left half of the screen and the Fish Finder Display on the right half of the screen, follow this procedure:

- **[PAGE] + "Radar/FF" + [ENTER]**

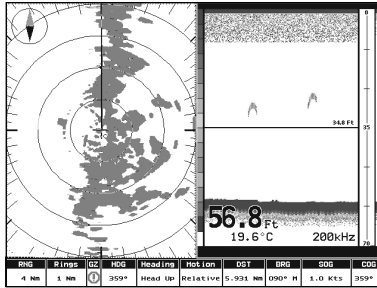


Fig. 2.2.6 - Radar/FF page

Otherwise to display the Radar and Fish Finder Combo pages, follow this procedure:

- **[PAGE] + "Radar/FF/Chart/Nav Data" + [ENTER]**

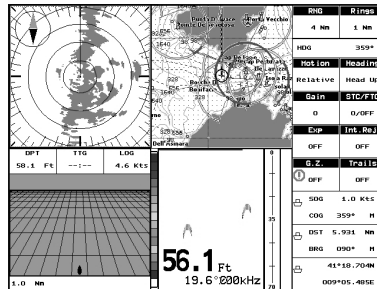


Fig. 2.2.6a - Combo page

When in Split/Combo pages, the active view is highlighted by a focus (Yellow frame). The keyboard commands are related to that focused view. To move the focus press **[MENU]** twice.

2.3 ZOOM MODES

2.3.1 The Bottom Lock Zoom

The Bottom Lock Zoom mode is activated when the Fish Finder is in Auto Range or Bottom Lock mode (see Par. 3.1.3) and the Variable Depth Marker (VDM) is not displayed on the screen.

In Bottom Lock Zoom mode the Fish Finder Display is automatically moved up/down as to keep the Bottom Line always visible in the lower half of the screen.

NOTE *Moving the Cursor key up/down displays the Variable Depth Marker (VDM) switching the Fish Finder in Marker Zoom mode.*

2.3.2 The Marker Zoom

The Marker Zoom mode is activated either when the Fish Finder is in Manual Range mode (see Par. 3.1) or the Depth Cursor is displayed on the screen.

In Marker Zoom mode the Fish Finder Display position is controlled by moving the Variable Depth Marker (VDM) and pressing and holding **[ENTER]** for 1 second on the selected position. Moving the Variable Depth Marker (VDM) over the top or

below the bottom of the screen, automatically moves up/down the current zoomed Fish Finder Display view and re-position the Variable Depth Marker (VDM) at the center of the screen.

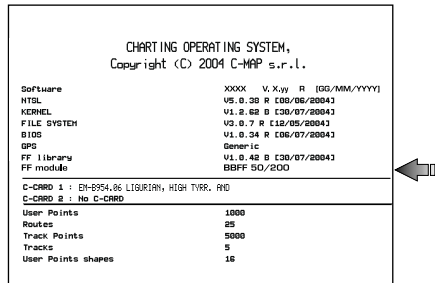
NOTE Pressing **[CLEAR]** hides the Depth Cursor and if the Fish Finder is in Auto Range or Bottom Lock mode switches into Bottom Lock Zoom mode.

2.4 INFO ON FISH FINDER: SYSTEM INFORMATION

If you want to know information about the Fish Finder connected, follow the procedure:

➤ **[MENU] + "SETUP" + [ENTER] + "SYSTEM INFORMATION" + [ENTER]**

A window will be shown with the desired information on the Fish Finder Library row and on the Fish Finder module row.



CHARTING OPERATING SYSTEM, Copyright (C) 2004 C-MAP s.r.l.	
Software	XXXX V. X.YY R (GG/MM/YYYY)
HYDL	V1.0.38 R (30/06/2004)
KERNEL	V1.0.62 B (30/07/2004)
FILE SYSTEM	V2.0.7 R (18/05/2004)
BIOS	V1.0.34 R (06/07/2004)
GPS	Generic
FF Library	V1.0.42 B (30/07/2004)
FF module	BBFF 50/200
C-CARD 1 : EH-954.06 LIBRARY, HIGH TVR, AND	
C-CARD 2 : No C-CARD	
User Points	1000
Routes	25
Track Points	5000
Tracks	5
User Points shapes	16

Fig. 2.4 - System Information page

2.4.1 The System Update menu

The System Update menu allows downloading the Fish Finder firmware into the Fish Finder device. To select this menu follow the procedure:

➤ **[MENU] + "SETUP" + [ENTER] + "SYSTEM INFORMATION" + [ENTER] + [MENU] + "Update BBFF Firmware" + [ENTER]**

The current Fish Finder firmware version is shown in the System Update window that appears on the screen.

Insert the C-CARD with the firmware in one of the chart plotter available slots, and the press **[ENTER]** to update. Now select "YES" and press **[ENTER]** to confirm.

WARNING

Turn Off and after a few seconds turn On the 50-200 FISH FINDER in case of failed firmware upload.

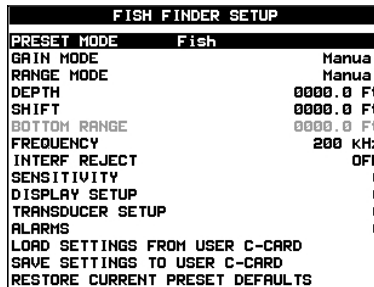
3. Setup your Fish Finder

3.1 FISH FINDER SETUP MENU

The Fish Finder Setup menu provides access to additional functions, setup and layout/data field options.

From the Fish Finder page, access this menu by pressing:

➤ [MENU]



FISH FINDER SETUP	
PRESET MODE	Fish
GAIN MODE	Manual
RANGE MODE	Manual
DEPTH	0000.0 Ft
SHIFT	0000.0 Ft
BOTTOM RANGE	0000.0 Ft
FREQUENCY	200 kHz
INTERF REJECT	OFF
SENSITIVITY	➤
DISPLAY SETUP	➤
TRANSDUCER SETUP	➤
ALARMS	➤
LOAD SETTINGS FROM USER C-CARD	
SAVE SETTINGS TO USER C-CARD	
RESTORE CURRENT PRESET DEFAULTS	

Fig. 3.1 - Fish Finder Setup menu

3.1.1 Preset Mode

Allows applying the following Fish Finder operating mode presets Fish and Cruise. See the following table.

➤ [MENU] + "PRESET MODE" + [ENTER]

Fish	: Gain Mode = Auto, Range Mode = Auto, Frequency = do not change, Shift = 0, STC = Short if Freq=200kHz and Mid if Freq=50kHz, Scrolling Speed = 10, Fish Symbols = Echo, A-Scope = On, Surface Noise Filter = Off.
Cruise	: Gain Mode = Auto, Range Mode = Auto, Frequency = do not change, Shift = 0, STC = Short if Freq=200kHz and Mid if Freq=50kHz, Scrolling Speed = 10, Fish Symbols = Echo, A-Scope = On., Surface Noise Filter = 4..

3.1.2 Gain Mode

Selects Auto or Manual.

➤ [MENU] + "GAIN MODE" + [ENTER]

3.1.3 Range Mode

Selects among Manual, Auto Range and Bottom Lock. When in **Manual Range Mode** it is possible to set Shift (the offset from the surface) (see Par. 3.1.6) and Depth (see Par. 3.1.5) on which the Fish Finder shall operate. When in **Auto Range Mode** the Fish Finder determines automatically the range as to keep the bottom visible in the lower left of the screen. In this mode, Shift is always set to 0. In **Bottom Lock Mode** the Fish Finder automatically tracks the range around the bottom specified by the Bottom Range value.

➤ [MENU] + "RANGE MODE" + [ENTER]

3.1.4 Bottom Range

Shows the max depth to reach. This option is available when Range Mode is

Bottom Lock.

- [MENU] + "BOTTOM RANGE" + [ENTER]

3.1.5 Depth

This option is available only when Range Mode is Manual and it is disabled in Auto Range and Bottom Lock Mode.

- [MENU] + "DEPTH" + [ENTER]

3.1.6 Shift

Shows the depth from which start the bottom scanning. This option is available only when Range Mode is Manual and it is disabled in Auto Range and Bottom Lock Mode.

- [MENU] + "SHIFT" + [ENTER]

NOTE *The Bottom Range, Depth, Shift will apply to the currently selected frequency.*

3.1.7 Frequency

Allows you to choose the frequency among Auto, 50 kHz or 200 kHz when single frequency page is selected.

- [MENU] + "FREQUENCY" + [ENTER]

3.1.8 Interference Rejection

elects a filter to remove interference from other Fish Finders.

- [MENU] + "INTERFER REJECT" + [ENTER]

3.1.9 Sensitivity

The Sensitivity menu is accessible both from the Fish Finder Setup menu and by pressing [ENTER] when in Fish Finder pages. All settings in the Sensitivity menu are related to the Frequency selected.

- [MENU] + "SENSITIVITY" + [ENTER]

SENSITIVITY	
GAIN	000 %
STC	OFF
STC LENGTH	00 Ft
STC STRENGTH	000 %
SURF NOISE FILTER	OFF

Fig. 3.1.12 - Fish Finder Sensitivity menu

NOTE *The Frequency value is only displayed: to select the desired frequency see the previous Par. 3.1.11 .*

3.1.9.1 Frequency

This option is available only in the Dual Frequency page. It allows you to select the Frequency to which the Sensitivity parameters are applied.

3.1.9.2 Gain

Allows you to control the Gain of the unit's receiver. To see more details on the screen, increase the receiver sensitivity by selecting a higher gain percentage. If there is too much detail or if the screen is cluttered, lowering the sensitivity may increase the clarity of the display.

3.1.9.3 STC

Sensitivity Time Constant: it is a time varying gain curve which attenuates the sonar receiver gain in shallow water, increasing the gain gradually as the depth

increases. This is for the purpose of filtering out surface clutter.

3.1.9.4 STC Length

If STC is Custom, it is possible to change the Length of the Sensitivity Time Constant.

3.1.9.5 STC Strength

If STC is Custom, it is possible to change the Strength of the Sensitivity Time Constant.

3.1.9.6 Surface Noise Filter

This function implements an advanced time varying filter that allows suppressing the surface clutter efficiently while leaving fish targets visible.

NOTE *Thus imposing the capability of the Fish Finder to correctly detect the weakest echoes coming from a very deep bottom.*

3.1.10 Display Setup

The Display Setup Menu allows you to change the color scheme of the Fish Finder display, adjusts the chart scrolling rate, enables or disables the White Line and allows determining the graphical representation of fish.

➤ [MENU] + "DISPLAY SETUP" + [ENTER]

DISPLAY SETUP	
COLOR SETTINGS	White Background
SCROLLING SPEED	000 %
WHITE LINE	OFF
FISH SYMBOLS	Echo
WATER TEMPERATURE	Primary

Fig. 3.1.10 - Fish Finder Display Setup menu

3.1.10.1 Color Settings ONLY FOR COLOR CHART PLOTTER

Allows you to change the color scheme of the Fish Finder display. The available colors are Blue Background, White Background, Black Background, Gray Scale and Reversed Gray Scale.

NOTE *Only Gray Scale and Reversed Gray Scale are available on the 11" Gray Levels chart plotters.*

3.1.10.2 Scrolling Speed

Adjusts the chart scrolling rate. Note that the scrolling rate is limited by the sound speed and the depth according with the following relation: the deeper the setting, the slower the scrolling rate. 100% is the maximum possible.

3.1.10.3 White Line

Controls how the chart plotter displays information about the bottom type (hard or soft).

3.1.10.4 Fish Symbols

This selection allows determining the graphical representation of underwater suspended targets. See the following table.

Echo	: shows echoes
Echo + Icon	: shows the Fish icon and echoes
Echo + Icon + Depth	: shows the Fish icon, depth values and the fish echoes
Echo + Depth	: shows depth values

Icon : shows Fish icons

Icon + Depth : shows Fish icons and their depth (accordingly to currently selected depth unit)

The Fish icons displayed are among four different shapes depending on the size of the Target (Small, Med, Big, Huge).

3.1.10.5 Water Temperature

Allows you to choose the Water Temperature label displayed over the Fish Finder Display between Primary and External.

- [MENU] + "WATER TEMPERATURE" + [ENTER]

3.1.11 Transducer Setup

The Transducer Setup menu contains settings that does not require frequent changes.

- [MENU] + "TRANSDUCER SETUP" + [ENTER]

KEEL OFFSET	+00.0 F
CALIBRATE SOUND SPEED	000.00 %
CALIBRATE WATER SPEED	000 %
CALIBRATE WATER TEMP	+00.00 °C
CALIBRATE AUX TEMP	+00.00 °C
SET DEFAULT SETTINGS	

Fig. 3.1.11 - Fish Finder Transducer menu

3.1.11.1 Keel Offset

It is the transducer depth offset from the surface. This makes it possible to measure depth from the surface instead of from the transducer's location.

3.1.11.2 Calibrate Sound Speed

Allows calibrating the value of Sound Speed in the water, depending on the water temperature and salinity.

3.1.11.3 Calibrate Water Speed

Allows calibrating the value of Water Speed sensor. The calibration value, in the range between -10% to +10%, will be applied to the water speed from the transducer.

3.1.11.4 Calibrate Water Temperature

Allows the calibration on the Water Temperature sensor. Using the readings from a precise temperature measuring device, insert here a positive/negative offset to display right value on Fish Finder screens.

3.1.11.5 Calibrate Aux Temperature

Allows the calibration of the Aux Temperature sensor. Using the readings from a precise temperature measuring device, insert here a positive/negative offset to display right value on FF screens.

3.1.12 Alarms

The Alarms menu allows you to define additional sonar alarm settings for Fish Alarm, Shallow Alarm, Depth Alarm and Temperature Upper/Lower/Rate.

- [MENU] + "ALARM" + [ENTER]

SHALLOW ALARM	OFF
DEEP WATER ALARM	OFF
TEMP UPPER	OFF
TEMP LOWER	OFF
TEMP RATE	OFF
FISH ALARM	OFF

Fig. 3.1.12 - Fish Finder Alarms menu

3.1.12.1 Shallow Water

Triggers an alarm when depth becomes shallower than the value set.

3.1.12.2 Depth Water

Triggers an alarm when depth becomes deeper than the value set.

3.1.12.3 Temperature Upper

Triggers an alarm when the transducer reports a temperature (from TEMP 1 sensor) above the value set.

3.1.12.4 Temperature Lower

Triggers an alarm when the transducer reports a temperature (from TEMP 1 sensor) below the value set.

3.1.12.5 Temperature Rate

Triggers an alarm when the transducer reports a temperature (from TEMP 1 sensor) variation rate above the value set.

3.1.12.6 Fish Alarm

The options for Fish Alarm set the size of the fish that, if detected by the unit, switches an alarm to sound. These options are: Off, Small, Medium, Big and Huge. The alarm sounds if the set size (or bigger) is detected.

3.1.13 Load Settings from User C-CARD

Load the complete settings from the User C-CARD and changes the active menu settings.

Insert the User C-CARD into the slot, then follow the procedure:

- [MENU] + "LOAD SETTINGS FROM USER C-CARD" + [ENTER]

3.1.14 Save Settings to User C-CARD

This is useful to avoid the user having to retune up Radar after a Clear RAM operation or a software update.

Insert the User C-CARD into the slot, then follow the procedure:

- [MENU] + "SAVE SETTINGS TO USER C-CARD" + [ENTER]

3.1.15 Restore Current Preset Defaults

This option restores the default values only for the current presets (see Par. 3.1.1, Preset Mode) and does not affect the other presets. Follow the procedure:

- [MENU] + "RESTORE CURRENT PRESET DEFAULTS" + [ENTER]

A confirmation window is shown. Select "YES" and press [ENTER] again.

4. 50-200 FISH FINDER

This chapter provides instructions to assist in planning the installation of the 50-200 FISH FINDER.

4.1 TECHNICAL SPECIFICATIONS

- ◆ Display Colors : 16 colors on color chart plotter or 16 gray levels on gray levels chart plotter
- ◆ Display Vertical Resolution : up to 400 pixels (depending on chart plotter screen resolution)
- ◆ Power Requirements : 10 - 35 Volt dc
- ◆ Over Voltage protection
- ◆ Reverse Polarity protection
- ◆ Power Consumption - operating: 17W max
- ◆ Power Consumption - stand by : 1.7W max
- ◆ Operating Frequency : Dual 50 and 200kHz
- ◆ Output Power : 500/1000W (4000/8000Wpp)
- ◆ Depth Range*
 - 1KW/200kHz : 2.5Ft (0.76m) to 1200Ft (366m)
Max Typical = 980Ft (299m)
 - 1KW/50kHz : 5Ft (1.52m) to 4000Ft (1219m)
Max Typical = 2700Ft (823m)
 - 500W/200kHz : 2.5Ft (0.76m) to 700Ft (213m)
Max Typical = 600 Ft (183m)
 - 500W/50kHz : 5Ft (1.52m) to 1500Ft (457m)
Max Typical = 1350 Ft (411m)

NOTE* *This is not a guaranteed specification. The actual maximum depth capability of the system depends on the type of transducer fitted, the reflectivity of the bottom, water condition, etc.*

- ◆ Status LED
- ◆ External Buzzer : 12VDC, 400mA
- ◆ Speed Sensor : if available on transducer
- ◆ Temperature Sensor : one channel TEMP1 (if available on transducer), optional second channel TEMP2
- ◆ NMEA Output sentences : Depth: \$SDDBT, \$SDDBT
Speed: \$VWVHW
Trip Log: \$VWVLW
Water Temperature: \$YXMTW
TEMP2 Temperature: \$YXXDR
- ◆ Operating temperature range : 0C to +50C
- ◆ Storage temperature range : -20C to +70C
- ◆ Weight : 1 kg (2,20 LBS)
- ◆ Water Proof Specification : IP 54
- ◆ Case Size : 7.62" (193.30mm) x 6.87"
(174.30mm) x 2.19" (55.50mm)

When the package containing the 50-200 FISH FINDER is first opened, please check it for the following contents (if any parts are missing contact the dealer the 50-200 FISH FINDER was purchased from):

- 50-200 FISH FINDER (with Power Serial and optional devices cables already connected)
- User Manual

4.2 DIMENSIONS

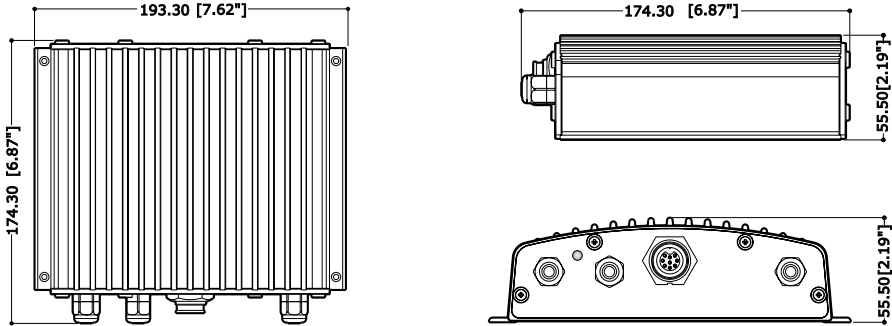


Fig. 4.2 - 50-200 FISH FINDER Dimensions

4.3 MOUNTING THE FISH FINDER

The 50-200 FISH FINDER should be preferably mounted in a dry and well ventilated location. Do not mount it where it will be submerged in liquids or exposed to high temperature.

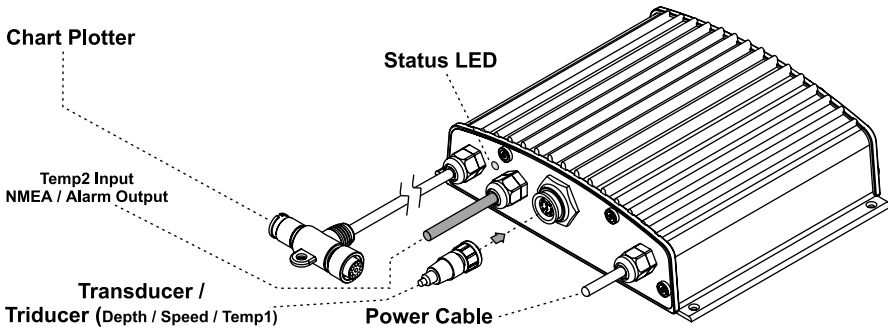


Fig. 4.3 - The 50-200 FISH FINDER

4.3.1 Installation

Picture showing actual example of the 50-200 FISH FINDER installation.

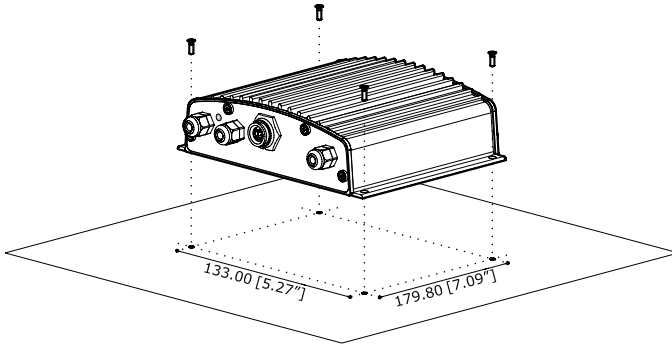


Fig. 4.3.1 - The 50-200 FISH FINDER Installation

- ◆ Fix the 50-200 FISH FINDER to the mounting location using the four screws (holes diameter 4 mm), see Fig. 4.3.2.
- ◆ Route the CHART PLOTTER cable to the chart plotter.
- ◆ Mount the transducer according to the instructions provided with it.
- ◆ Connect the POWER cable to the battery. Please be advised that the 50-200 FISH FINDER when not operating will remain in Stand-By mode.

4.3.2 Installing Optional Devices

See the External Connection diagram.

4.4 STATUS LED

There are seven different LED behaviors, representing seven different diagnostic conditions. These are described below.

- ◆ OFF
The 50-200 FISH FINDER is running in the boot loader, or DC power is not being supplied to the 50-200 FISH FINDER.
- ◆ ON, CONTINUOUSLY
The transducer is not connected to the chart plotter or problem with cable of the transducer cable.
- ◆ 1 long flash every 2 seconds
The 50-200 FISH FINDER is not connected with the chart plotter.
- ◆ 1 short flash every 2 seconds
The 50-200 FISH FINDER is connected to the chart plotter and is operating correctly.
- ◆ 2 short flashes every 2 seconds
The 50-200 FISH FINDER is not operating as it is waiting for a command from the chart plotter.
- ◆ 3 short flashes every 2 seconds
A transducer (without transducer ID) has been connected.
- ◆ 4 short flashes every 2 seconds:
No transducer connected.

4.5 EXTERNAL CONNECTIONS

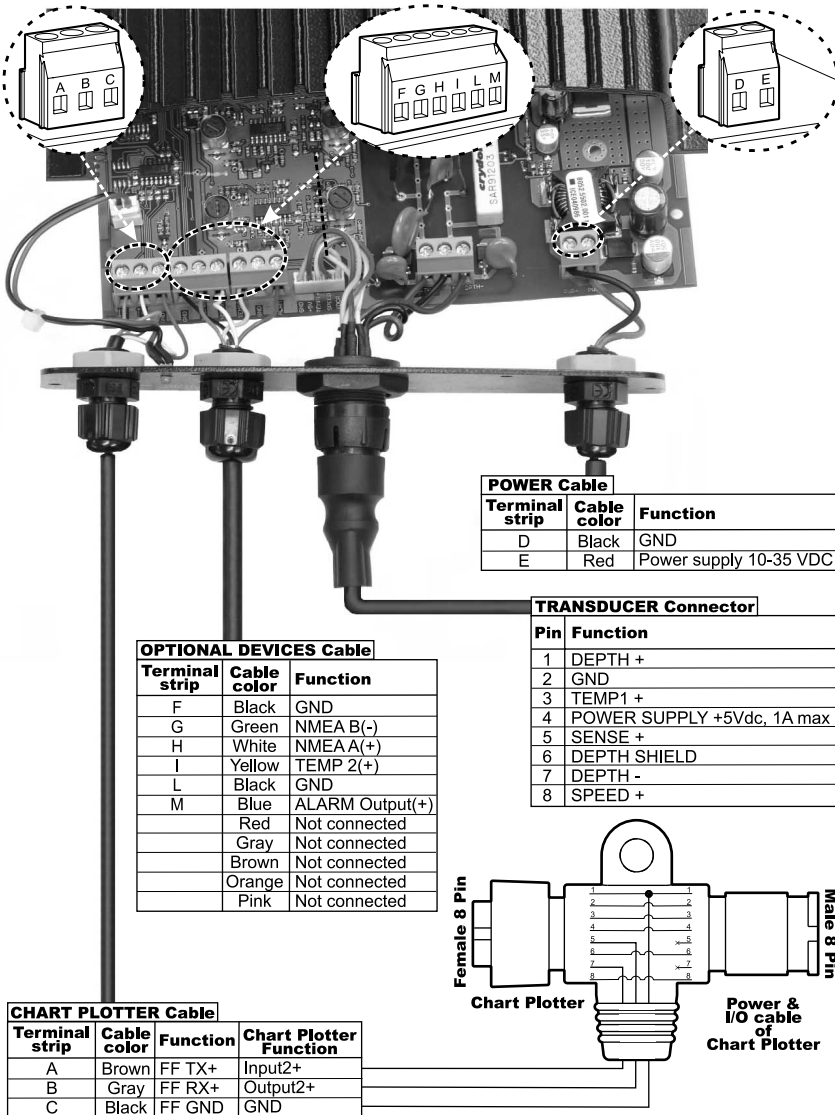


Fig. 4.5 - 50-200 FISH FINDER External Wiring

4.6 POWER SUPPLY WIRING DIAGRAM

We recommended the installation of a switch and a (5A) fuse in the positive DC supply to the 50-200 FISH FINDER. The 50-200 FISH FINDER is active sending the digital depth through the NMEA interface even when the power (chart plotter) is turned off, thus the need for a switch.

In the example below you will notice the positive DC power connection is run through a switch and a fuse before connecting it to the 50-200 FISH FINDER and the chart plotter.

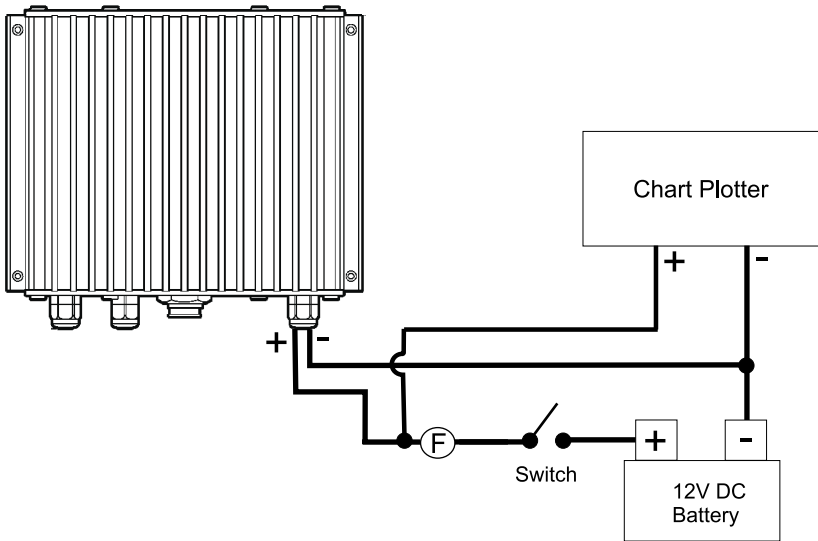


Fig.4.6 - The 50-200 FISH FINDER Power Connection

4.7 CHART PLOTTER CONNECTION DIAGRAM

If the chart plotter has a quick disconnect bracket (see the chart plotter User Manual) see the following picture to make the connection to the chart plotter:

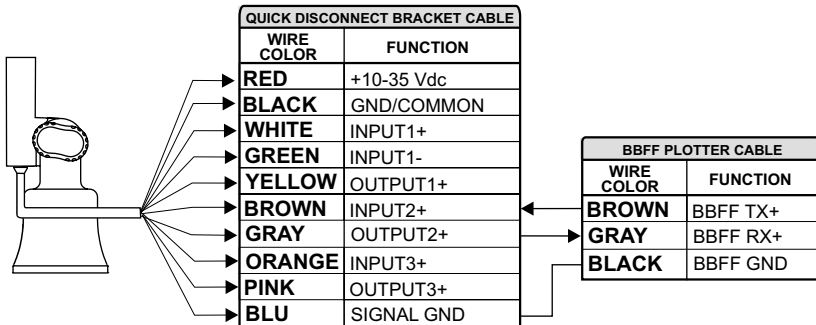


Fig.4.7 - Connection to the Fish Finder for chart plotter with quick disconnect bracket

If the chart plotter has a 8 pin Power & I/O connector see the following picture:

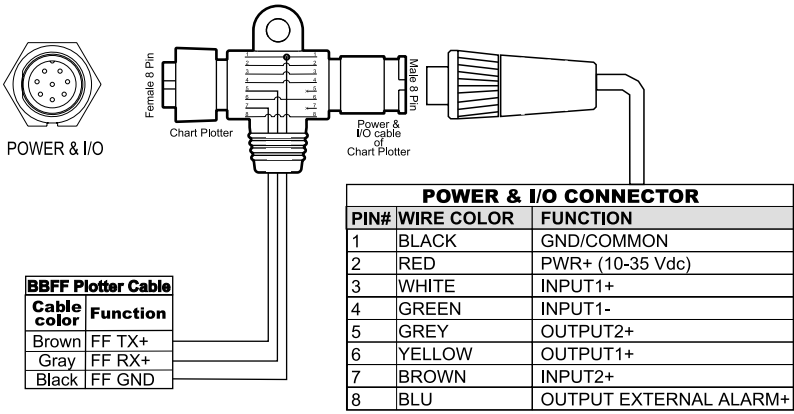


Fig.4.7a - Connection to the Fish Finder for chart plotter with 8 pin Power & I/O connector

5. Transducers

The transducer is a device that transmits and receives sound waves into the water. The active component inside the transducer is commonly referred to as an element but actually is a piezoelectric ceramic material.

Please refer to your dealer and/or installer to choose your transducer. Interphase suggest **AIRMAR** transducers.

6. Frequently Asked Questions

6.1 How can I disconnect the cables from the 50-200 FISH FINDER in case I need to do so for the installation?

- ♦ Open the 50-200 FISH FINDER box unscrewing the four screws (see the following figure).

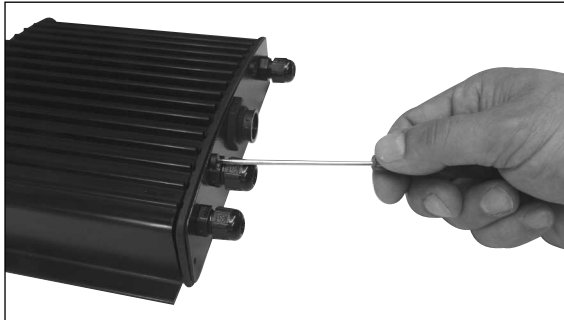


Fig. 6.1 - The 50-200 FISH FINDER (I)

- ♦ Once the screws are removed, pull out the panel and the Printed Circuit Board (PCB). Unscrew the cables from the PCB.

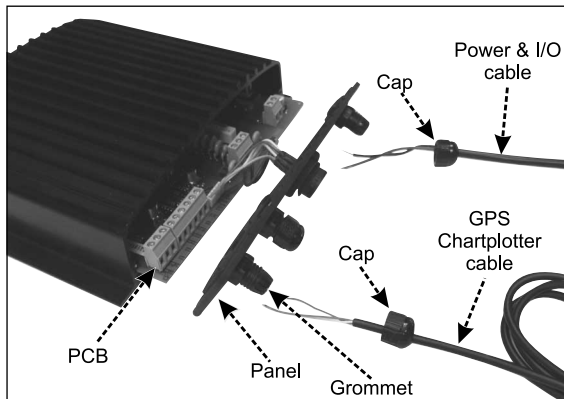


Fig. 6.1a - The 50-200 FISH FINDER (II)

- ♦ Wire the cables as needed.
- ♦ Reconnect the cables to the PCB (see the Fig. 4.5 for reference).
- ♦ Push the panel towards the case (be sure to have well positioned the rubber gasket). Close the 50-200 FISH FINDER box screwing the four screws.

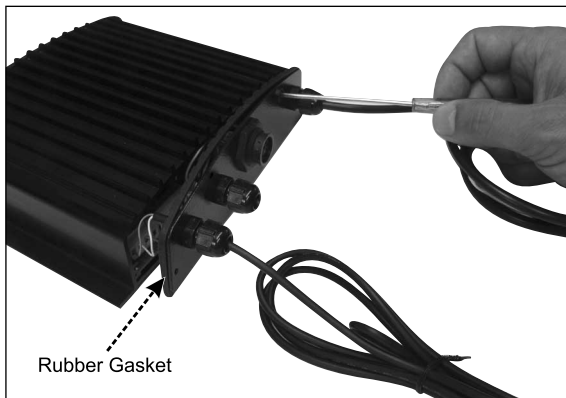


Fig. 6.1b - The 50-200 FISH FINDER (III)

6.2 How can I set optimal operating parameters.

Optimal operating parameters can be set accordingly with the intended use of the Fish Finder, anyway to quickly get optimal operational parameters for fishing it is possible to select the FISH preset from the Fish Finder Setup menu, while for cruising it is possible to select the CRUISE preset.

6.3 What are preset modes?

Preset modes are pre-defined settings of the Fish Finder operating parameters. You can use them to quickly set the Fish Finder in the most commonly used operating modes. These are:

- ♦ CRUISE: sets the Fish Finder in full auto mode with the sensitivity settings (GAIN OFFSET, NOISE level and STC) optimized for displaying at best the bottom.
- ♦ FISH: sets the Fish Finder in full auto mode with the sensitivity setting optimized for target searching.

6.4 How can I restore the Fish Finder default operating parameters?

Simply select the CRUISE or the FISH preset. This will restore optimal operating parameters for either cruising or fishing.

6.5 Can I always leave the Fish Finder in Full Auto/(auto gain and auto range) mode?

Yes, but note that the full auto mode suits the 90% of the cases, however in extreme situations the auto modes may fail and thus it is necessary to switch to the Manual mode.

6.6 What are extreme situations in which auto modes may fail?

When the bottom is very deep, at high boat speed, when the bottom is very shallow (< 5 feet), when the water is full of materials in suspension, with bad sea conditions.

6.7 What should I do if the auto modes fail?

Failure of auto modes can happen for various reasons. Hereafter you can find a range of possibilities.

6.8 Auto-range fails in very shallow waters displaying a digital depth readout deeper than the actual value. What should I do?

This usually happens if the STC is set to LONG or MID and the bottom is shallow or SHORT if the bottom is very shallow causing the auto-range to hook to the second or third echo from the bottom (since in shallow waters the sound bounces more times back and forth the surface to the bottom). Try decreasing the STC value to SHORT in shallow waters or to switch it to VERY SHORT or OFF.

6.9 Auto range fails, and the digital depth readout displays a very shallow reading. What should I do?

This usually happens if the STC is off or is set to a low value causing disturbs from surface clutter to be stronger than bottom echoes. Try increasing the STC value. As general rule STC has to be set as in shallow waters and LONG in depth waters.

6.10 Auto-range fails in very deep waters displaying a digital very shallow depth readout. What should I do?

The Fish Finder capability to detect the bottom decreases as the bottom depth increase. If the bottom composition is soft as mud, if the sea conditions are bad, if there are thermoclines or the water is full of materials in suspension it can further decrease thus causing the digital depth readout to fail. When this happens the auto-range algorithm also fails. To recover from this situation it is necessary to switch to manual range mode and to set the manual depth mode. When manual depth mode is selected the algorithm that calculates the digital depth readout searches for the bottom within the range manually selected by the user. At this point it is necessary to increase manually the range until the bottom becomes graphically visible. If the echoes from the bottom are strong enough, the Fish Finder shall look to the bottom giving a correct depth reading and shall be possible to return in auto range mode. Please note that if one or more of the conditions that reduce the echoes from the bottom listed above is true the bottom may be not visible at all, in this situation a strong thermocline or surface clutter may be interpreted by the Fish Finder as the bottom.

6.11 At a very shallow range upper half of the screen appears almost completely filled by the surface clutter. How can I eliminate it?

This is normal in shallow waters. To clean up the surface clutter without degrading the digital depth readout algorithm functionality there are two modes: 1) if Surface Declutter = OFF, it is possible to set the STC value to custom setting the STC length to the same size of the surface clutter, and increasing the STC strength until the image on the screen cleans up. Please note that in very shallow waters it is usually better to switch to manual gain mode to reduce gain fluctuation due to rapidly changing bottom conditions. 2) Using Surface Declutter, increase the SD value until the surface declutter disappears completely.

6.12 Why do I never see fish in the range between 0 to 0.7 meters?

The minimum range of the fish finder is 0.7 meters. In this interval the Fish Finder can detect neither the bottom nor any target.

6.13 How can I reduce the surface clutter?

You can act by: properly setting the STC as described at 6.12 and also by increasing the NOISE LEVEL and reducing the GAIN or the GAIN OFFSET (if you are in auto gain mode). However please note that a strong attenuation of surface clutter may also reduce the capability to detect targets.

6.14 The Fish Finder is in auto gain mode but the picture display too many small targets, what shall I do to reduce the screen clutter?

Try increasing the NOISE LEVEL or decreasing the GAIN OFFSET.

6.15 In very shallow waters when the AUTO GAIN mode is selected there are fluctuations in the bottom profile width and its color representation. What should I do?

In very shallow waters the environment situation (bottom/water condition) vary very quickly thus causing the auto gain algorithm to create oscillations while trying to set optimal GAIN value for each situation. To avoid this it is advisable to switch to MANUAL GAIN mode and fine tune the GAIN to a fixed setting.

6.16 In very deep waters even setting the GAIN to its maximum value I cannot see the bottom what shall I do?

Try decreasing the NOISE LEVEL. If still the bottom is not visible there is nothing you can do, the bottom echo is simply too weak to be detected.

Index

50-200 FISH FINDER	26
50/200kHz Full Display	14
A	
A-Scope	9, 12
Alarm	10, 12, 22, 23
Alarm Bar	12
B	
Bottom Echo Profile	13
Bottom Lock	9
C	
C-CARD	23
Calibrate Aux Temperature	22
Case Size	25
Chart/Fish Display	14, 16
CLEAR key	15
Color Bar	11
Colors	25
connection	29
Cursor key	14, 15
D	
Depth	20, 23
Depth Alarm	10
Depth Range	25
Depth ruler	12
Digital Depth	12
Dimensions	26, 33, 34
Display Colors	25
Display Setup	21
E	
ENTER key	14
F	
Features	9
Fish Finder display	11
Fish Finder port	10
Fish Finder Setup menu	19
Fishes	12
focus	17
Frequency	12, 22
Full Display	14, 15, 16, 17
G	
Gain	20
Gain Mode	19
I	
Image Speed	25
Input Format	25
Installation	25, 31, 33
Interference Rejection	10, 20
K	
Keel Offset	22
L	
Load Settings from User C-CARD	23
M	
MENU key	14, 16
Mounting	27
N	
Noise Filter	10, 34
O	
Operating Frequency	12, 25
Output Power	25
P	
Page Selection menu	13
Power Consumption	25
Power Requirements	25
Preset Mode	19, 21
R	
Radar	16
Range Mode	19, 20, 21, 22
Resolution	25
S	
Save Settings to User C-CARD	23
Scrolling Speed	21
Sensitivity menu	14, 20
Sensitivity Time Constant	20
Shallow Alarm	10
Shallow Water	23
Shift	20
STC	10, 20, 21
STC Length	21
STC Strength	21
Structure	13
Surface Clutter	13
Surface Noise Filter	21
T	
temperature	25
Temperature Lower	10
Temperature Rate	23
Temperature Upper	10, 23
Thermoclines	13
transducer	9, 22, 31
Transducer Setup	22
U	
User C-CARD	23
V	
Variable Depth Marker	12, 14
VDM	12, 14
Vertical Resolution	25
W	
Warning Message	11
Water Temperature	12, 22
Weight	25
White Line	9, 13, 21
Z	
Zoom	12
Zoom Bar	12
Zoom Full Display	14
ZOOM IN/OUT keys	15, 16