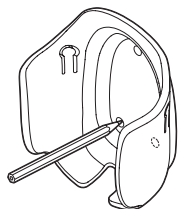


www.Busse-Yachtshop.de email: info@busse-yachtshop.de

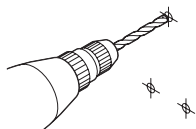
Fitting remote

Cradle at fixed position

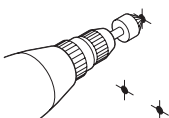
1. Mark holes for the fixing screws.



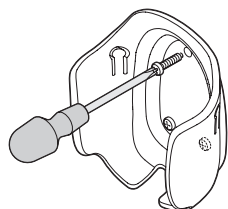
2. Drill three 1/8 inch (3.4 mm) pilot holes for the fixing screws



3. Countersink the pilot holes to prevent damage to the mounting surface.

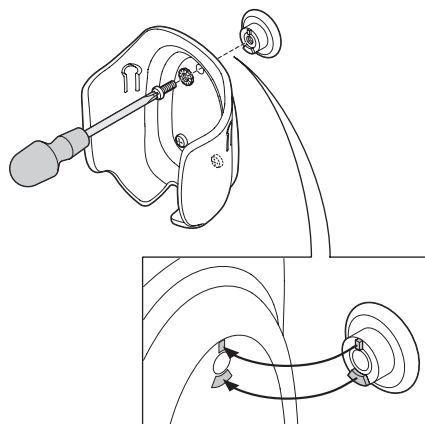


4. Use the three No. 8 screws to secure the cradle to the mounting surface

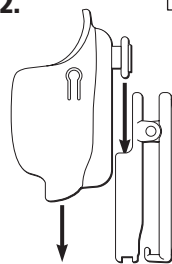


Cradle on belt clip

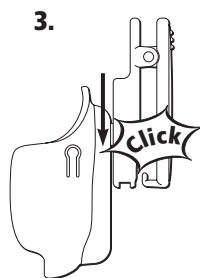
1.



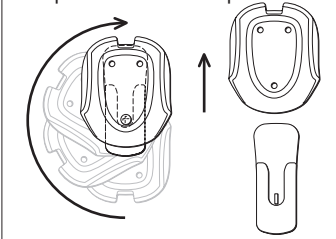
2.



3.



To separate cradle from clip



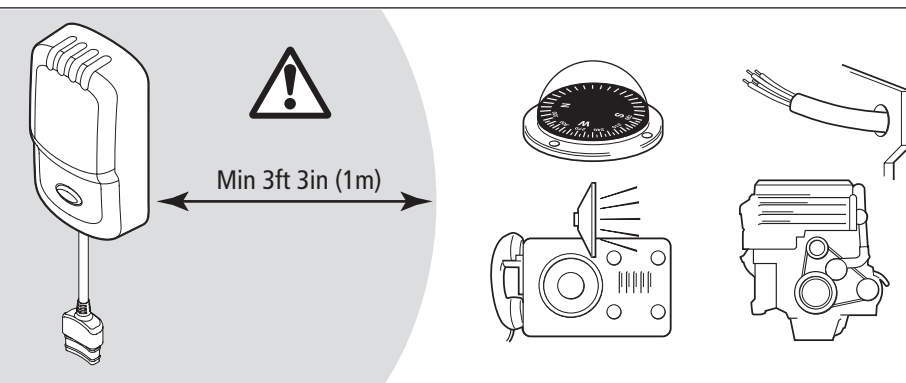
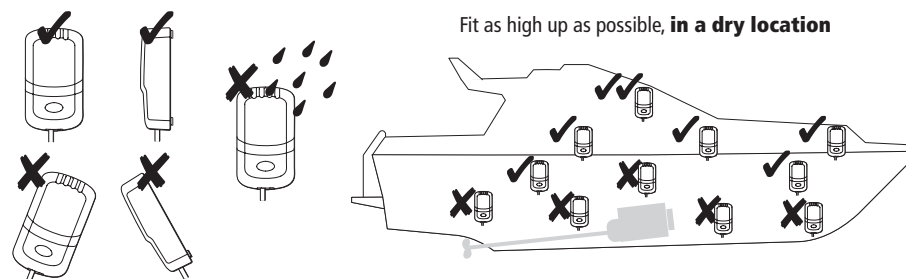
D7675-1

Base Station & Wireless Controller Installation Guide

Parts supplied		Tools Required
Base Station 	S100 Remote OR Smart Controller Cradles x2 AAA batteries x2 3 Way Connector Block Ferrite SeaTalk Cable Charging Cable 	 Power Drill Poizdriv screwdriver 1/8 inch (3.4 mm) drill 7/64 inch (2.7 mm) drill

D7682-1

Locating Base Station



D7678-1

Raymarine

Raymarine UK Ltd, Portsmouth, Hampshire, UK PO6 3TD
 Raymarine Inc. Nashua, NH 03063-4219, USA

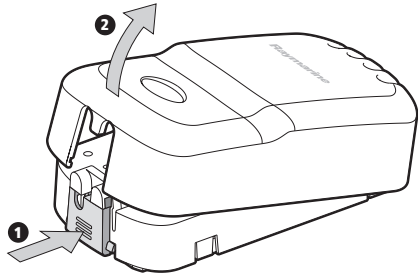
+44 (0) 23 9269 3611
 Toll Free: 800-539-5539
 +1 603-881-5200

Date: February 2005

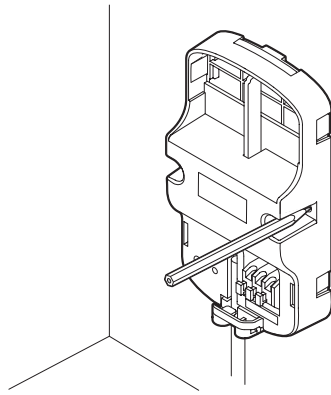
Document number: 87042-2

Fitting Base Station

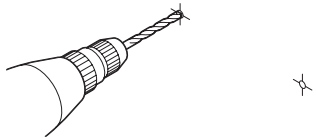
1. Remove cover



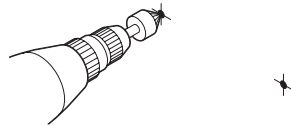
2. Mark holes for the fixing screws.



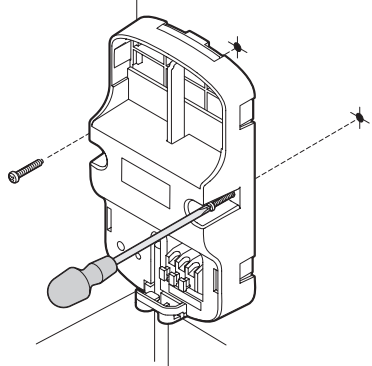
3. Drill two 7/64 inch (2.7 mm) pilot holes for the fixing screws



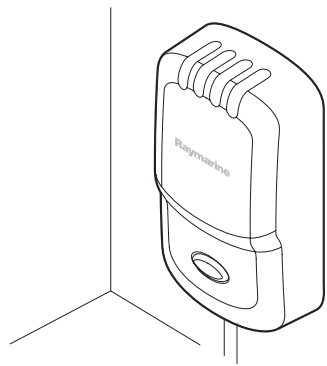
4. Countersink the pilot holes to prevent damage to the mounting surface



5. Use the two No. 6 screws to secure the Base Station to the mounting surface



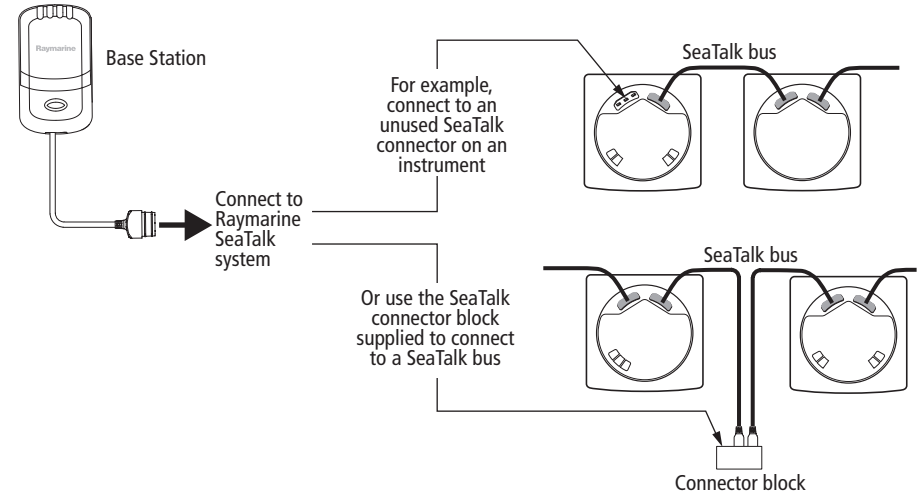
6. Replace cover



D716/6-1

Connecting Base Station

Important: Before connecting the Base Station, ensure that the 12 V supply on the associated SeaTalk system is protected by a 5 A fuse.



Note: If necessary, you can remove the SeaTalk connector from the Base Station cable, to make direct connections to SeaTalk, e.g. at a Raymarine course computer.

SeaTalk color coding:

Yellow : SeaTalk data

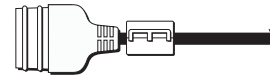
Red : +12 V

Screen: 0 V

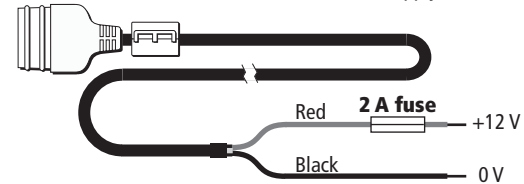
D7181-2

Connecting Smart Controller charging cable

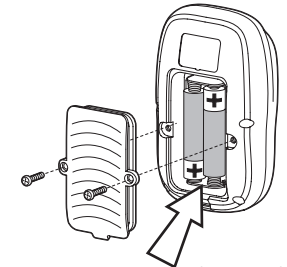
Clip ferrite onto cable, near to connector



Connect cable via 2 A fuse to 12 V supply



Fitting batteries to S100 Remote



Fit 2 x AAA batteries (supplied).

When replacing, use only high-quality alkaline, AAA size batteries.

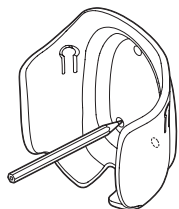
D7504-1

www.Busse-Yachtshop.de email: info@busse-yachtshop.de

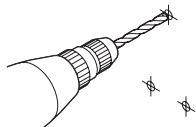
Fitting remote

Cradle at fixed position

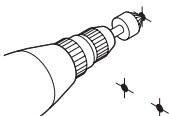
1. Mark holes for the fixing screws.



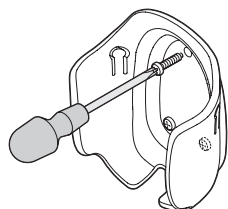
2. Drill three 1/8 inch (3.4 mm) pilot holes for the fixing screws



3. Countersink the pilot holes to prevent damage to the mounting surface.

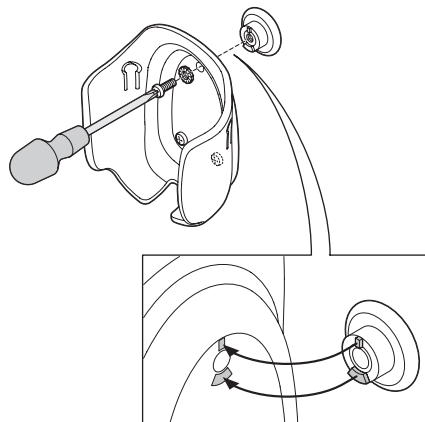


4. Use the three No. 8 screws to secure the cradle to the mounting surface

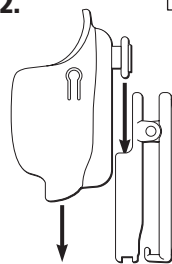


Cradle on belt clip

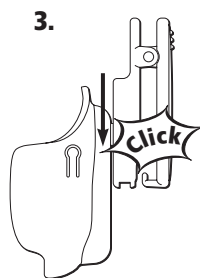
1.



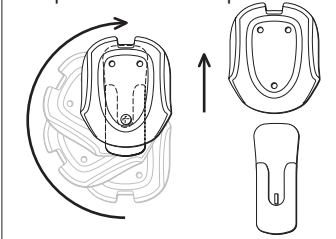
2.



3.



To separate cradle from clip



D7675-1

Raymarine

Raymarine UK Ltd, Portsmouth, Hampshire, UK PO6 3TD
Raymarine Inc. Nashua, NH 03063-4219, USA

+44 (0) 23 9269 3611
Toll Free: 800-539-5539
+1 603-881-5200

Document number: 87042-2

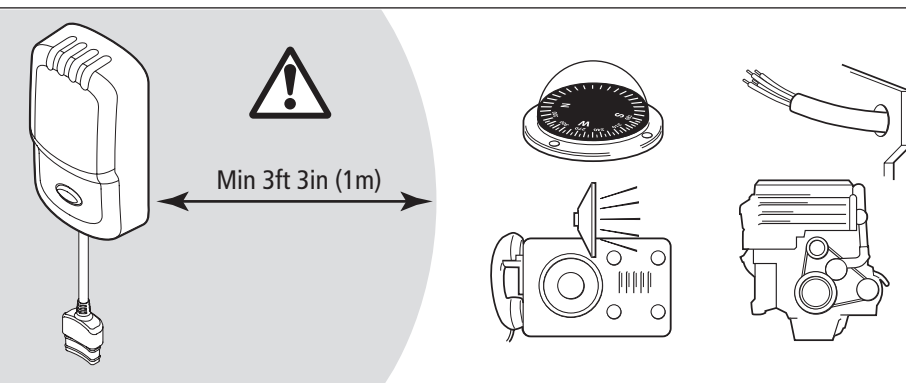
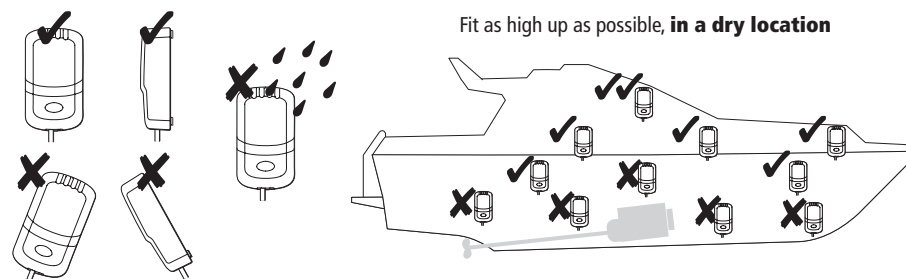
Date: February 2005

Base Station & Wireless Controller Installation Guide

Parts supplied		Tools Required
Base Station 	S100 Remote OR Smart Controller Cradles x2 3 Way Connector Block Ferrite SeaTalk Cable Charging Cable AAA batteries x2 	 Power Drill Poizdriv screwdriver 1/8 inch (3.4 mm) drill 7/64 inch (2.7 mm) drill

D7682-1

Locating Base Station



D7678-1