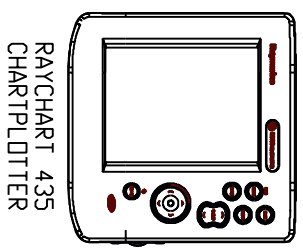
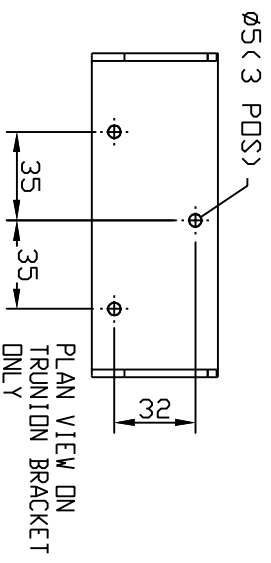
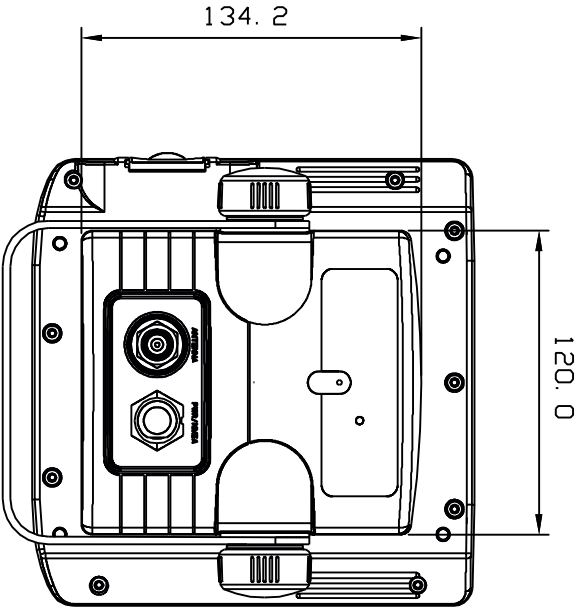
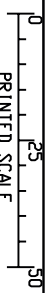


- NOTES:
- 1) FOR INFORMATION ON CONNECTIONS AND PRODUCT SPECIFICATIONS, PLEASE REFER TO HANDBOOK, PRODUCT SUPPORT AND WORKSHOP MANUALS.
  - 2) FOR ANY DIMENSIONAL INFORMATION NOT INCLUDED PLEASE CONTACT YOUR SALES REPRESENTATIVE.
  - 3) DIMENSIONS SHOWN ARE ACTUAL PRODUCT SIZE AND DO NOT INCLUDE ANY CLEARANCE DATA.



**Raymarine**  
ONBOARD

THE INFORMATION CONTAINED HEREIN SHALL NOT BE REPRODUCED WITHOUT THE PERMISSION OF RAYMARINE LTD



DRAWN TO BS308

DO NOT SCALE - IF IN DOUBT ASK

DR. N. A.S.  
DIMENSIONS IN MM  
DATE: 27/01/03  
SCALE: 1:2

TITLE RAYCHART 435  
CH 435