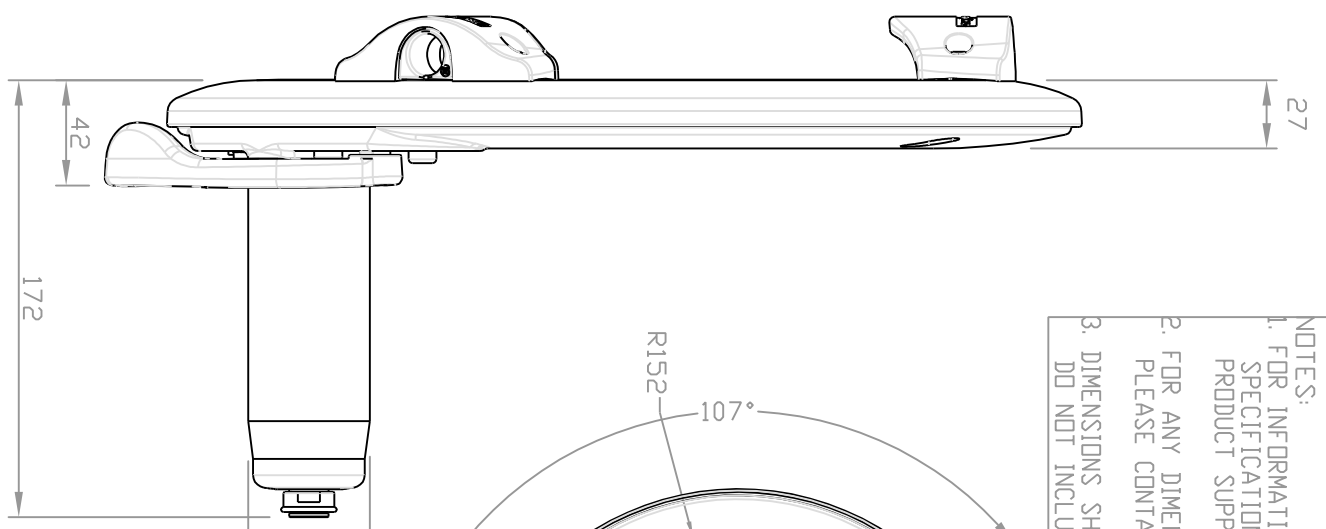
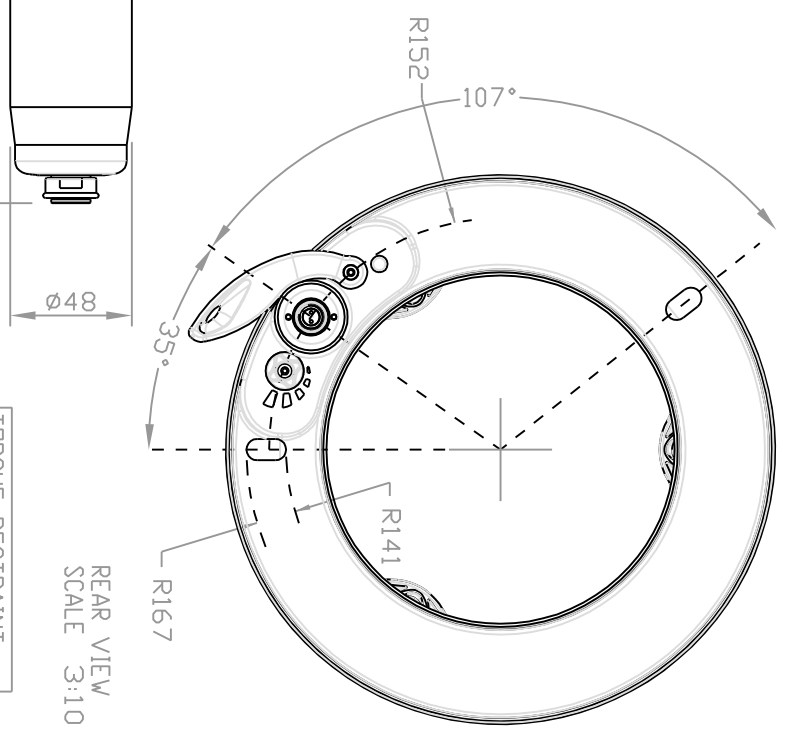


SCALE 1:2



172



REAR VIEW
SCALE 3:10

TORQUE RESTRAINT
MOTOR @ RIGHT - 35°
MOTOR @ LEFT - 107°

NOTES:
1. FOR INFORMATION ON CONNECTIONS AND PRODUCT SPECIFICATIONS, PLEASE REFER TO HANDBOOK, PRODUCT SUPPORT AND WORKSHOP MANUALS.
2. FOR ANY DIMENSIONAL INFORMATION NOT INCLUDED PLEASE CONTACT YOUR SALES REPRESENTATIVE.
3. DIMENSIONS SHOWN ARE ACTUAL PRODUCT SIZE AND DO NOT INCLUDE ANY CLEARANCE DATA.

THE INFORMATION CONTAINED HEREIN SHALL NOT BE REPRODUCED IN WHOLE OR IN PART WITHOUT THE PRIOR KNOWLEDGE BY RAYMARINE LTD.



AUTOPILLOT TEAM
©2001 RAYMARINE LTD

DRAWN TO BS308

DO NOT SCALE - IF IN DOUBT ASK

DR: N: R PRESTON DATE: 26-Jun-08 DRAWING No. DR_4000_MK1 B