

## SAILOR® 6210 VHF & 6215 VHF DSC CLASS D

Get a trusted SAILOR on board



**Safety and efficiency at sea depend on superior communication, so professionals have for decades chosen SAILOR VHF. Now, the proven performance and unrivalled solid build quality that makes SAILOR the VHF choice for the discerning user have been passed on to the next generation, the SAILOR 6200 VHF series.**

With competitive value, introduced to ensure availability to all professional vessels, the new generation SAILOR 6210 VHF and SAILOR 6215 VHF DSC Class D still retain the same premium, rugged feel of previous generations, but with improvements across the board. Designed with ease-of-use in mind, the SAILOR 6210 and SAILOR 6215 belong at the helm of any vessel crewed by professionals.

### Features Include:

- Full waterproof to IPx8 (submersible) and IPx6 (spray) all over
- Large easy-to-read display with red backlight and dimming
- High quality, powerful 6W loudspeaker
- 2 hand microphones/handsets
- 2 control speaker microphones
- Detachable hand microphones - front and rear
- Replay function
- DW, Tri-watch and scanning
- Loudhailer functionality (30W) with talk-back
- Foghorn functionality

The robust, solid qualities of the SAILOR 6200 VHF series are apparent immediately. A large display with red backlight protects the user's night vision and makes it easy to read the intuitive menu. The tactile feel of the buttons and wheelknobs makes the VHF's very easier to operate. The powerful 6W built in loudspeaker ensures good sound quality, even in noisy environments.

### Play it Again

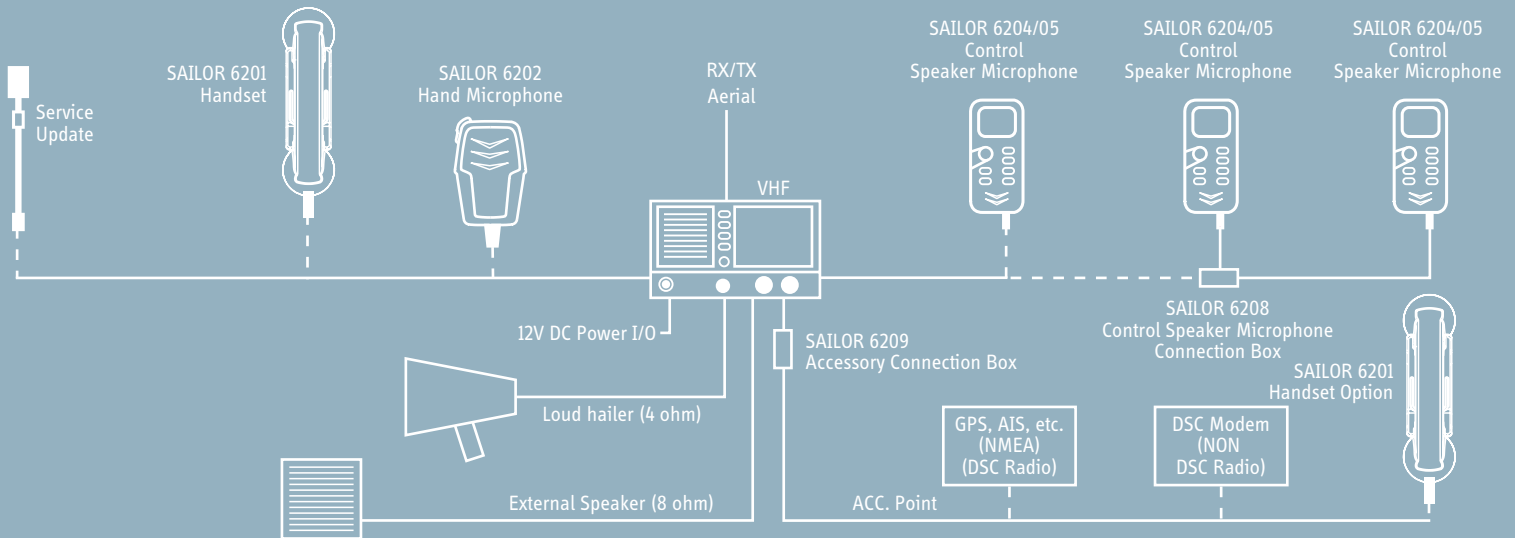
The SAILOR 6200 VHF series feature the popular Replay function, which constantly records the latest incoming messages. This function allows the user to clarify received information and ensures that it is not lost or ignored, if the user was occupied in other operations.

### Flexible Installation

The SAILOR 6210 VHF and SAILOR 6215 VHF DSC Class D offer a very flexible installation. The waterproof design, covering the entire radio including hand microphone allows for open installations. The SAILOR 6200 VHF's can be operated by two extra handsets, hand microphones or control speaker microphones. All are detachable and can be connected on both the front and the rear of the VHF. The VHF's also allow for interfaces to external loudspeaker, loudhailer with talk-back and foghorn and additional equipment that can enable even more features.

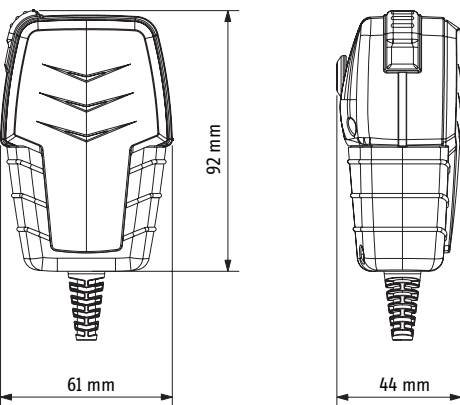
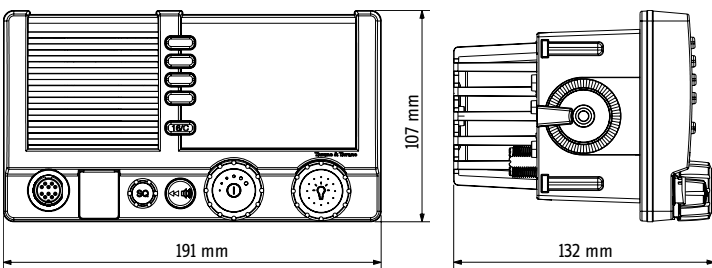
With the SAILOR 6210 VHF and SAILOR 6215 VHF DSC Class D the new generation of SAILOR VHF is here. They are built on decades of history as the professional user's choice. Designed with the user in mind, keeping focus on high value, performance, ease-of-use, connectivity functionality and build quality the SAILOR 6200 VHF series continues the long tradition of SAILOR VHF.

# SAILOR®



## Technical Specifications

|  |  |
|--|--|
| Weight SAILOR 6210/6215 transceiver unit, approx.  | < 1.2kg  |
| Weight SAILOR 6210/6215 transceiver unit incl. Hand Microphone and mounting bracket, approx. | < 1,5kg  |
| Operational Temperature Range  | -15°C to 55°C  |
| Storage Temperature Range  | -40°C to 80°C  |
| Power Supply   | 12VDC Nominal (10,8- 15,6VDC)  |
| Frequency Range  | TX 156,000-161,450, RX 156,000-163,425 MHz   |
| Channel Spacing/Bandwidth  | 12.5kHz and 25kHz  |
| Receiver Sensitivity   | < -119dBm Typically @ 20dB SINAD CCITT Weighted  |
| Antenna  | Connector UHF Plug PL259. 50 Ohm Antenna<br>1-antenna operation for both VHF and DSC communication |



## Features

|                                       | SAILOR 6210 VHF | SAILOR 6215 VHF DSC Class D |
|---------------------------------------|-----------------|-----------------------------|
| Built in DSC Class D                  |                 | X                           |
| DSC address book                      |                 | X                           |
| Replay                                | X               | X                           |
| Dual watch, Tri-watch and scanning    | X               | X                           |
| High/Low (25/1 Watt) transmit modes   | X               | X                           |
| Large display                         | X               | X                           |
| Red backlight                         | X               | X                           |
| Display dimming                       | X               | X                           |
| Powerful loudspeaker (Distortion <5%) | 6W              | 6W                          |
| Tactile buttons and wheelknobs        | X               | X                           |
| Alert mute button                     | X               | X                           |

## Channels

|                        | SAILOR 6210 VHF | SAILOR 6215 VHF DSC Class D |
|------------------------|-----------------|-----------------------------|
| International channels | X               | X                           |
| US channels (incl. WX) | X               | X                           |
| Canadian               | X               | X                           |
| BI channels            | X               | X                           |
| ATIS and ATIS Killer   | X               | X                           |
| Private channels       | 40              | 40                          |

## Interface

|   | SAILOR 6210 VHF | SAILOR 6215 VHF DSC Class D |
|---|-----------------|-----------------------------|
| Loud hailer functionality with talk-back  | 30W             | 30W                         |
| Foghorn functionality   | 30W             | 30W                         |
| 2 handsets, Hand Microphones and 2 Control Speaker Microphones - Detachable front and rear connection | X               | X                           |
| External loudspeaker  | 6W              | 6W                          |

## Installation

|   | SAILOR 6210 VHF  | SAILOR 6215 VHF DSC Class D |
|---|------------------|-----------------------------|
| Bracket and flush mounting installation   | X                | X                           |
| Waterproof rating all over including Hand Microphones and Control Speaker Microphones | IPx8 & IPx6      | IPx8 & IPx6                 |
| Approval  | R&TTE & Canadian | R&TTE                       |

Subject to change without further notice.