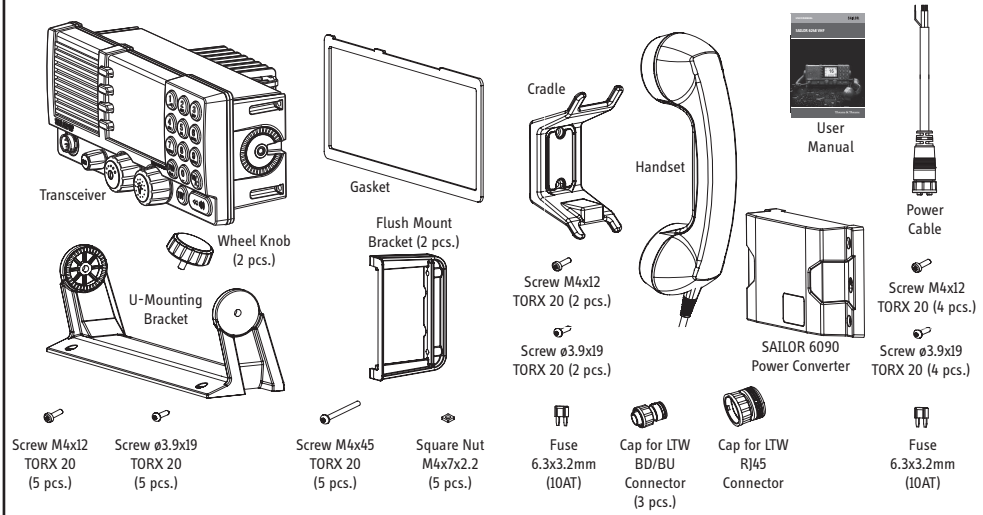
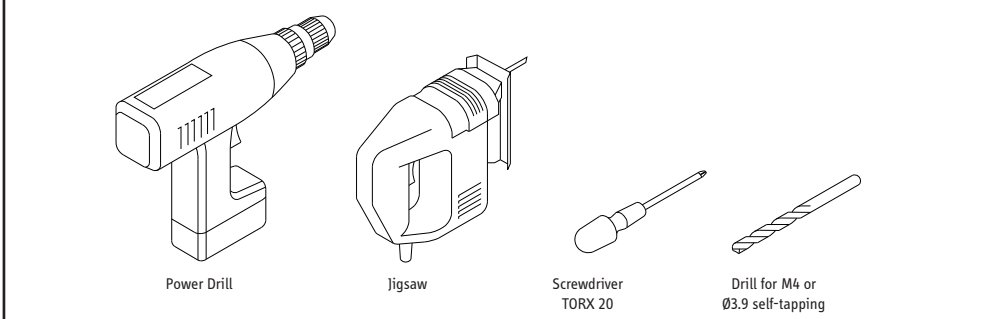


SAILOR 6248 VHF

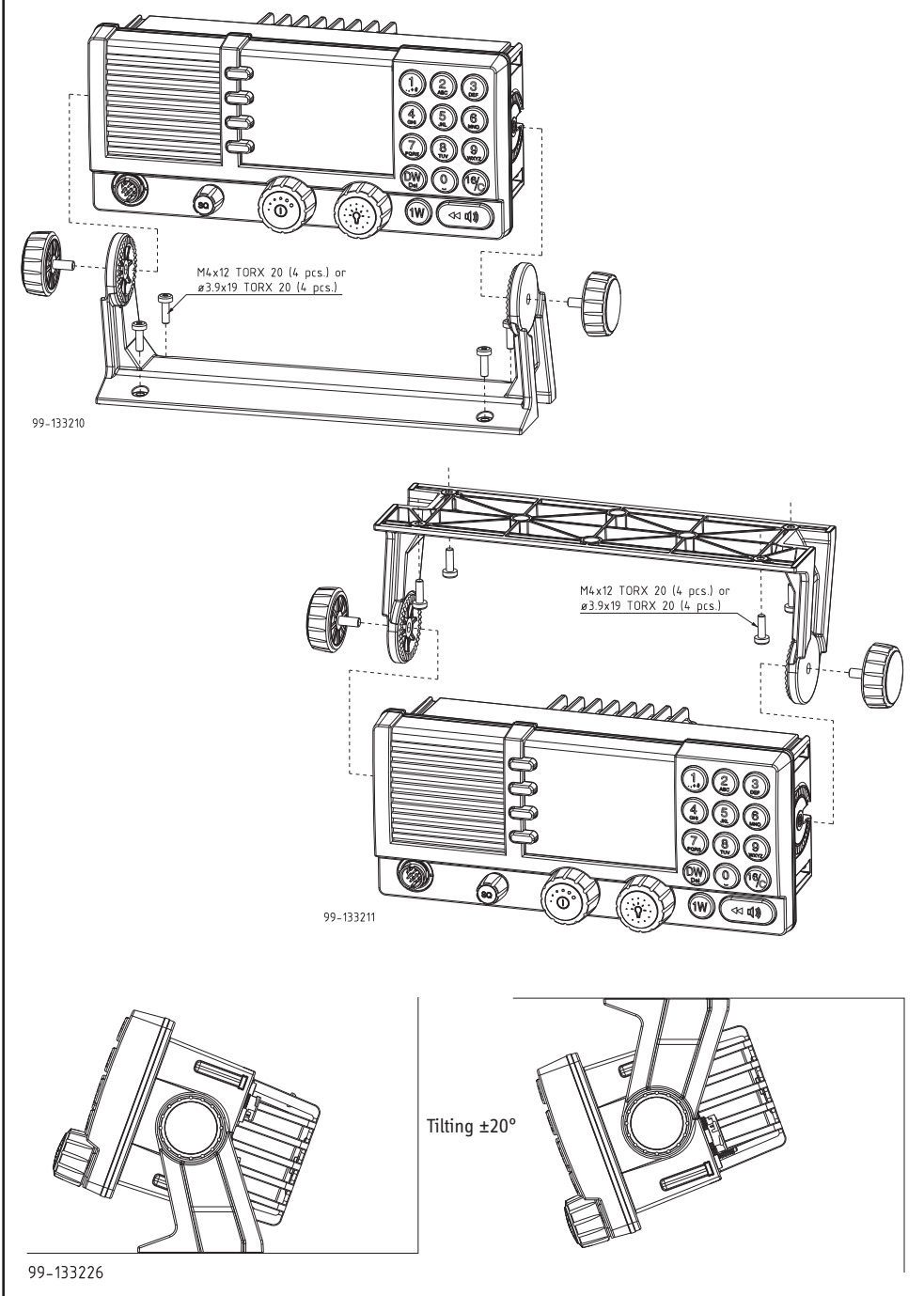
What's in the box?



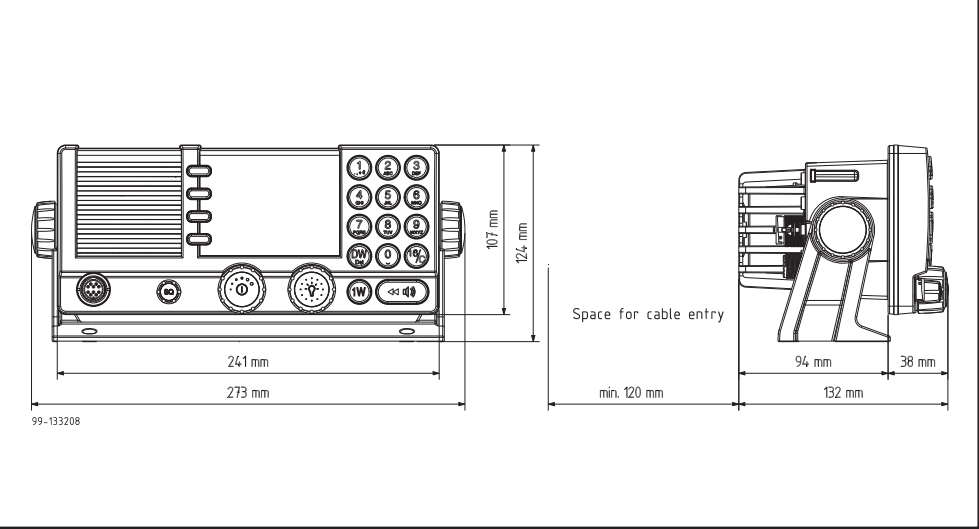
What do I need to fit it?



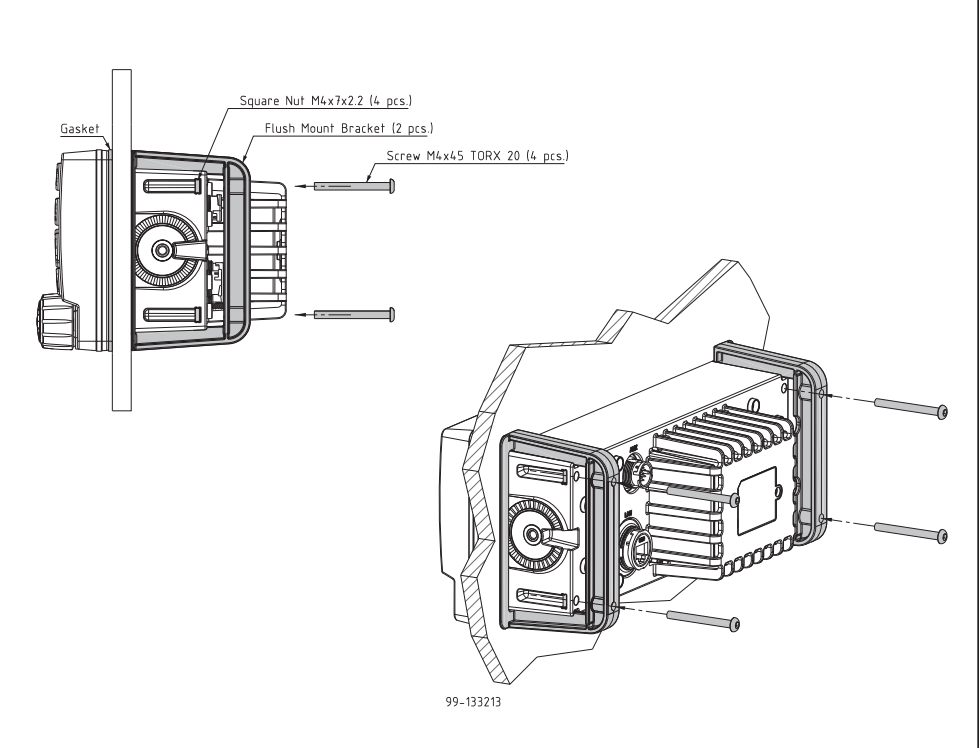
How to install the VHF on desktop and overhead



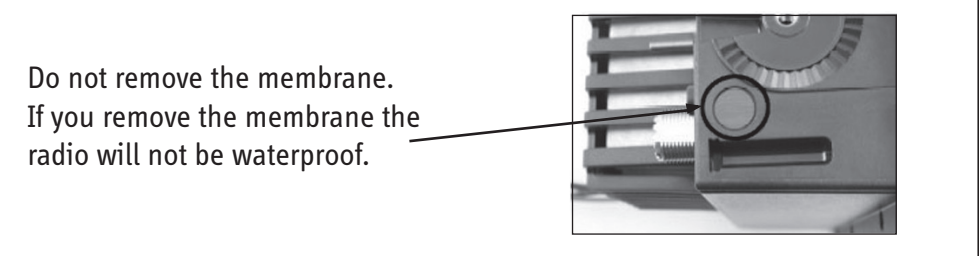
Dimensions for the SAILOR 6248 VHF



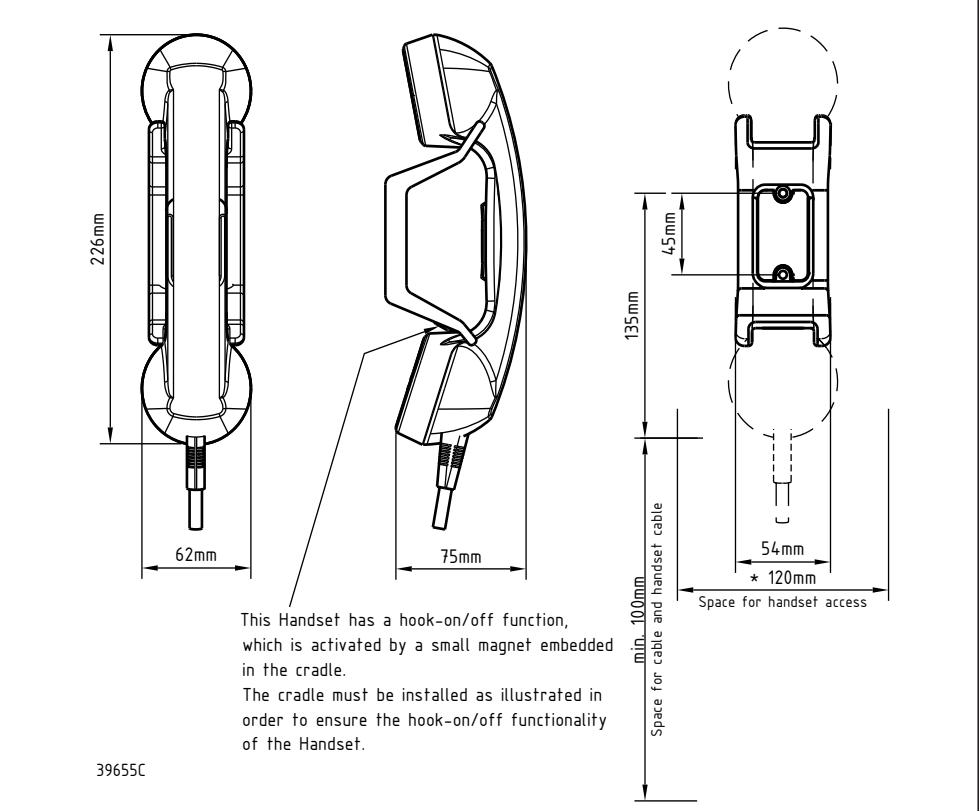
How to install the VHF flush mount



Very important information!

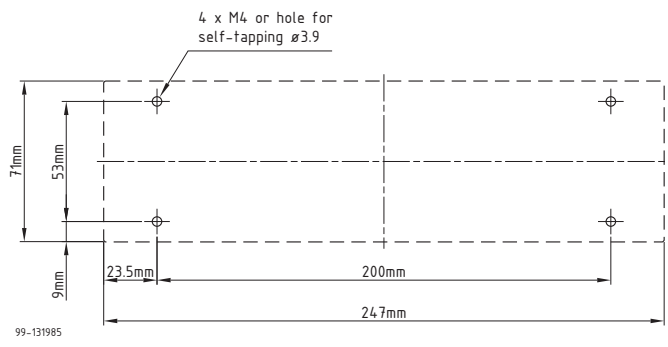


How to install the handset

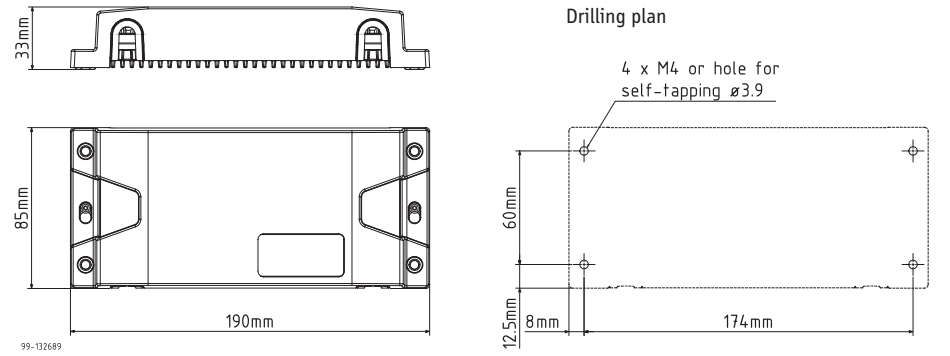


This Handset has a hook-on/off function, which is activated by a small magnet embedded in the cradle. The cradle must be installed as illustrated in order to ensure the hook-on/off functionality of the Handset.

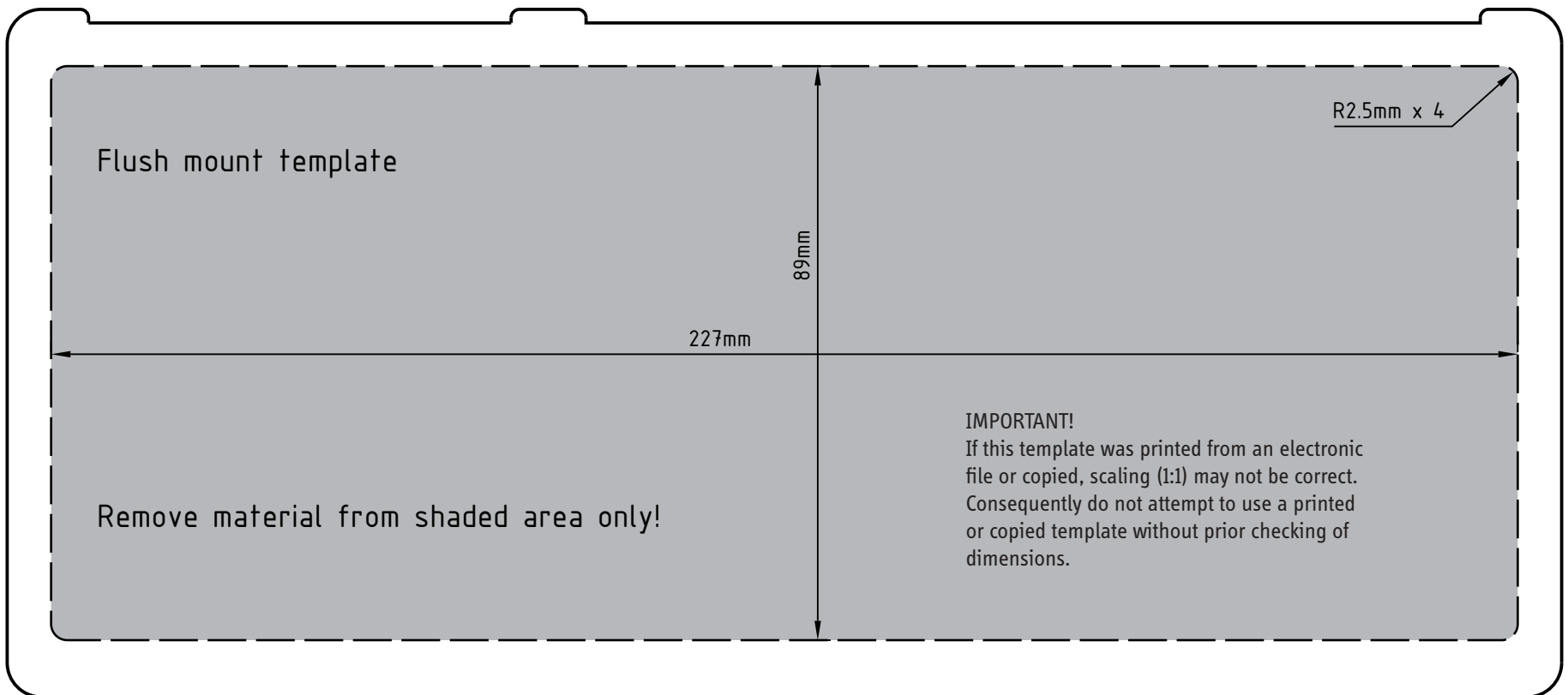
Drilling plan on desktop and overhead



How to install the SAILOR 6090 Power Converter

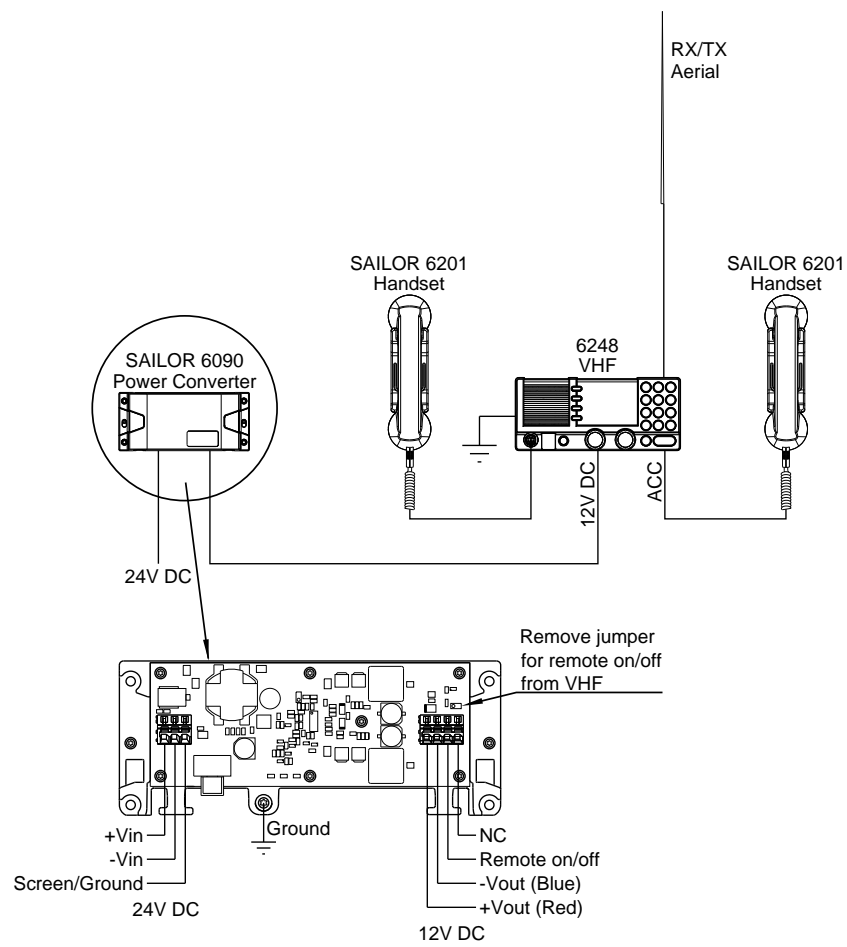


Cutout template for flush mounting of the VHF



Scale 1:1

System Configuration - Example



For further information, please download the installation manual part no. 98-133233 on <http://esupport.thrane.com>

99-133232

98-132282-A