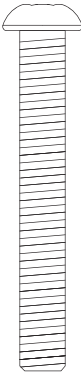
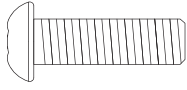
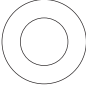
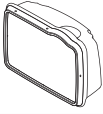
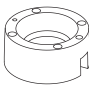
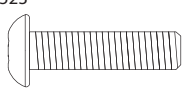

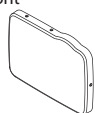
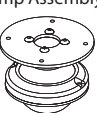



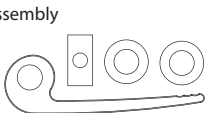



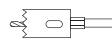


Scanstrut Scanpod Installation Instructions

Deck Pod



Parts List

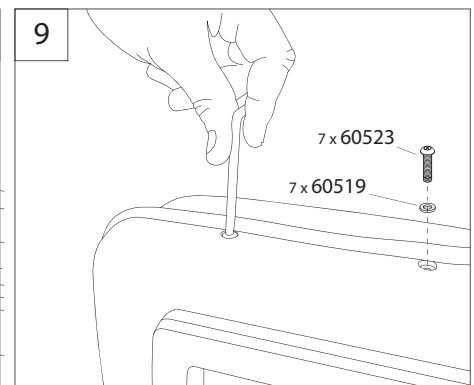
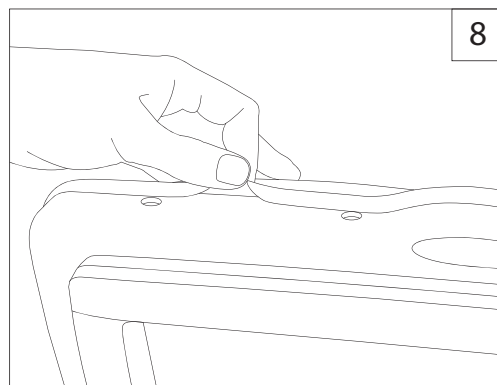
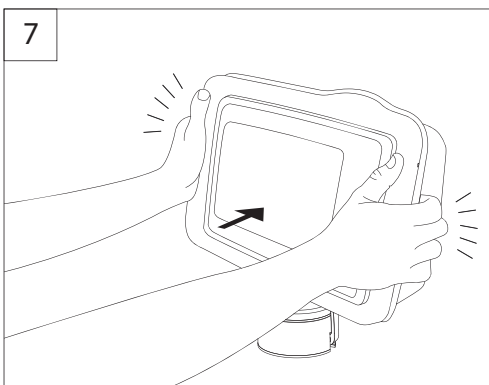
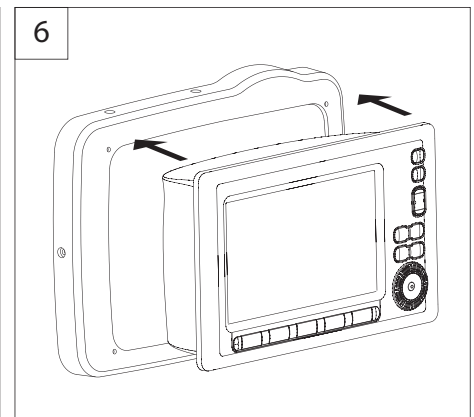
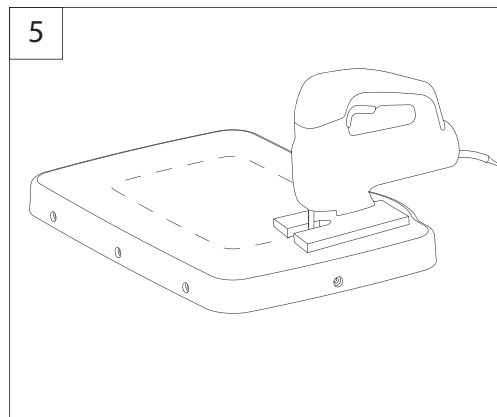
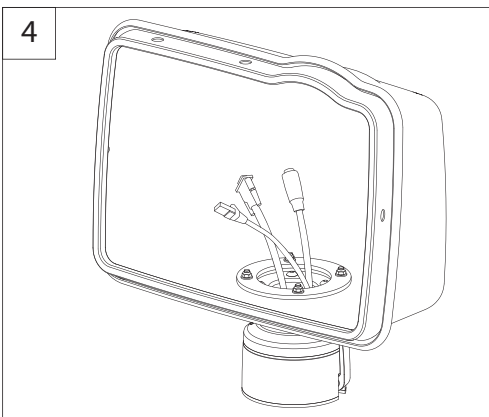
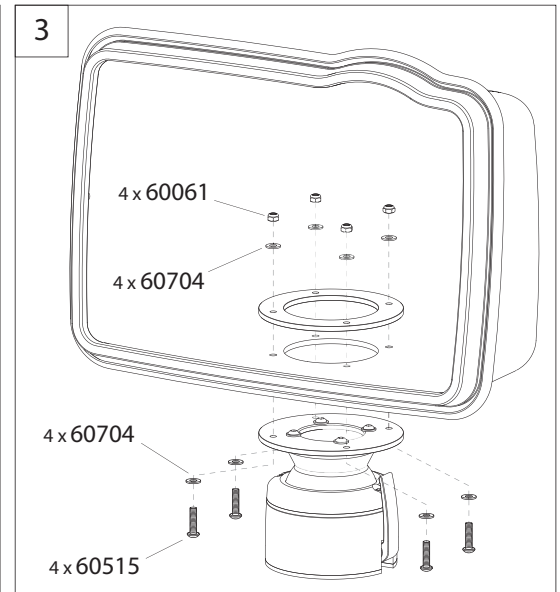
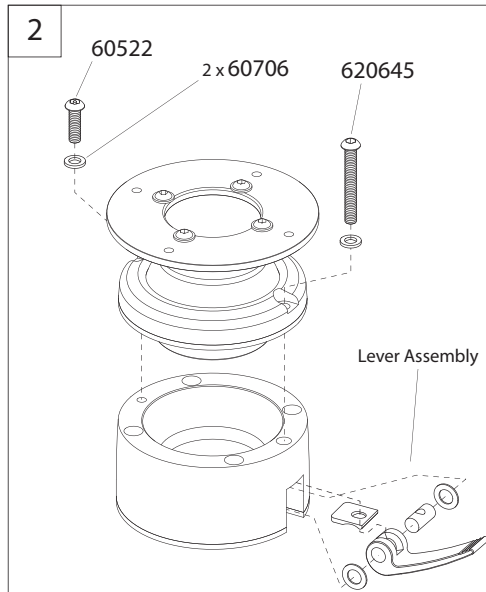
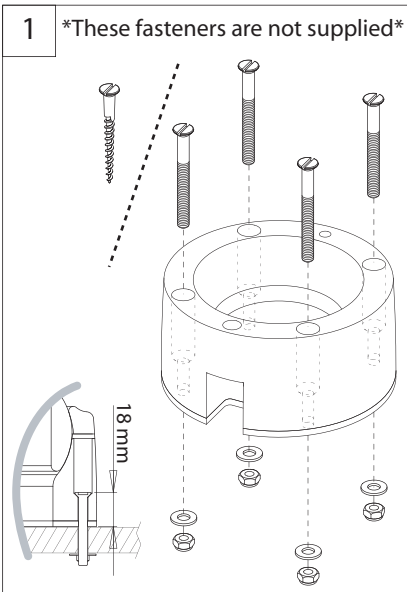
620645  x1	60522  x1	60706  x2	Deck Pod Back + Seal  x1	Base Cup  x1
60523  x7	60519  x7	Pod Front  x1	Ball Clamp Assembly  x1	
60515  x4	60704  x8	60061  x4	Lever Assembly  x1	

Tools Required

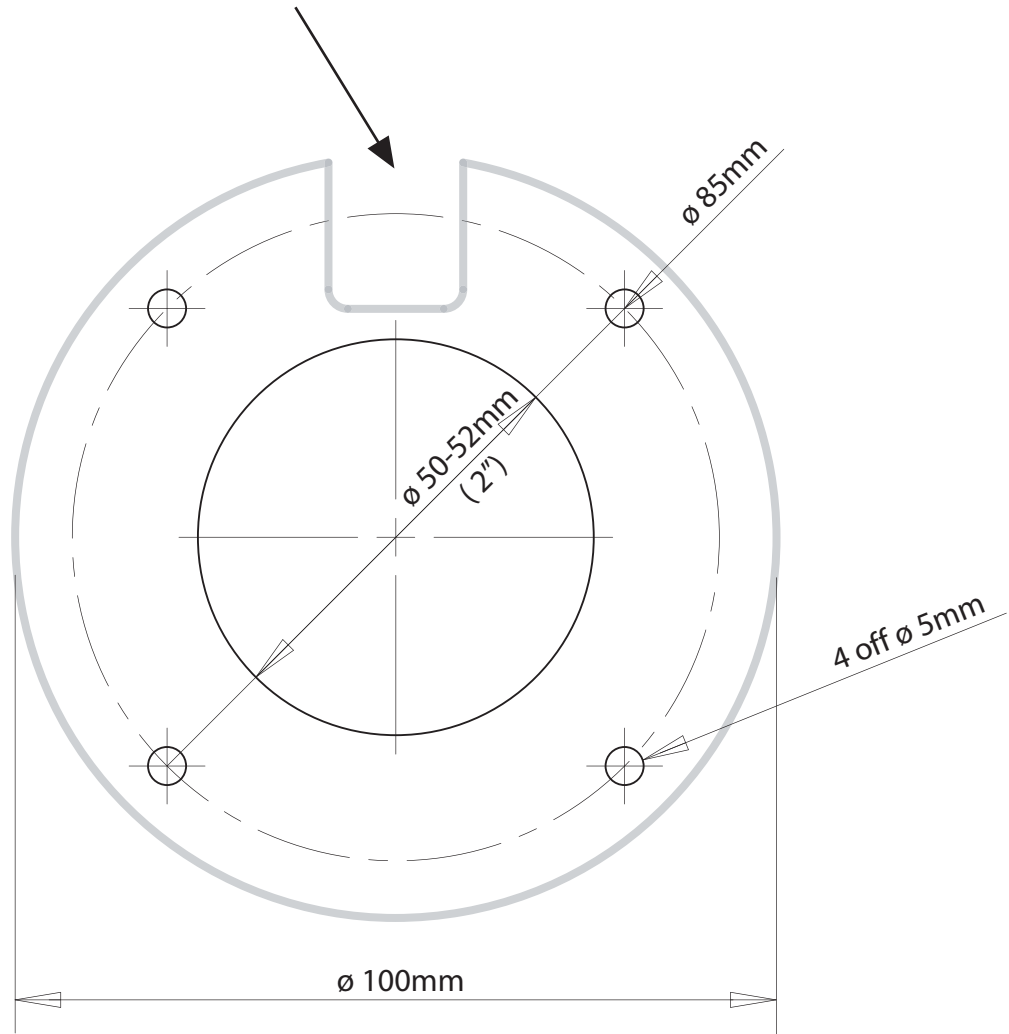
	Jigsaw/Spiral Saw
	Hole Saw ø50-52mm (2")
	Power drill
	4mm Allen Key

Tools Included

	M6 Pin torx Wrench (63517)
	M5 Pin torx Wrench (63516)



Position Lever recess so that
Lever is in an accessible position.



1:1 Scale Drilling Template