

DLMP
Installation Instructions

Tools Needed

Posidrive No.3 Screwdriver
 Large Flat Head Screwdriver
 2x 10mm Spanner
 1x 13mm Spanner
 Ø8mm Drill
 Ø6mm Drill

Kit Contents

[] 1x Tube 2.5M long	17420
[] 2 x cover strips	19401
[] 1x Top casting for Fleet Satcom or 30cm Satcom	10103/10101
[] 1x Pole Top Fastening Pack	60100
[] 4x M6 x 20 Hex Head Bolts	60621
[] 4x M6 Nyloc Nuts	60060
[] 4x M6 White nut covers	60068
[] 4x M6 Nylon Washers	60702
[] 1x Adjustable base module	19301
[] 1x Adjustable Base Assembly	N/A
[] 3x M8 x 60 C/S Bolts	60860
[] 3x M8 x 35 Hex Head Bolts	60835
[] 3x M8 Nyloc Nuts	60080
[] 3x M8 Washer	60085
[] 4x M6 x 16 Pan Head Posidrive Bolts	60616
[] 4x M6 Nylon washers	60702
[] 3x M8 Nylon Bolt Insulators	64000
[] 1x Loctite 242 Sachet	10265
[] 2 x 1800mm/5'11" Deck Support strut	19309
[] 1x 1800mm Adjustable Strut	10456
[] 1x Deck Eye Pad	10451
[] 1x 3" Tube Clamp Assembly	104520
[] 1x 2mm Allen Key	63002
[] 1x Fastening Pack	60035
[] 4x M6 x 35 C/S Bolt	610635
[] 3x M6 x 20 Hex Head Bolts	60621
[] 7x M6 Nyloc Nuts	60060
[] 6x M6 Nut Cover	60068
[] 7x M6 Nylon Washer	60702
[] 1x Levelling Mast Mount	LMM
[] 1 x Damping Chamber and Mast Adapter Assembly	17125LMM
[] 1 x LMM Cradle	10132LM
[] 1 x RSG plate/Universal Plate	10128LM/10129LM
[] 1 x LMM Instructions	
[] 1 x LMM Foot Fixing Pack in Small Bubble bag	
[] 4x Silver Feet	17001LMM

DLMP1-2-45(R)
Installation Instructions

Tools Needed

Posidrive No.3 Screwdriver
 Large Flat Head Screwdriver
 2x 10mm Spanner
 2x 13mm Spanner
 Ø8mm Drill
 Ø6mm Drill

Kit Contents

[] 1x Tube 2.5M long	17420
[] 2 x cover strips	19401
[] 1x Universal Top Casting - machined for SC45/SC45R	10101
[] 1x SC45/SC45R	SC45/SC45R
[] 1x SC105/6-45/R Fastening Pack	600106
[] 4x M8 x 30mm Hex Head Bolt	60856
[] 4x M8 Nyloc Nut	60080
[] 4x M8 Stainless Steel washer	60085
[] 4x M8 Nylon washer	64008
[] 4x M8 White Nut Cover	60857
[] 1x Pole Top Fastening Pack	60100
[] 4x M6 x 20 Hex Head Bolts	60621
[] 4x M6 Nyloc Nuts	60060
[] 4x M6 White nut covers	60068
[] 4x M6 Nylon Washers	60702
[] 1x Adjustable base module	19301
[] 1x Adjustable Base Assembly	N/A
[] 3x M8 x 60 C/S Bolts	60860
[] 3x M8 x 35 Hex Head Bolts	60835
[] 3x M8 Nyloc Nuts	60080
[] 3x M8 Washer	60085
[] 4x M6 x 16 Pan Head Posidrive Bolts	60616
[] 4x M6 Nylon washers	60702
[] 3x M8 Nylon Bolt Insulators	64000
[] 1x Loctite 242 Sachet	10265
[] 2 x 1800mm/5'11" Deck Support strut	19309
[] 1x 1800mm Adjustable Strut	10456
[] 1x Deck Eye Pad	10451
[] 1x 3" Tube Clamp Assembly	104520
[] 1x 2mm Allen Key	63002
[] 1x Fastening Pack	60035
[] 4x M6 x 35 C/S Bolt	610635
[] 3x M6 x 20 Hex Head Bolts	60621
[] 7x M6 Nyloc Nuts	60060
[] 6x M6 Nut Cover	60068
[] 7x M6 Nylon Washer	60702

[] 1x Levelling Mast Mount	LMM
[] 1 x Damping Chamber and Mast Adapter Assembly	17125LMM
[] 1 x LMM Cradle	10132LM
[] 1 x RSG plate/Universal Plate	10128LM/10129LM
[] 1 x LMM Instructions	
[] 1 x LMM Foot Fixing Pack in Small Bubble bag	
[] 4x Silver Feet	17001LMM
[] 4x M6 x 30 Bolts	60630
[] 4x M6 Nyloc Nut	60060
[] 4x M6 Nylon Washer	60702
[] 8 x M6 Domed Cap	60068
[] 12 x 4.8 x 12mm pop rivet	60665
[] 1x Loctite 242 Sachet	10265
[] 1 x Head Unit + Cradle Fixing Pack	
[] 1 x Dome head M8 bolt	10125LM-12
[] 1 x M8 Castle Nut	60090
[] 2 x M8 Stainless Steel washer	60085
[] 1 x Split pin	60091
[] 2 x M8 x 12mm Grub Screw	60812
[] 4 x M5 x 30 Socket Head Bolts	620530
[] 4 x M5 Nyloc	60061
[] 8 x M5 Shake-proof Washers	64006
[] LM-GPS Packing List	
[] 1 x GPS adapter for Leveling Mounts	10130LM
[] 1 x M6 Spring Washer	60066
[] 1 x M6 x 8 Socket Cap Screw	60608
[] 1 x 130x185 Bubble Bar	90001

Packed and Checked.....

Identify the top and bottom of the pole. The label is at the top of the pole.

- 1) Attach the base and spigot part of the adjustable base to the pole using 4 x M6 posidrive bolts and nylon washers. Apply a drop of Loctite to the screw threads before inserting the base into the pole.
- 2) Assemble the remaining parts of the adjustable base onto the spigot to create a ball joint at the base of the pole using 3 x M8 x 40 bolts and 3 x nylon top hat washers. Tighten bolts to lightly clamp the ball joint.
- 3) Orientate the adjustable base so the open slot faces up any slope on the mounting surface.
- 4) **If you are fitting the SC117 deck flood light to your SC100 pole, an extra operation is required here, please see separate SC117 installation instructions sheet.**
- 5) Attach the struts to the pole using the 3 inch clamps making sure that the adjustable ends (identified by the inset socket headed grub screw) are at the top. The struts must be at 90° to each other and at 30°-45° to the SC100 pole (see Fig.1). Attach the deck eye pads to the bottom of each strut. Unscrew the top eye of each strut by half its thread.
- 6) Once you are happy with the position of the pole and the two struts, use the deck eye pads as templates to mark the position of the Ø6mm holes and mark round the adjustable base.
- 7) Separate the two halves of the adjustable base and lower the pole. Use the bottom half as a template to mark the bolt holes for the adjustable base and make sure the open slot still faces up the slope. Drill the mounting holes with 8mm drill for the adjustable base and 6mm for the deck eye pads. Attach the base to the deck using 3 x M8 x 60 countersunk bolts, washers and Nyloc nuts.
- 8) It is recommended that the Satcom dome is installed onto the pole at this stage. If the cable has a large plug attached; slide out the cover strip, lay the cable in the channel and slide in the cover strip from the top of the tube. You will need to release the 3" Clamps to enable you to do this.
- 9) Bolt the Universal Top Casting to the top of the pole using the fasteners in the Pole Top Fastening Pack. Use the fasteners from the SC105/6-45/R Fastening Pack to fit the SC45(R) to the Universal Top Casting (See Fig.3).
- 10) Bolt the Satcom dome to the top of the SC45(R) assembly.
- 11) It is also recommended that the Levelling Mast Mount is fixed to the pole at this stage, please see separate instructions.
- 12) You can bring out the cables at the front or back of the pole to suit your deck installation. Fig 4. demonstrates typical cable routing.
- 13) Position the bottom of the SC100 pole in the adjustable base again and re-assemble by attaching its top half using 3 x M8 x 40. Apply a drop of Loctite to each thread before assembly.
- 14) Attach the deck eye pads of each strut to the deck using 4 x M6 countersunk bolts, washers and Nyloc nuts.

- 15) Check that the pole is vertical. Lock the strut in position using the grub screws at the top end of each strut. If you need to adjust the length of the strut, release the strut from the clamp, undo the grub screw and turn the eye. Attach the strut to the clamp and lock it as before.
- 16) Firmly tighten the 3 x M8 x 40 bolts to lock the ball joint in the adjustable base. These bolts must be tight enough to eliminate any movement at the base of the pole.

Installation of the SC117 deck flood light should now be completed. If applicable, go to point 3 on the SC117 instruction sheet.

Fig 1. General Arrangement of Modules

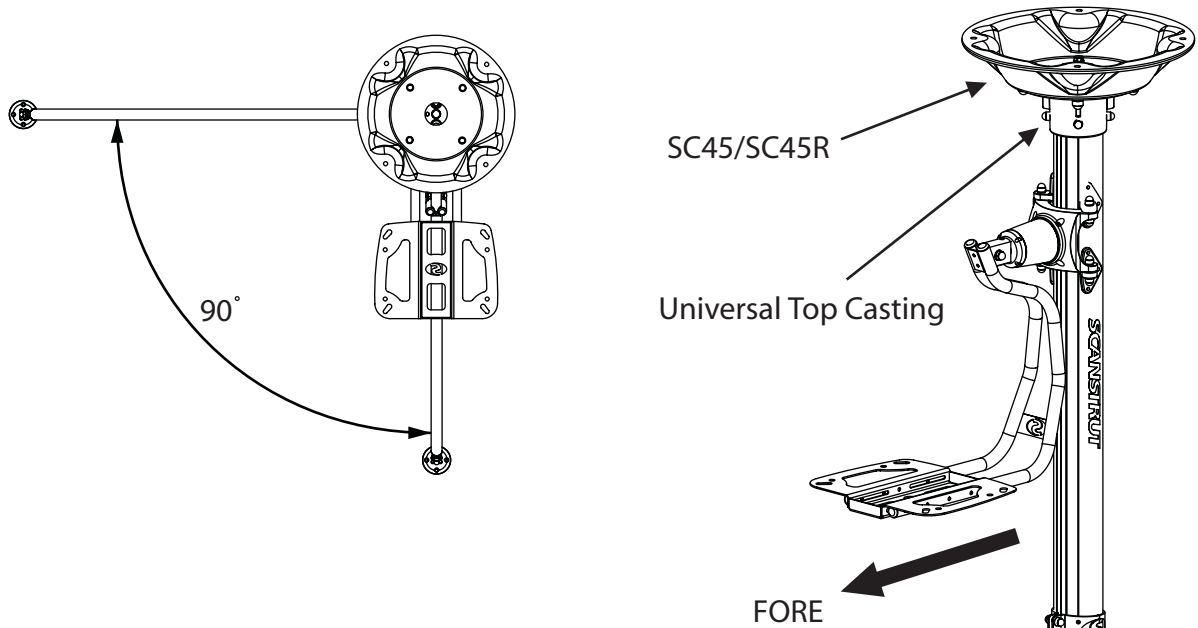


Fig 2. Adjustable Base Module

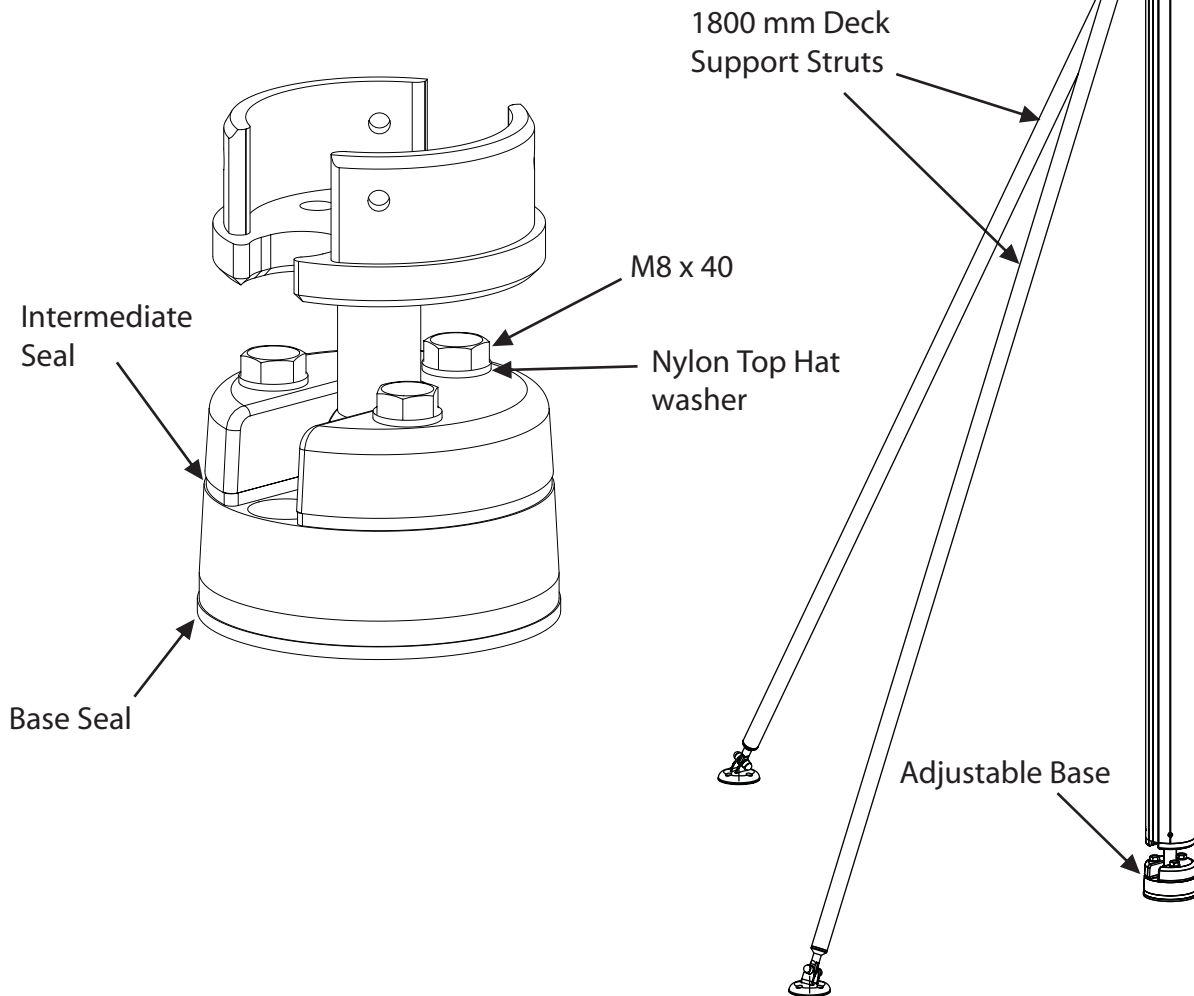


Fig 3. SC45(R) Configurations

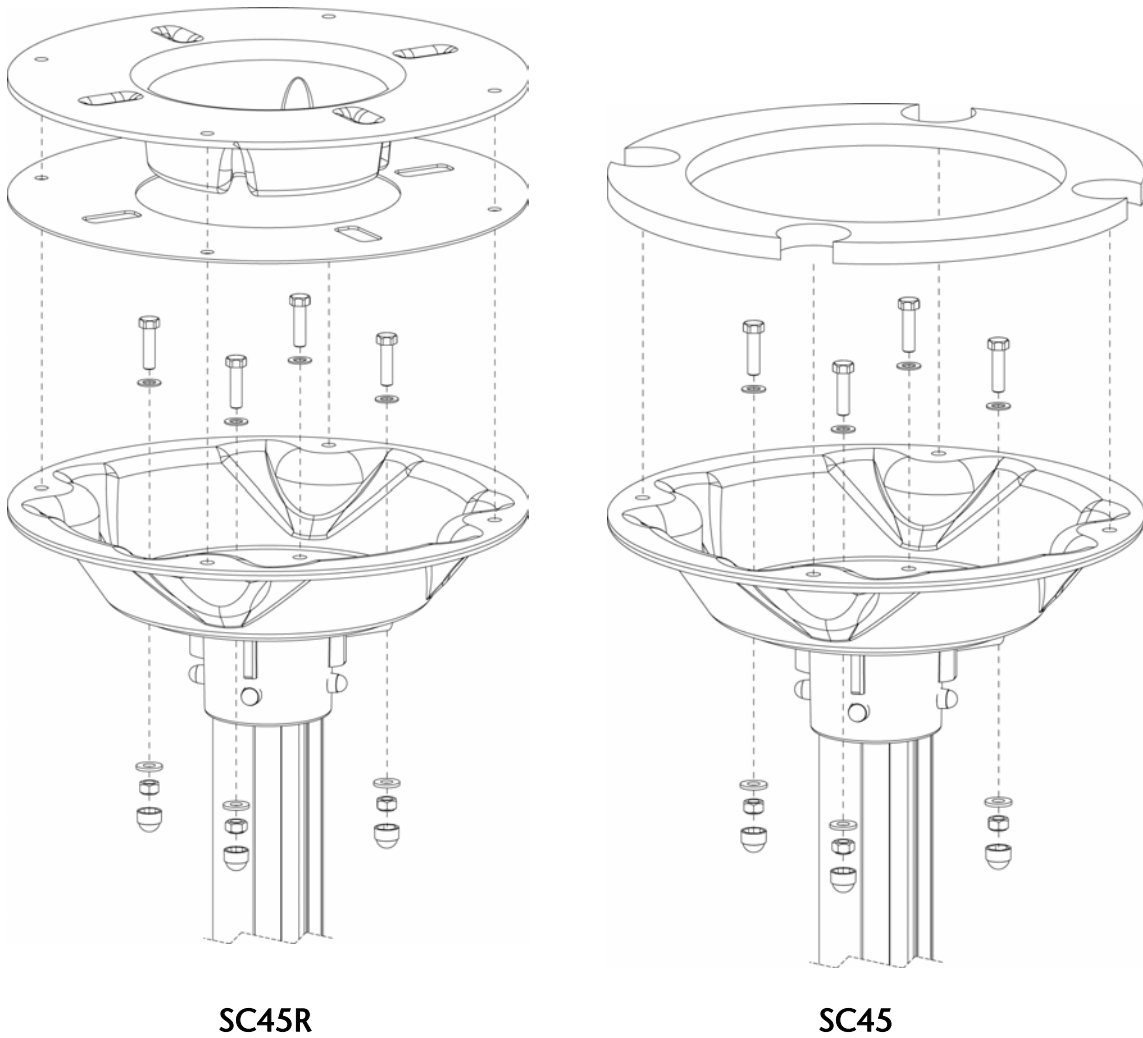


Fig 4. Cable Routing

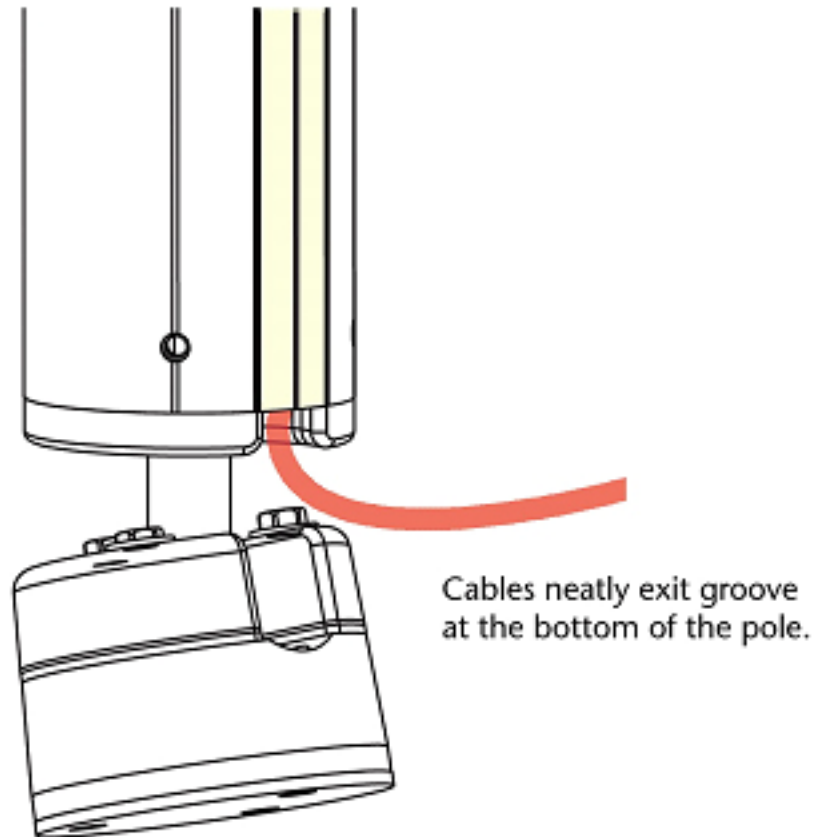
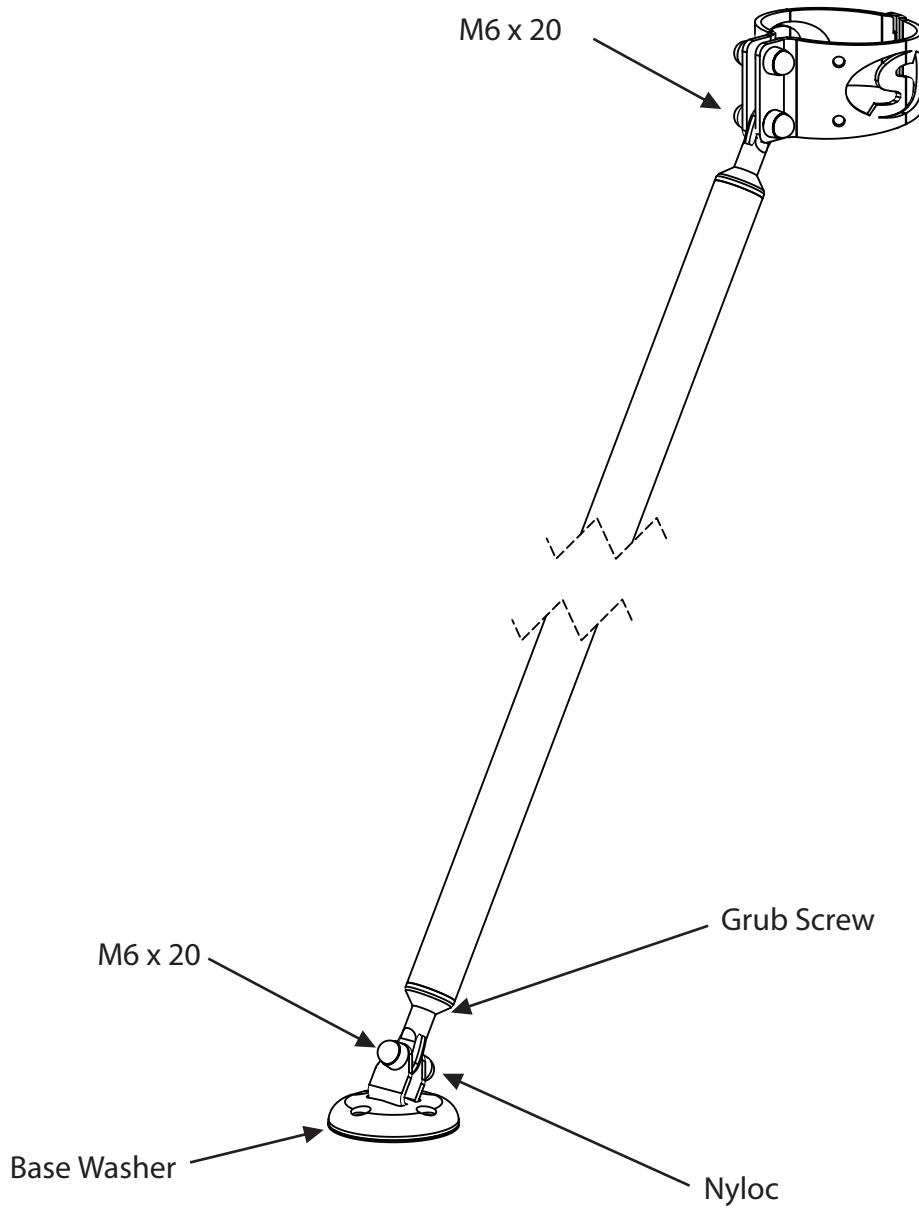


Fig 5. Deck Strut Module



<input type="checkbox"/>	4x M6 x 30 Bolts	60630
<input type="checkbox"/>	4x M6 Nyloc Nut	60060
<input type="checkbox"/>	4x M6 Nylon Washer	60702
<input type="checkbox"/>	8 x M6 Domed Cap	60068
<input type="checkbox"/>	12 x 4.8 x 12mm pop rivet	60665
<input type="checkbox"/>	1x Loctite 242 Sachet	10265
<input type="checkbox"/>	1 x Head Unit + Cradle Fixing Pack	
<input type="checkbox"/>	1 x Dome head M8 bolt	10125LM-12
<input type="checkbox"/>	1 x M8 Castle Nut	60090
<input type="checkbox"/>	2 x M8 Stainless Steel washer	60085
<input type="checkbox"/>	1 x Split pin	60091
<input type="checkbox"/>	2 x M8 x 12mm Grub Screw	60812
<input type="checkbox"/>	4 x M5 x 30 Socket Head Bolts	620530
<input type="checkbox"/>	4 x M5 Nyloc	60061
<input type="checkbox"/>	8 x M5 Shake-proof Washers	64006
<input type="checkbox"/>	LM-GPS Packing List	
<input type="checkbox"/>	1 x GPS adapter for Leveling Mounts	10130LM
<input type="checkbox"/>	1 x M6 Spring Washer	60066
<input type="checkbox"/>	1 x M6 x 8 Socket Cap Screw	60608
<input type="checkbox"/>	1 x 130x185 Bubble Bar	90001

Packed and Checked.....

Identify the top and bottom of the pole. The label is at the top of the pole.

1. Orientate the top casting to face forward lining up the groove in the top with the cable channels. Attach the top casting to the tube using 4 x M6 bolts, washers and Nyloc nuts. Fit white cover caps on the heads of the bolts.
2. Attach the base and spigot part of the adjustable base to the pole using 4 x M6 posidrive and nylon washers. Apply a drop of Loctite to the screw threads before inserting the base into the pole.
3. Assemble the remaining parts of the adjustable base onto the spigot to create a ball joint at the base of the pole using 3 x M8 x 40 bolts and 3 x nylon top hat washers. Tighten bolts to lightly clamp the ball joint.
4. Stand the pole upright in its approximate final position. Orientate the adjustable base so the open slot faces up any slope on the mounting surface. Ensure that the pole is vertical and mark around the base and indicate the position of the open slot.
- 5. If you are fitting the SC117 deck flood light to your SC100 pole, an extra operation is required here, please see separate SC117 installation instructions sheet.**
6. Separate the two halves of the adjustable base and lower the pole. Use the bottom half as a template to mark the bolt holes for the adjustable base and make sure the open slot still faces up the slope. Drill the mounting holes with the 8mm dia. drill through the deck. Attach the base to the deck using 3 x M8 x 60 countersunk bolts, washers and Nyloc nuts.
7. It is recommended that the Satcom is installed onto the pole at this stage. Bolt the Satcom to the top casting, laying the cable in the groove of the top casting and feed it down one of the cable channels. You can bring out the cables at the front or back of the pole to suit your deck installation. If the cable has a large plug attached; slide out the cover strip, lay the cable in the channel and slide in the cover strip from the top of the tube. Fig. 4 demonstrates typical cable routing.
8. It is also recommended that the Levelling Mast Mount is fixed to the pole at this stage, please see separate instructions.
9. Stand the pole upright and re-assemble the adjustable base by attaching its top half using 3 x M8 x 40. Apply a drop of Loctite to each thread before assembly.
10. Attach the two struts to the pole (at 90° to each other) using the 3 inch clamps making sure that the adjustable ends (identified by the inset socket head grub screw) are at the top. Attach the deck eye pads to the bottom of the struts. Unscrew the top eye of each strut by half its thread.
11. Line up the link on each deck pad eye as in Fig. 3, mark drilling holes for each deck strut base and drill 4 x 6mm dia. holes and attach each base with 4 x M6 countersunk bolts, washers and Nyloc nuts.
12. Check that the pole is vertical. Lock the strut in position using the grub screws at the top end. If you need to adjust the length of the strut, release the strut from the clamp, undo the grub screw and turn the eye. Attach the strut to the clamp and lock it as before.
13. Firmly tighten the 3 x M8 x 40 bolts to lock the ball joint in the adjustable base. These bolts must be tight enough to eliminate any movement at the base of the pole.
- 14. Installation of the SC117 deck flood light should now be completed. If applicable, go to point 3 on the SC117 instruction sheet.**

Fig 1. General Arrangement of Modules

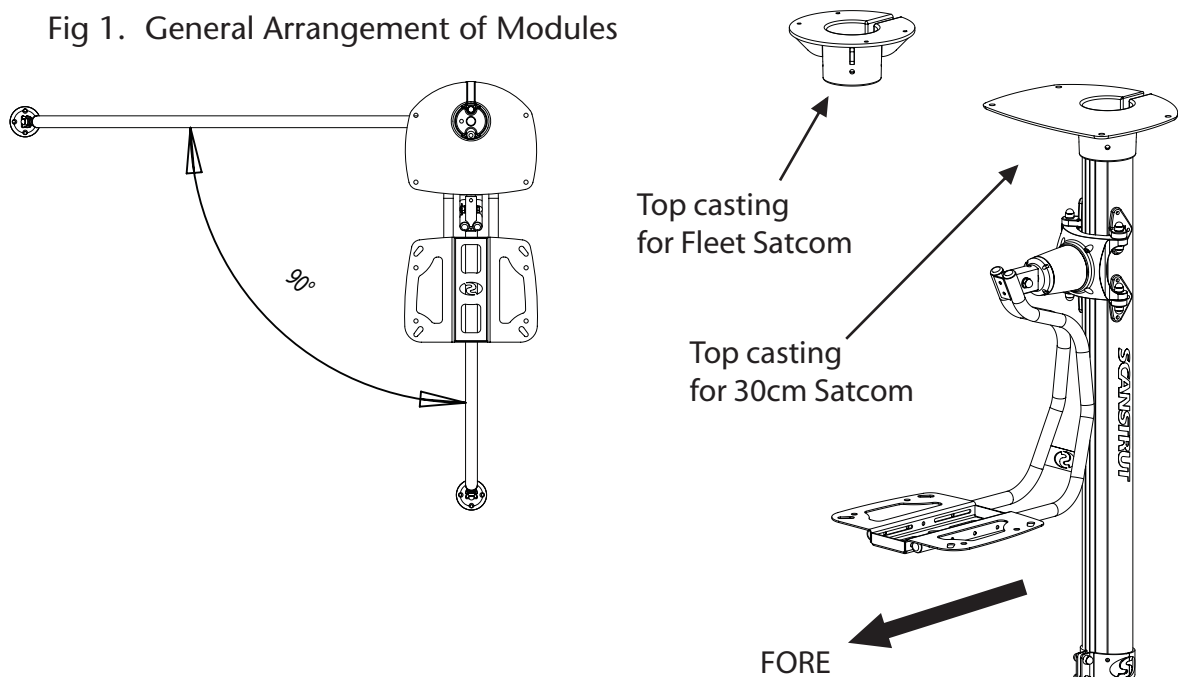


Fig 2. Adjustable Base Module

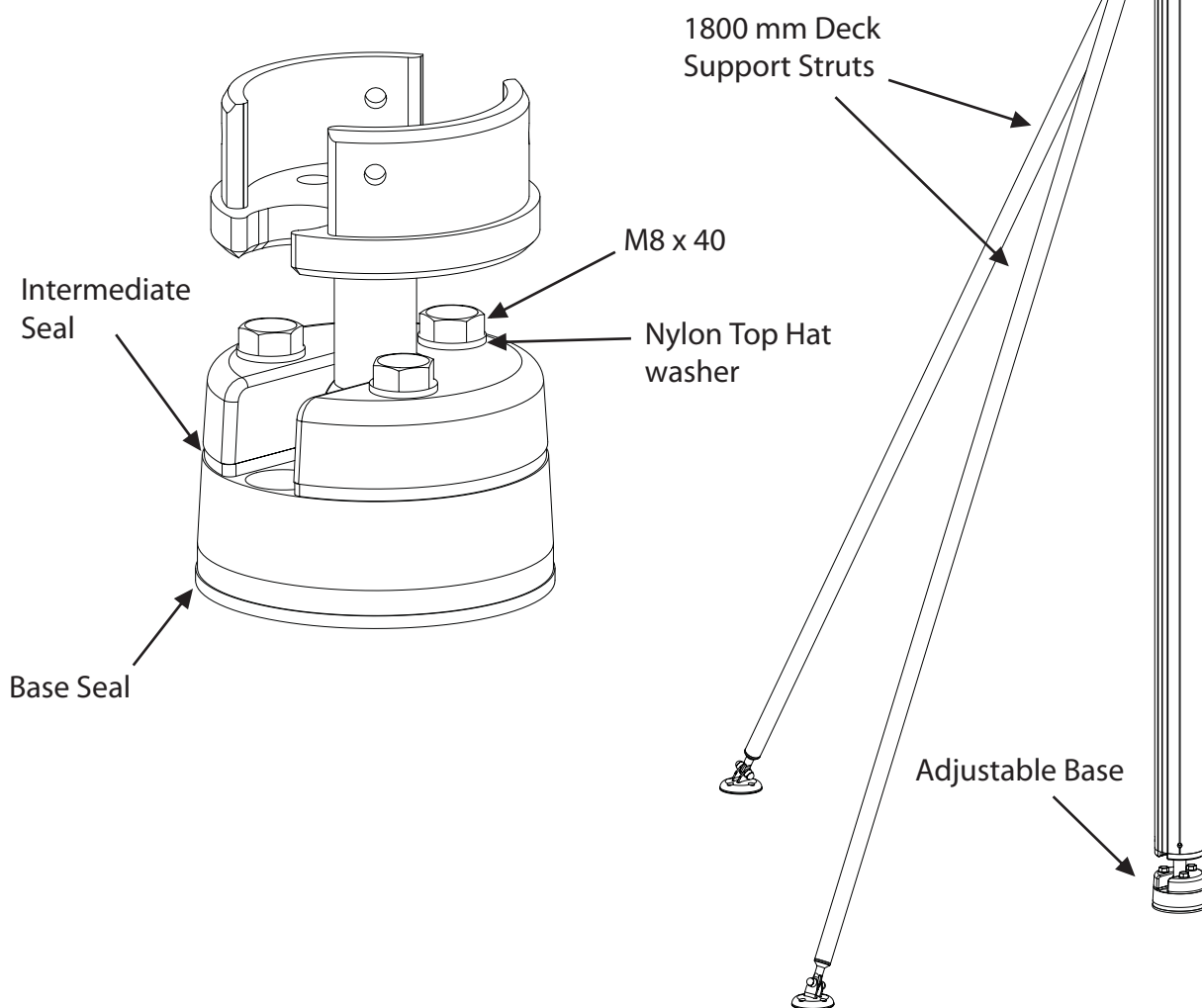


Fig 3. Deck Strut Module

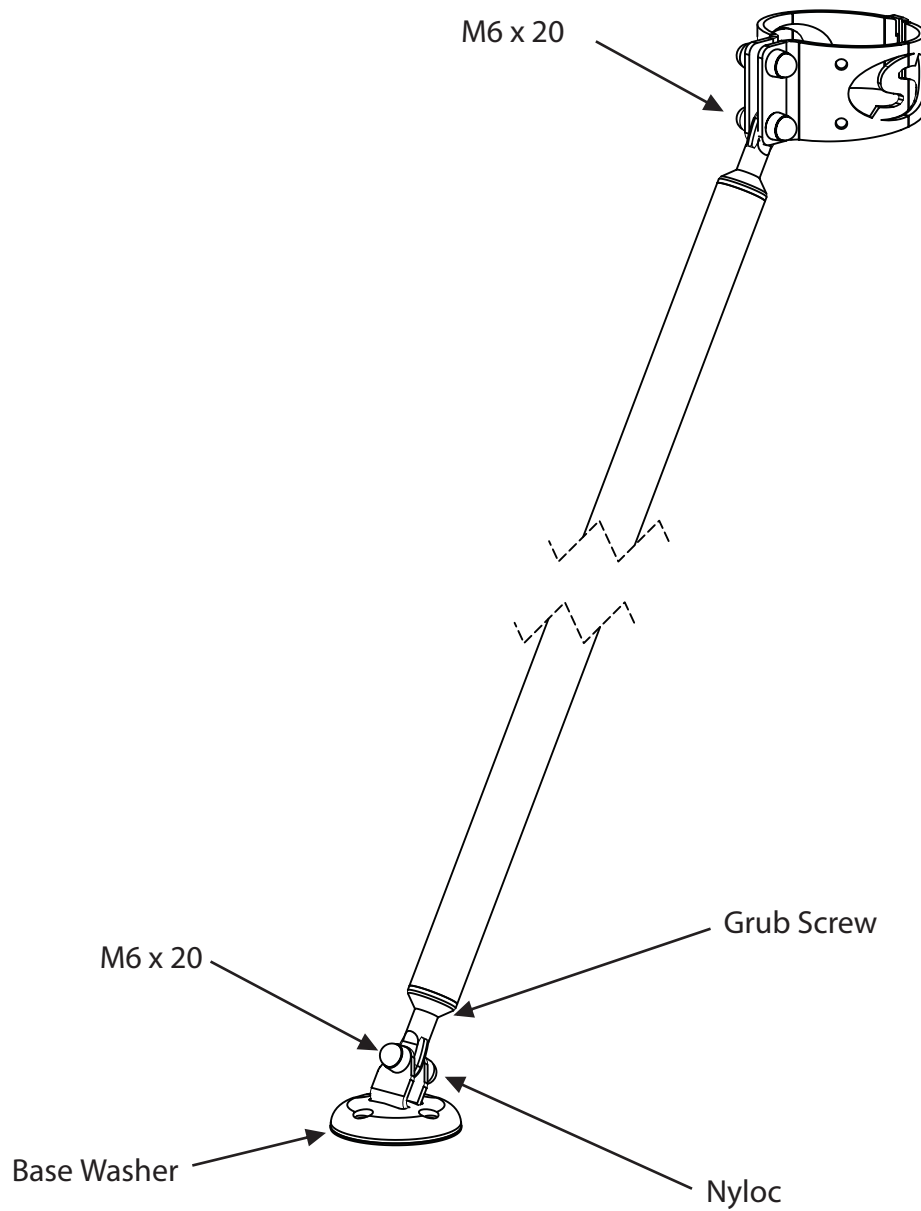


Fig 4. Cable Routing

