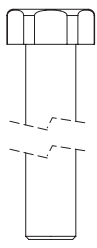











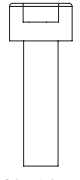


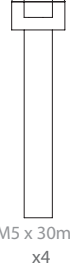
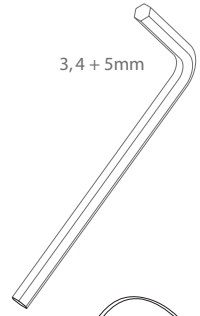
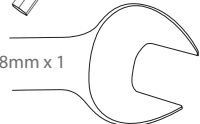
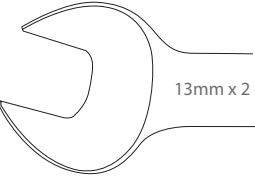
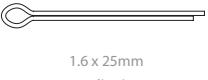

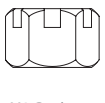
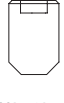
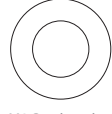
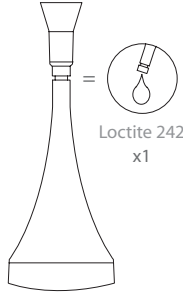
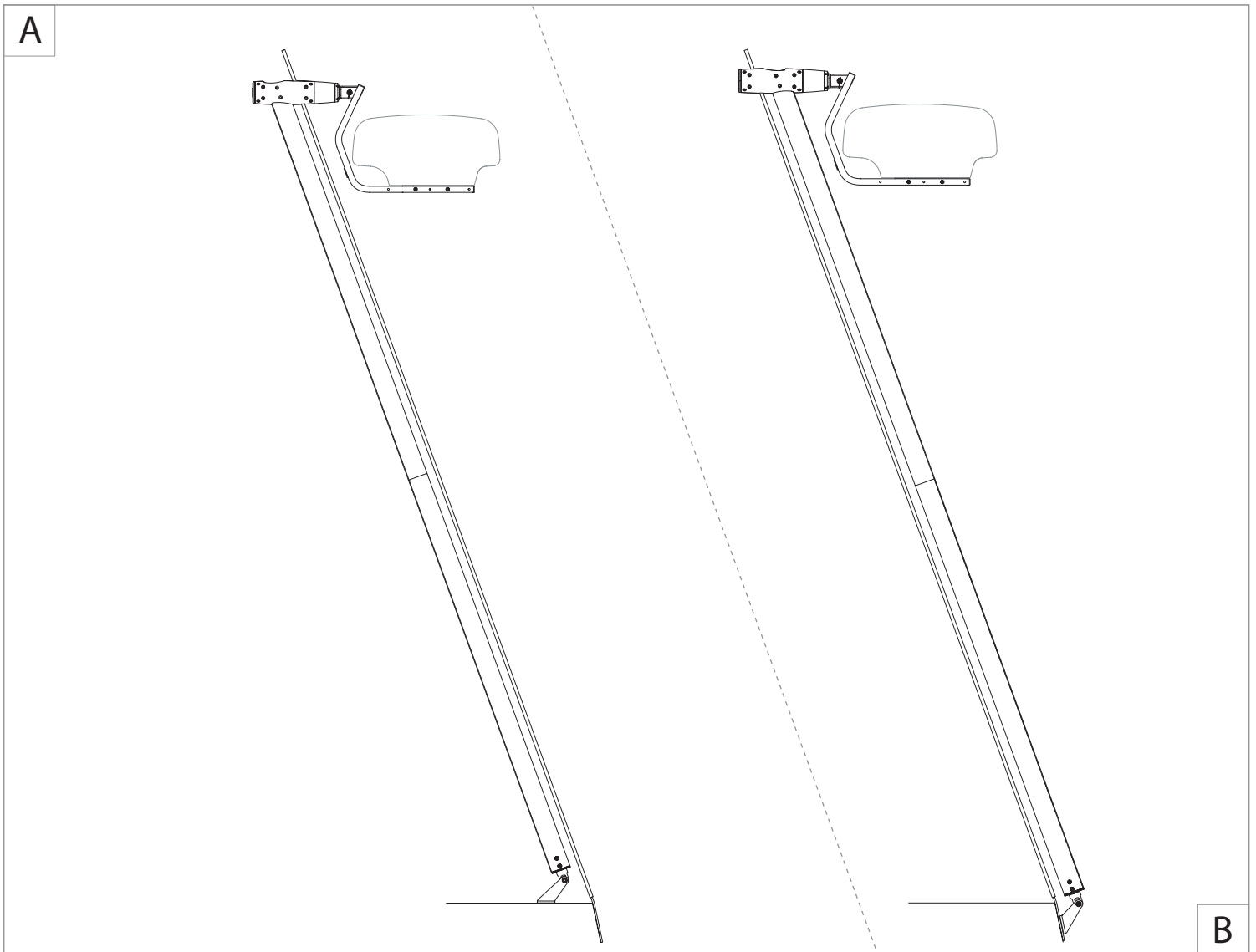


# Scanstrut Backstay Self-Levelling Mount Installation Instructions

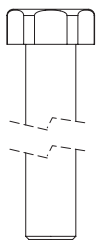















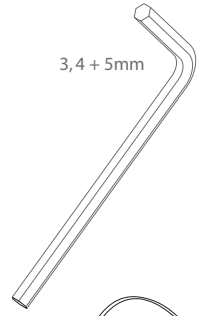
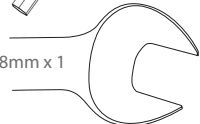
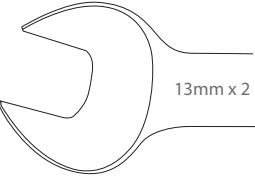
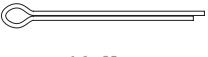

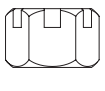

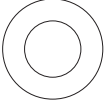
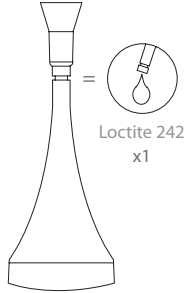
LMB-A1 / LMB-A2

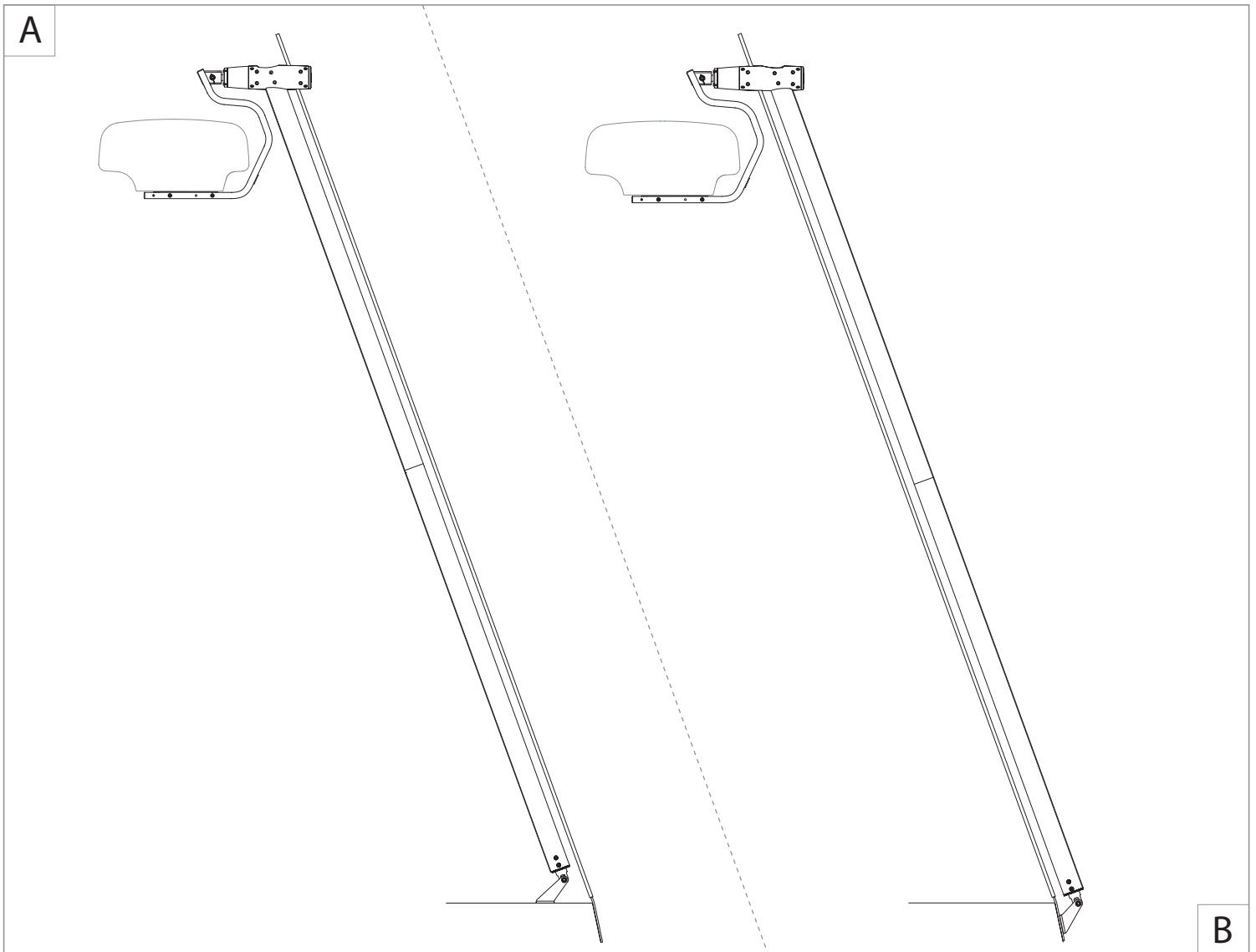
<p><b>1</b></p>  <p>M8 x (?)mm x2</p> <p>(Not Supplied)</p>	<p><b>2</b></p>  <p>M8 Nyloc nut x1</p>  <p>M8 steel washer x2</p>  <p>Nylon Spacer x1</p>  <p>M8 x 55mm x1</p>  <p>M6 x 10mm x2</p>  <p>M6 x 12mm x4</p>  <p>M6 Nylon washer x4</p>  <p>M6 Nylon shoulder x2</p>	<p><b>5</b></p>  <p>M6 x 16mm x4</p>  <p>M6 x 50mm x2</p>	<p><b>7</b></p>  <p>M6 x 10mm x2</p>	<p><b>8</b></p>  <p>M6 x 16mm x8</p>	<p><b>9</b></p>  <p>M5 Nyloc nut x4</p>  <p>M5 washer x4</p>  <p>M5 x 30mm x4</p>	<p><b>Tools Required</b></p>  <p>3,4 + 5mm</p>  <p>8mm x 1</p>  <p>13mm x 2</p>
<p><b>11</b></p>  <p>1.6 x 25mm split pin x1</p>  <p>M8 x 36mm x1</p>  <p>M8 Castle nut x1</p>  <p>M8 x 12mm x2</p>  <p>M8 Steel washer x2</p>						 <p>Loctite 242 x1</p>

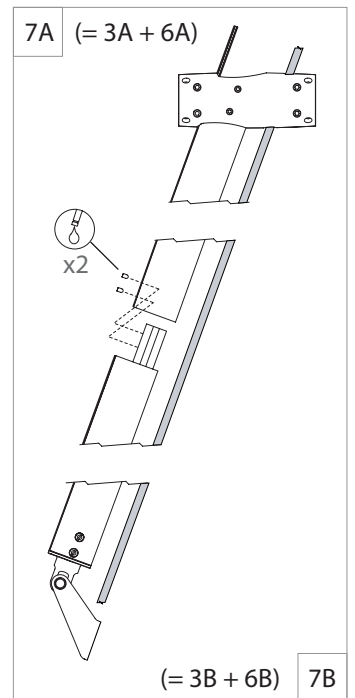
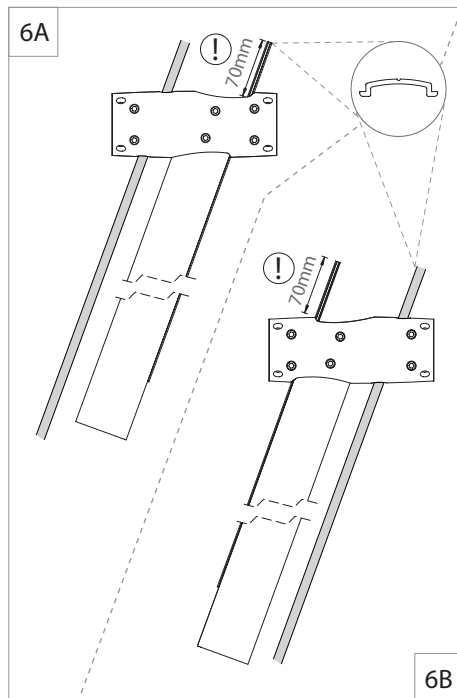
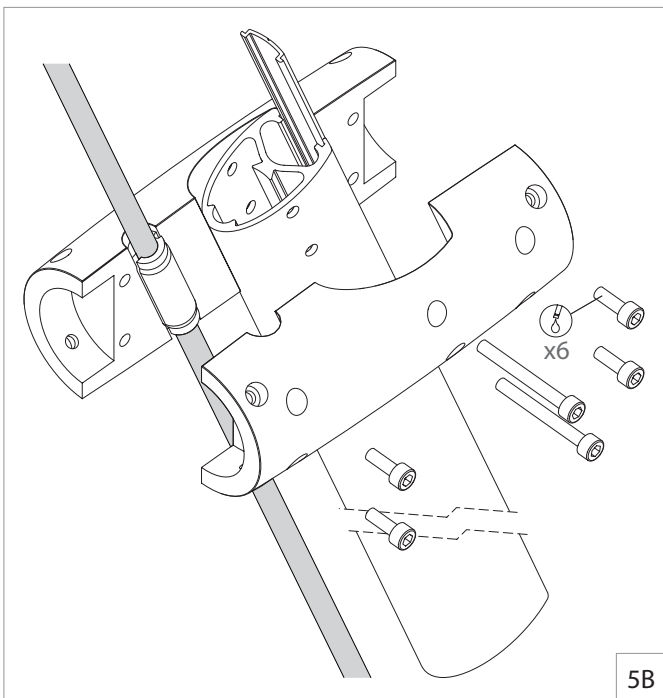
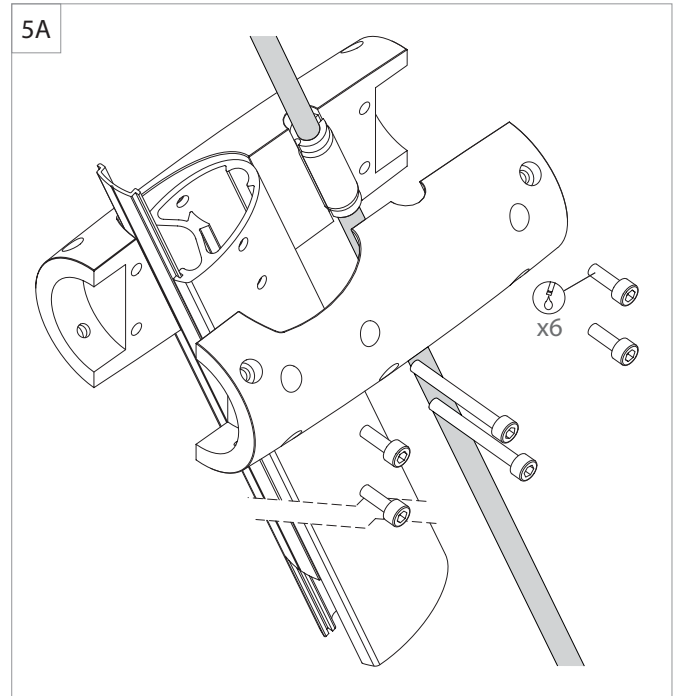
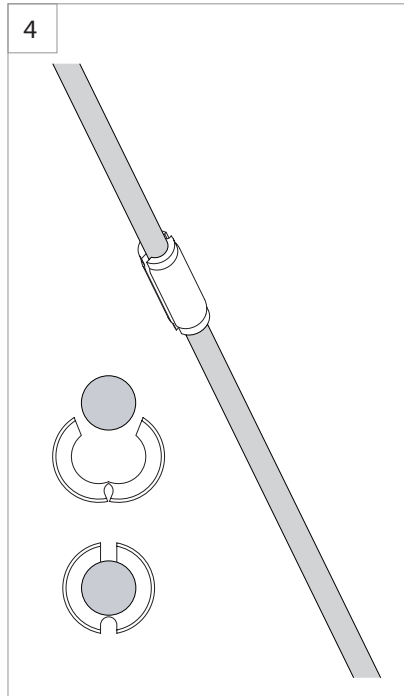
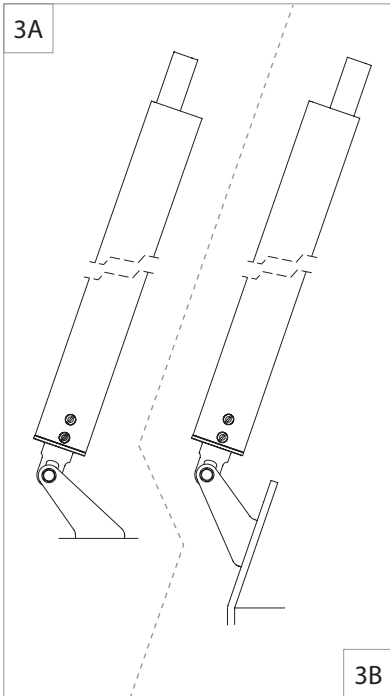
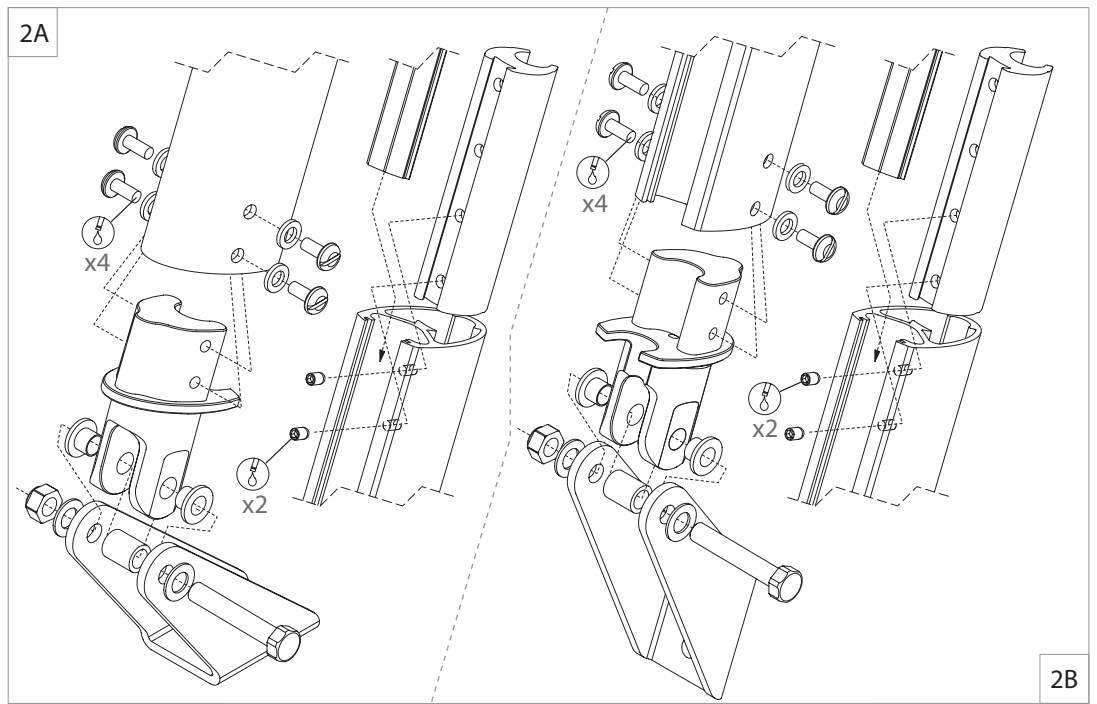
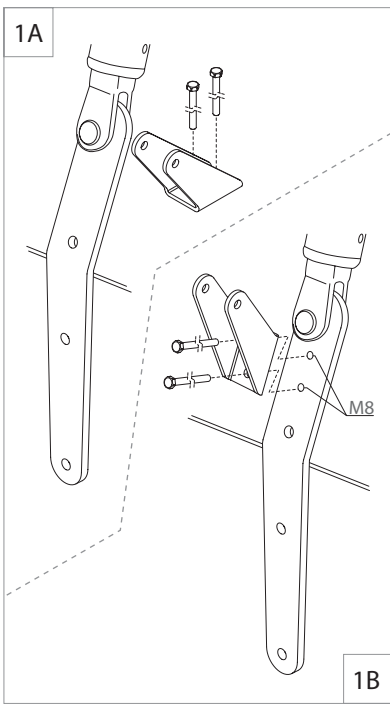


# Scanstrut Backstay Self-Levelling Mount Installation Instructions

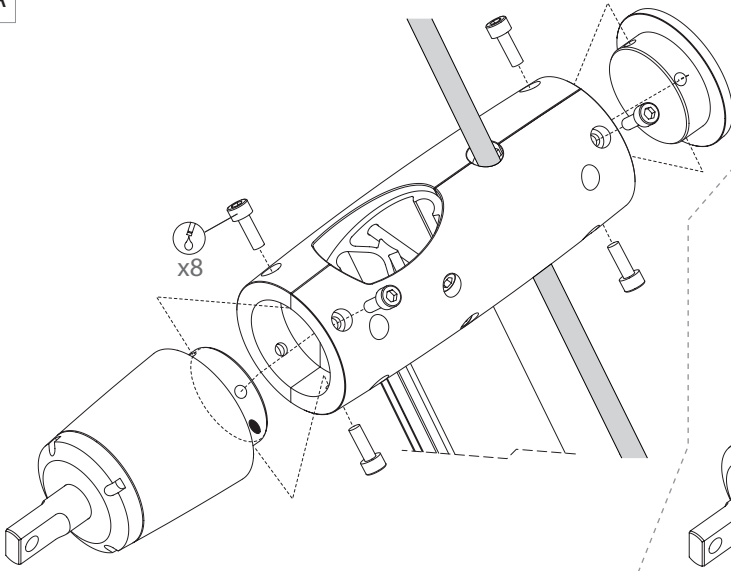
LMB-F1 / LMB-F2

<p><b>1</b></p>  <p>M8 x (?)mm x2</p> <p>(Not Supplied)</p>	<p><b>2</b></p>  <p>M8 Nyloc nut x1</p>  <p>M8 steel washer x2</p>  <p>Nylon Spacer x1</p>  <p>M8 x 55mm x1</p>  <p>M6 x 10mm x2</p>  <p>M6 x 12mm x4</p>  <p>M6 Nylon washer x4</p>  <p>M6 Nylon shoulder x2</p>	<p><b>5</b></p>  <p>M6 x 16mm x4</p>  <p>M6 x 50mm x2</p>	<p><b>7</b></p>  <p>M6 x 10mm x2</p>	<p><b>8</b></p>  <p>M6 x 16mm x8</p>	<p><b>9</b></p>  <p>M5 Nyloc nut x4</p>  <p>M5 washer x4</p>  <p>M5 x 30mm x4</p>	<p><b>Tools Required</b></p>  <p>3, 4 + 5mm</p>  <p>8mm x 1</p>  <p>13mm x 2</p>
<p><b>11</b></p>  <p>1.6 x 25mm split pin x1</p>  <p>M8 x 36mm x1</p>  <p>M8 Castle nut x1</p>  <p>M8 x 12mm x2</p>  <p>M8 Steel washer x2</p>						 <p>Loctite 242 x1</p>



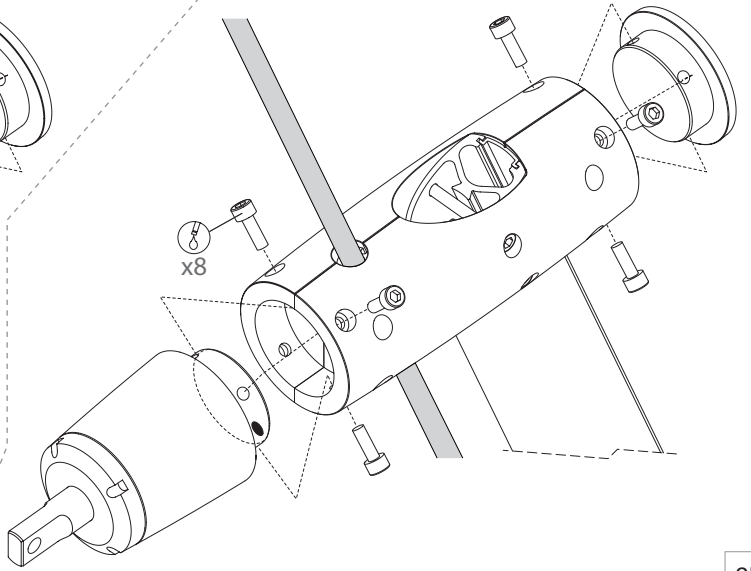


8A

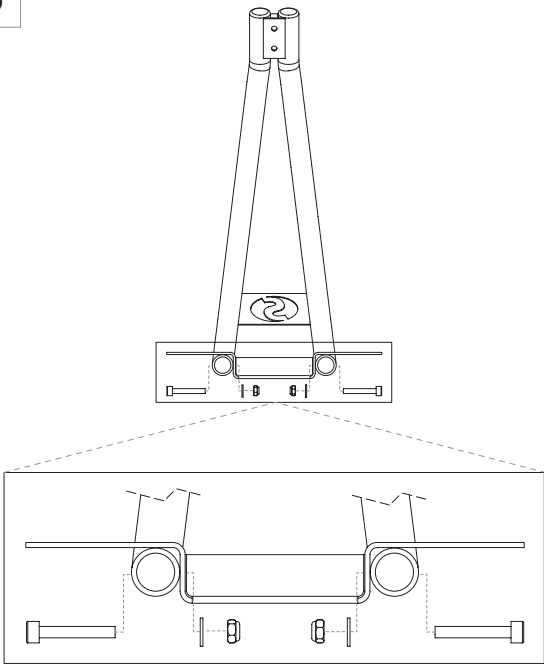


x8

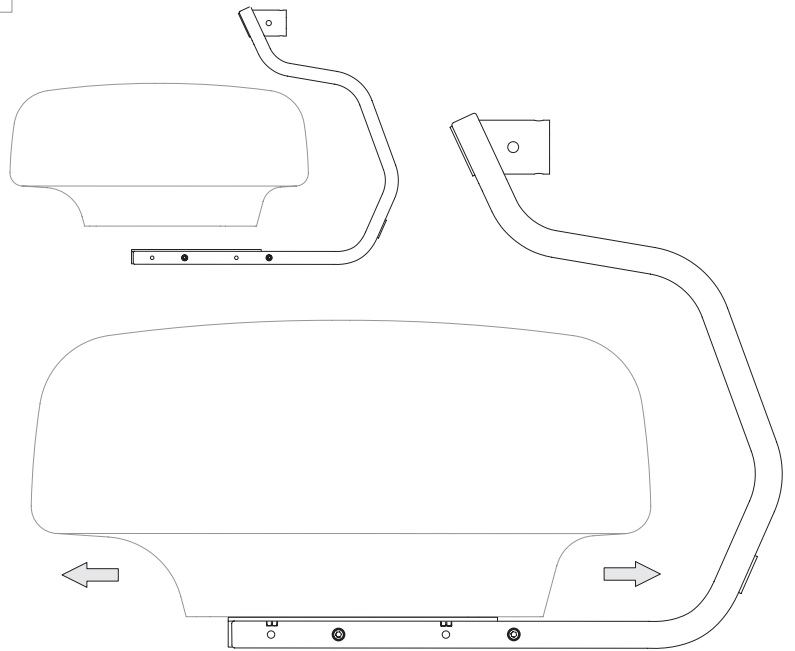
8B



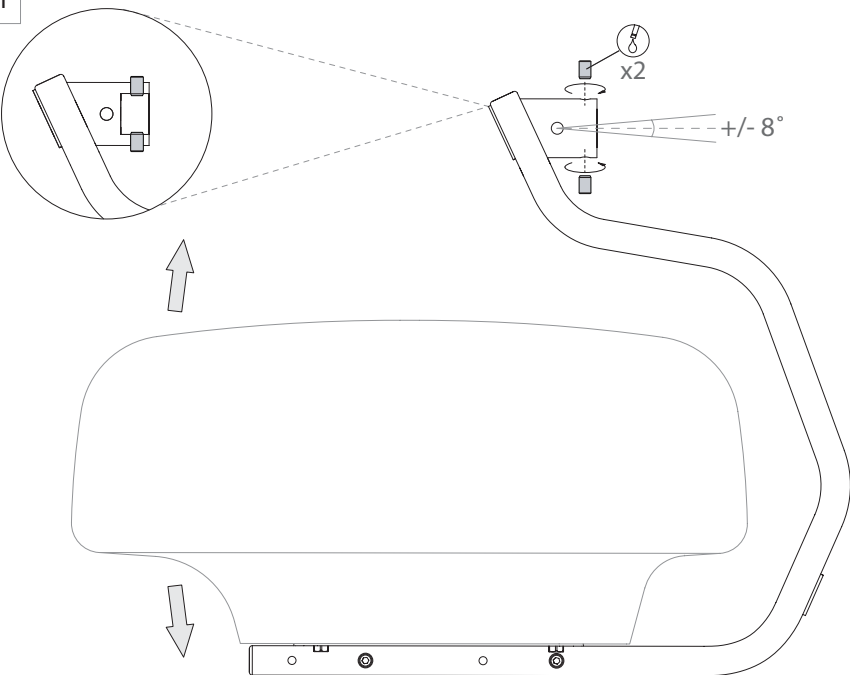
9



10

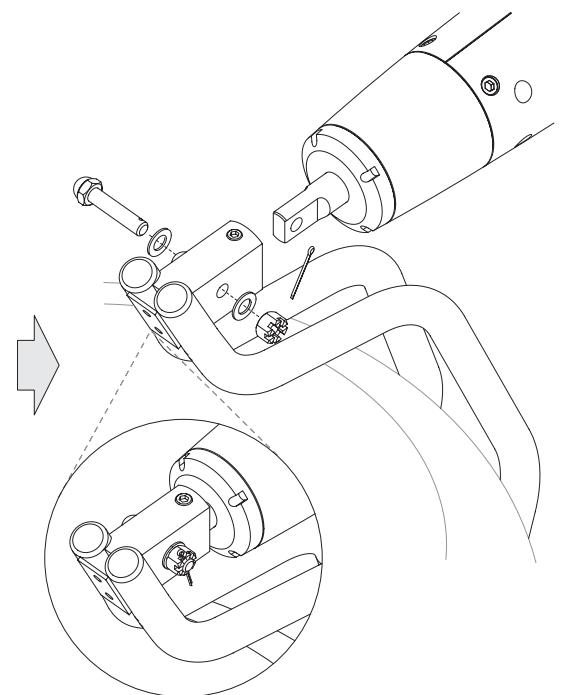


11

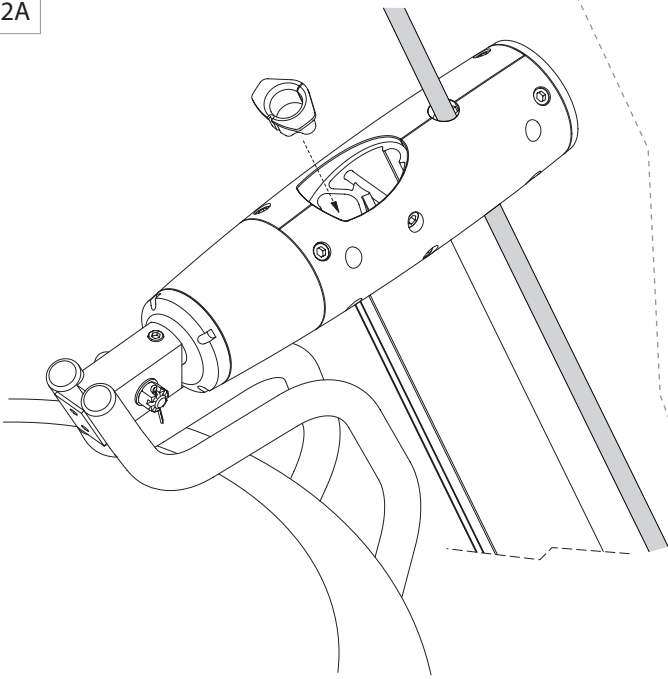


x2

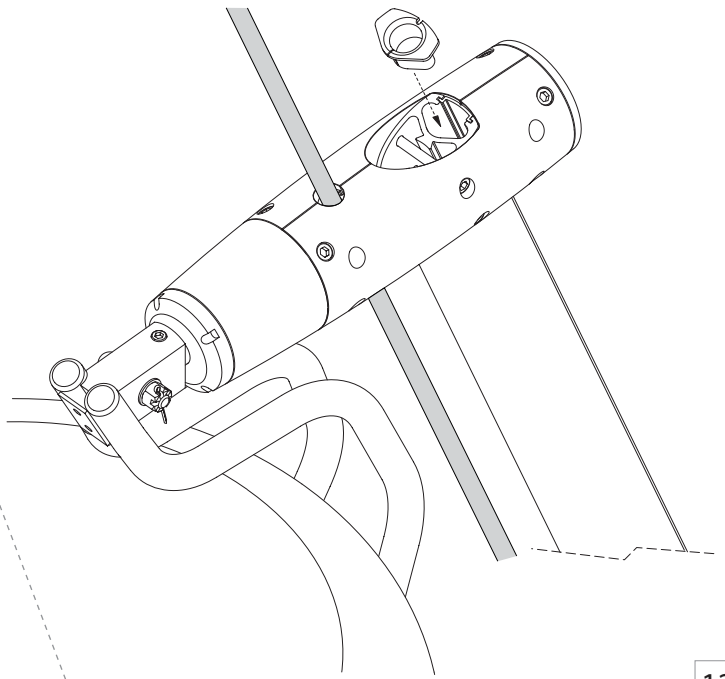
+/- 8°



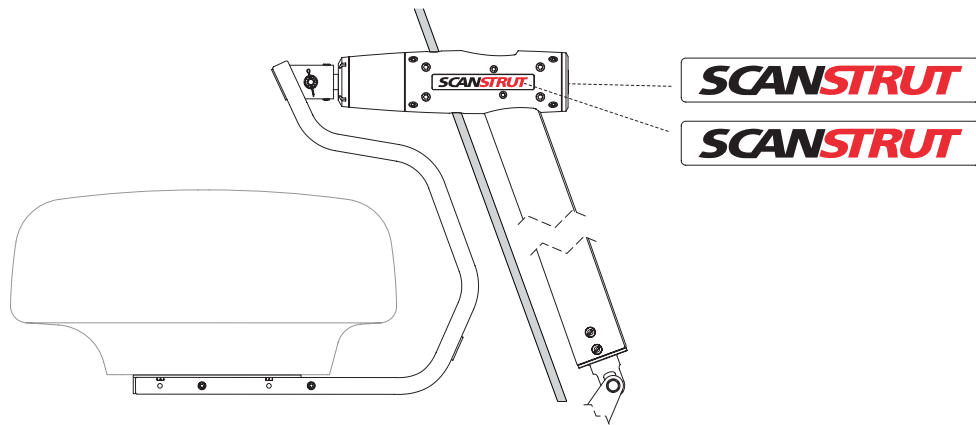
12A



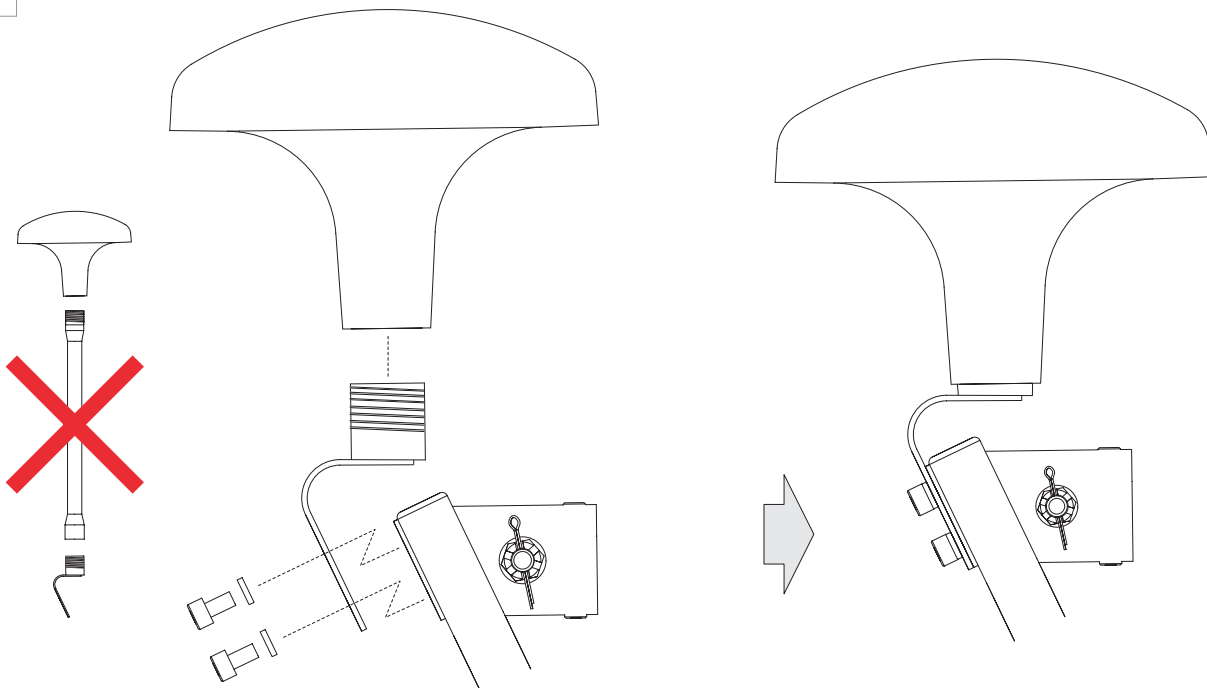
12B

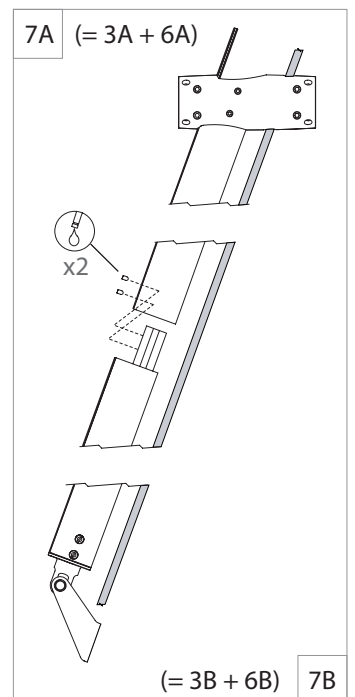
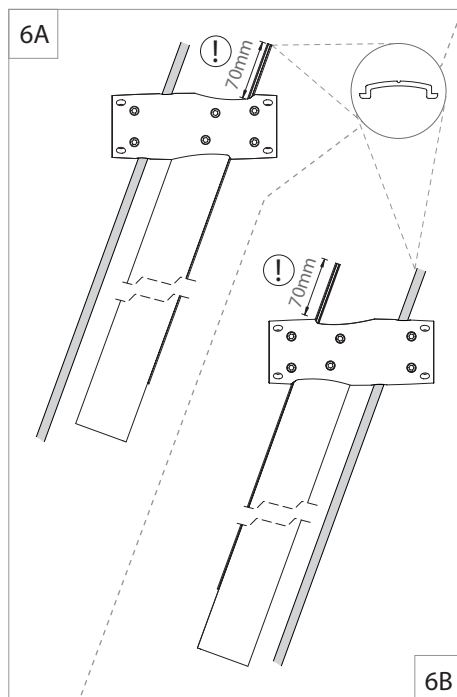
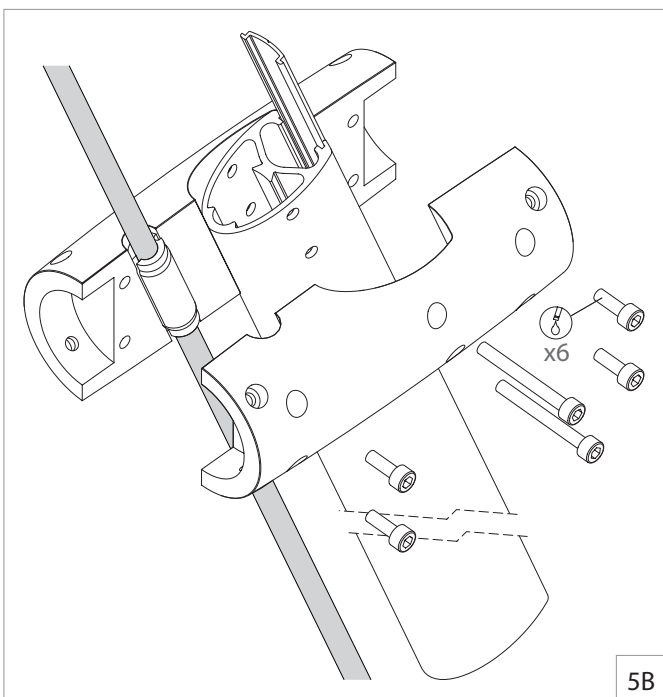
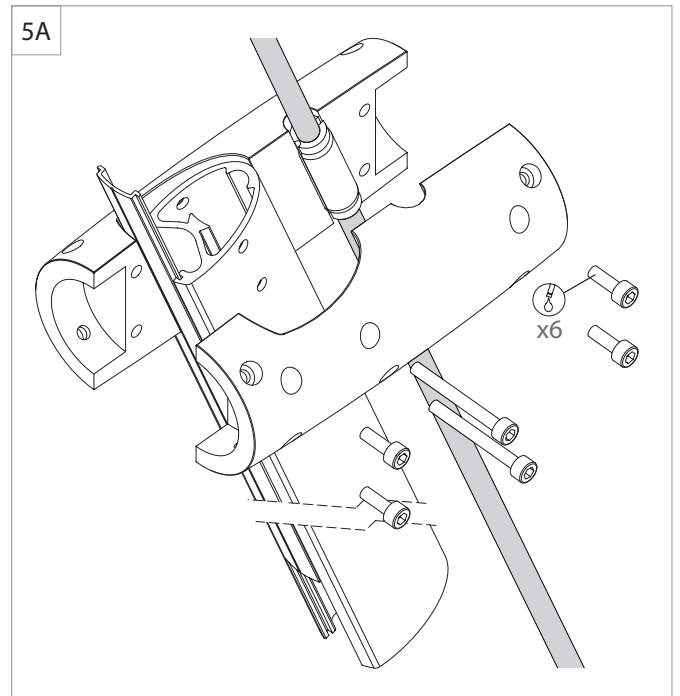
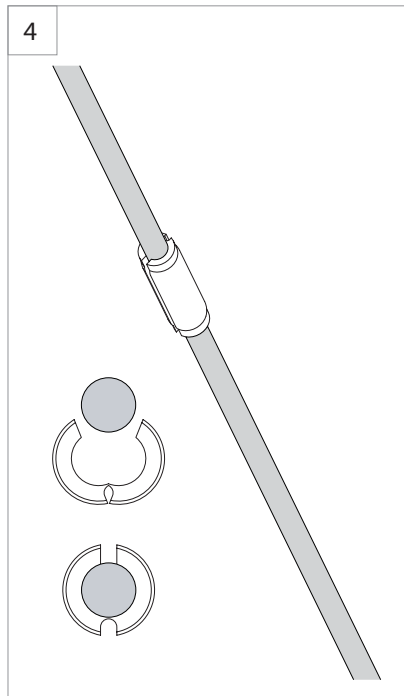
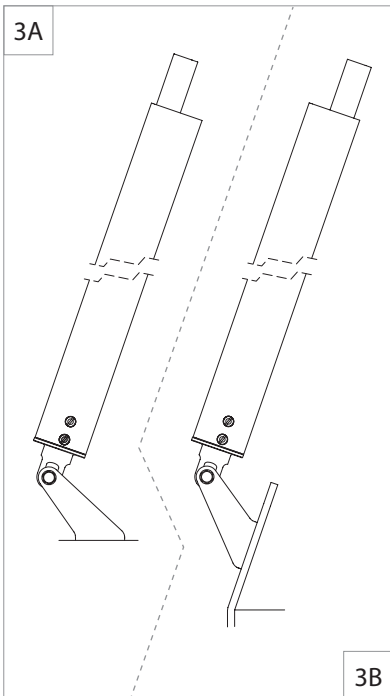
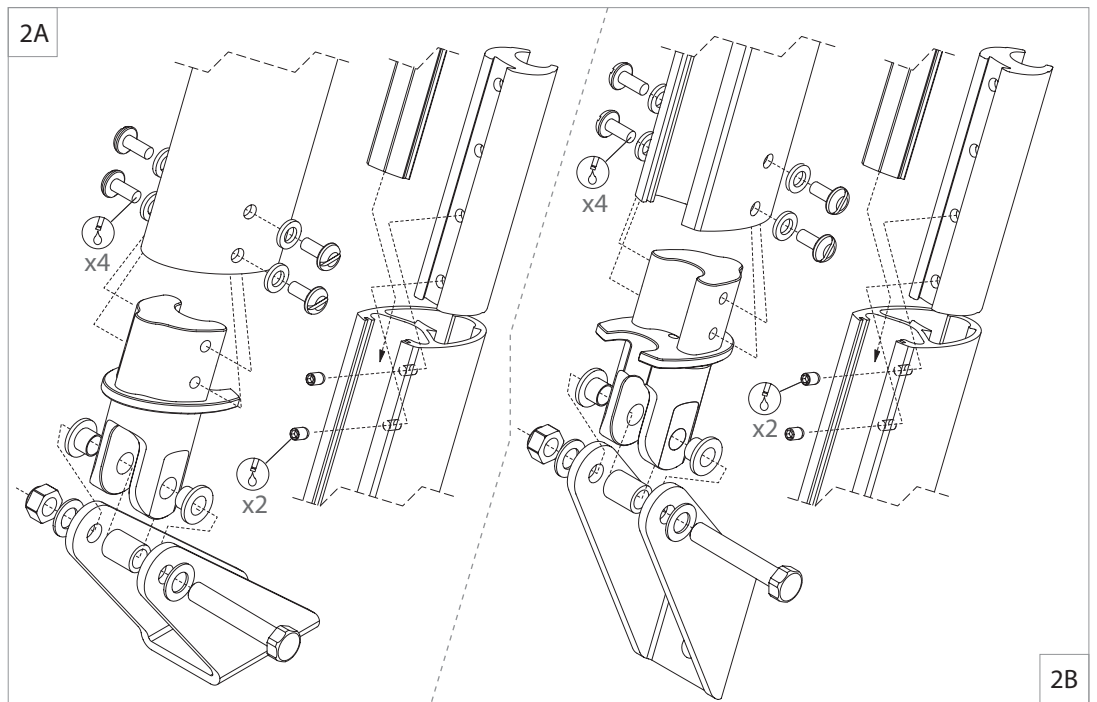
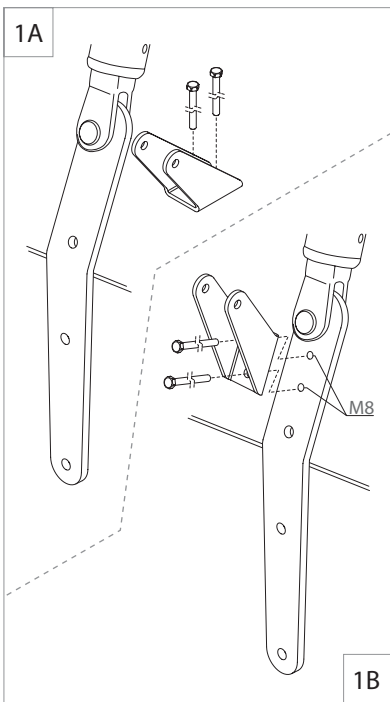


13

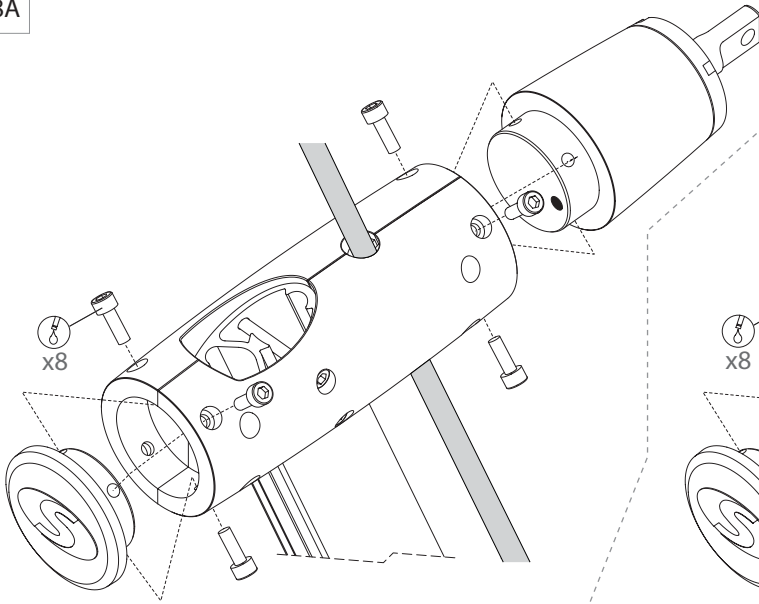


GPS

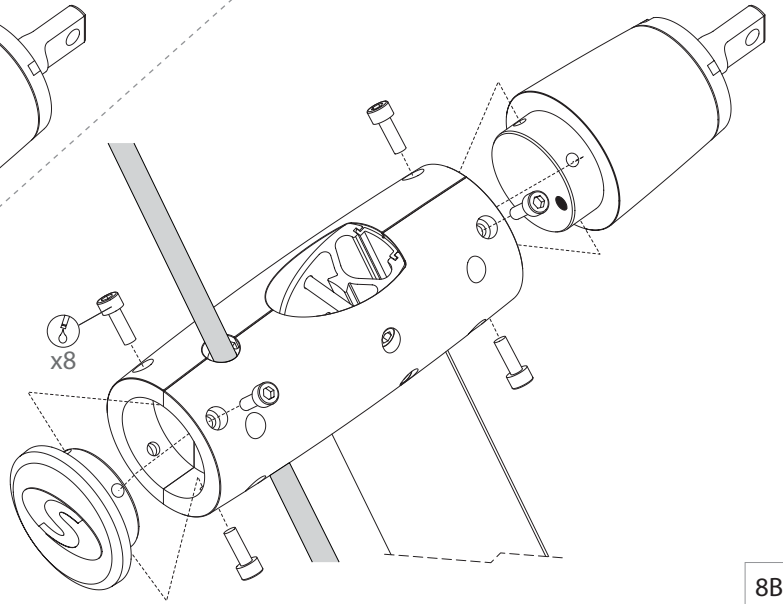




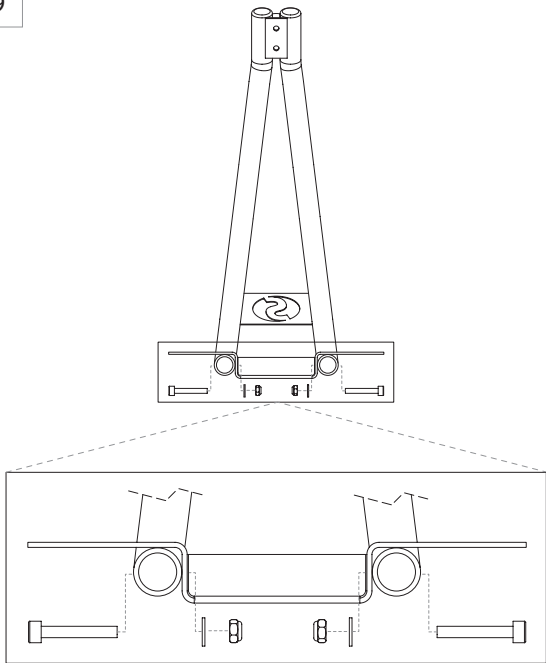
8A



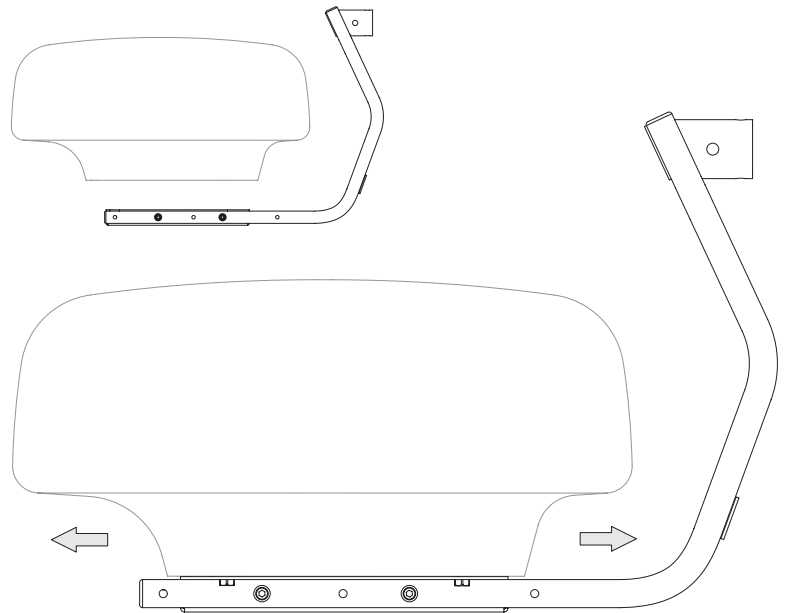
8B



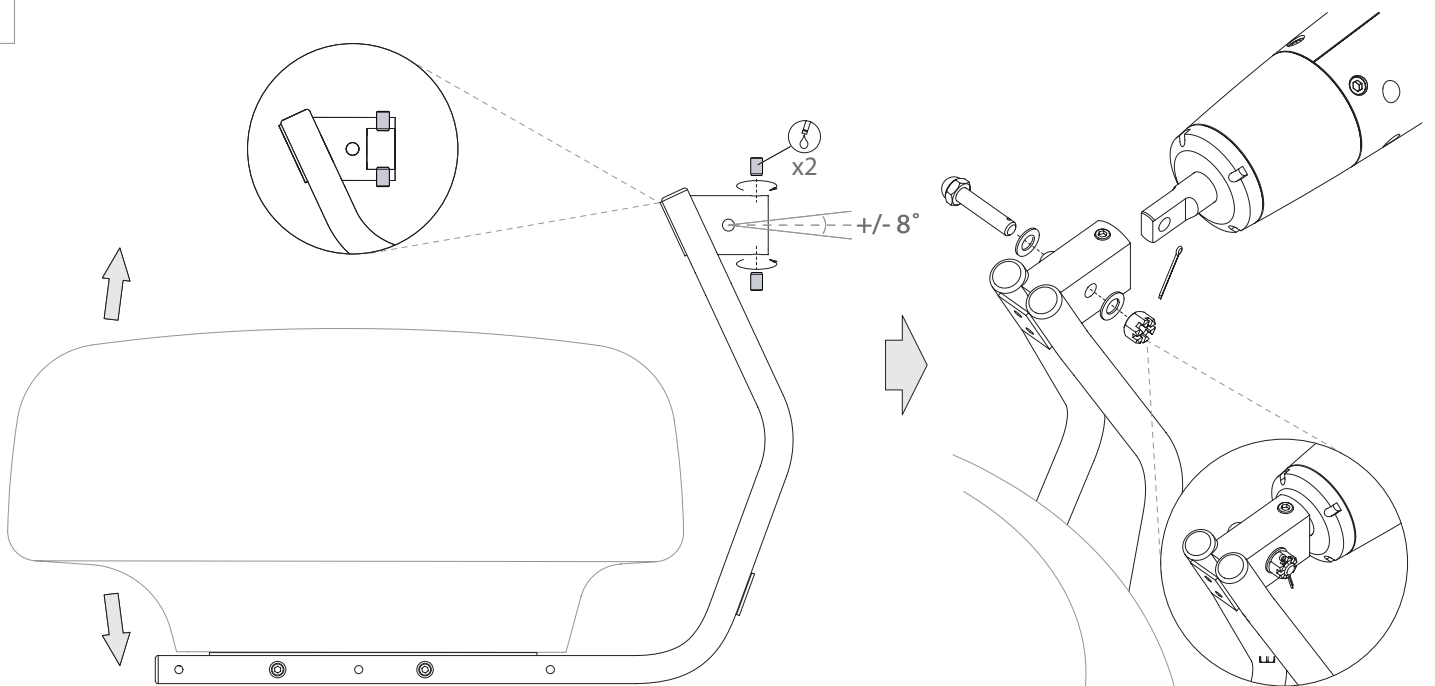
9



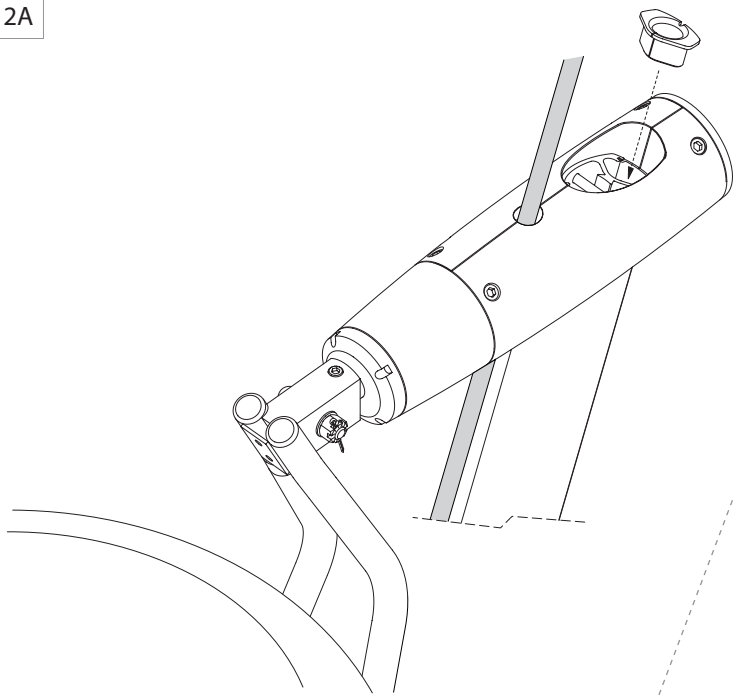
10



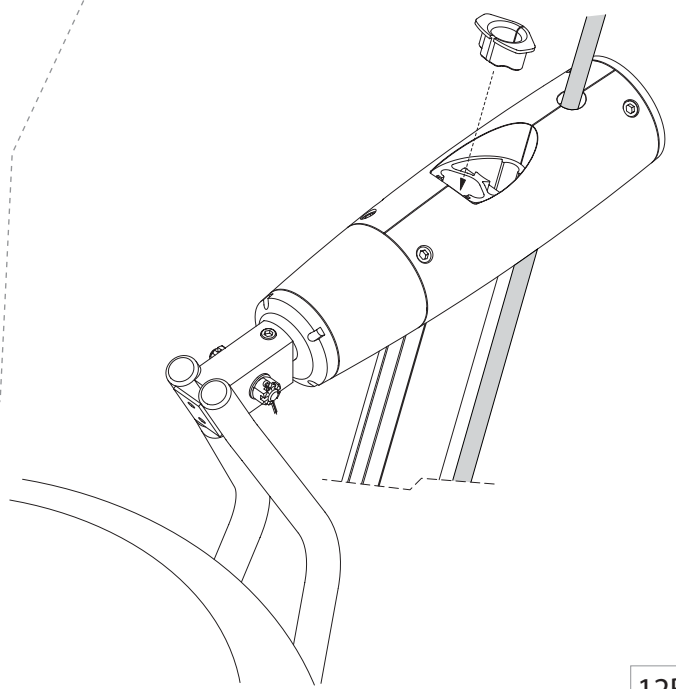
11



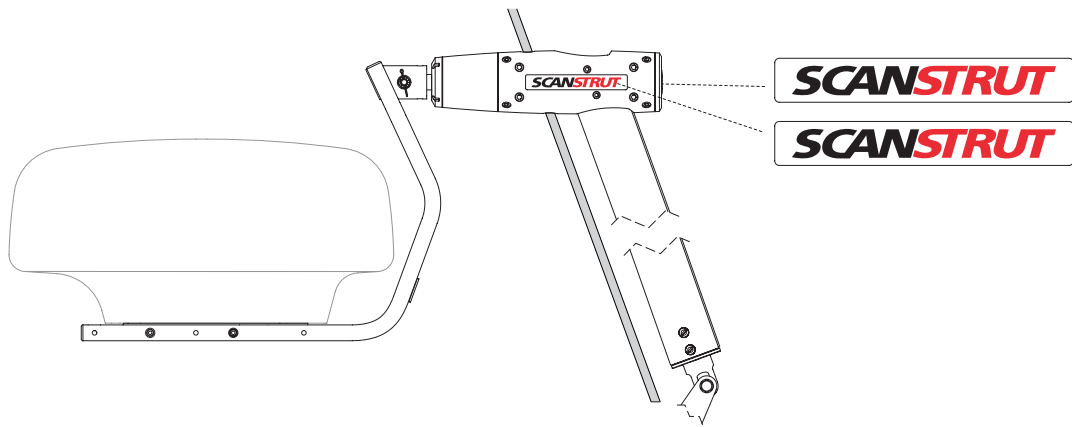
12A



12B



13



GPS

