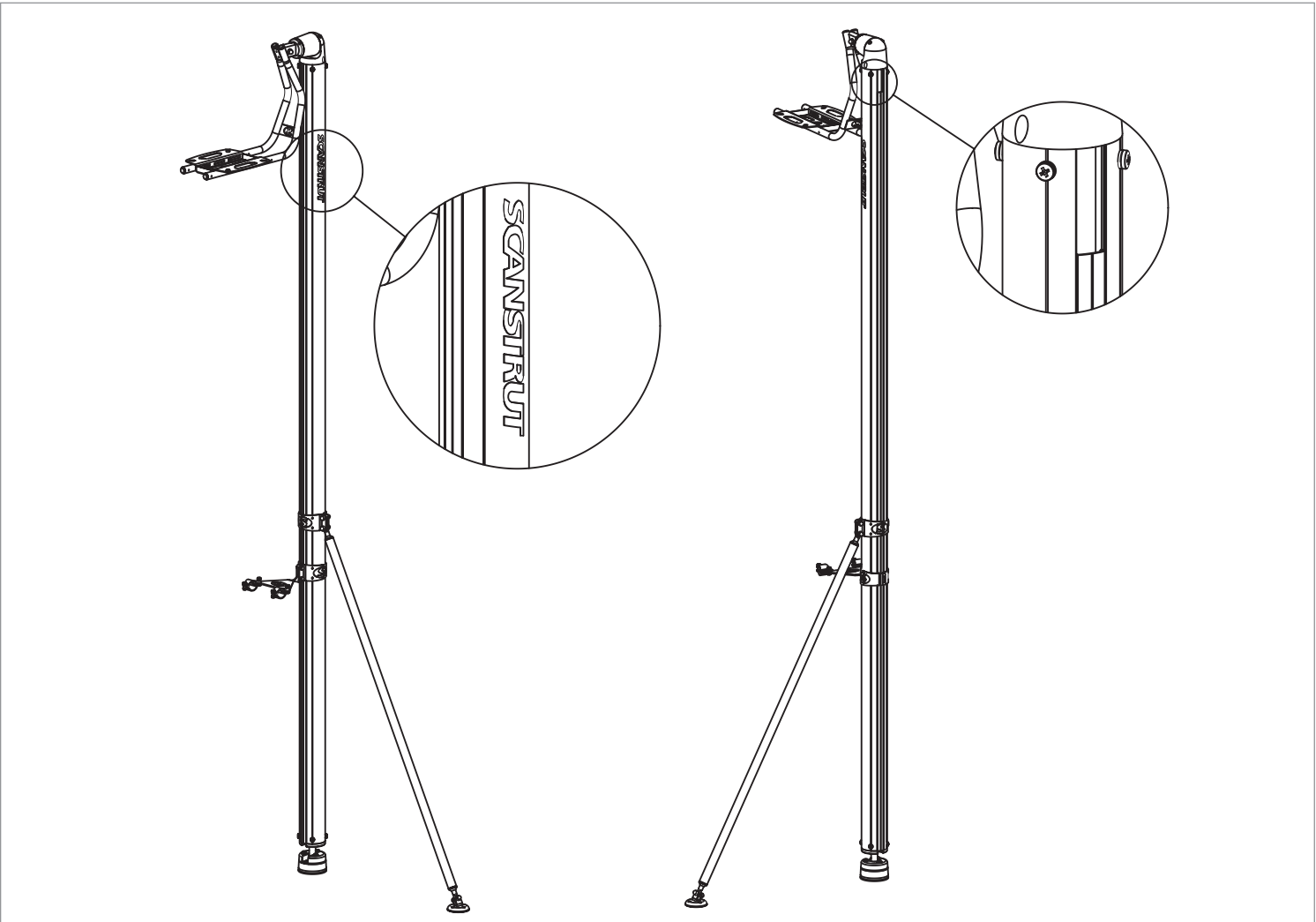
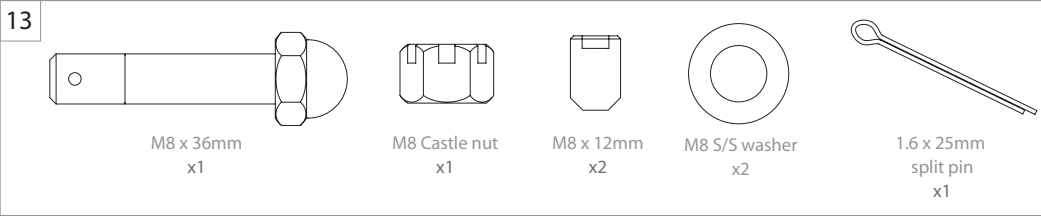
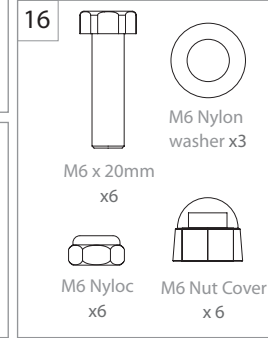
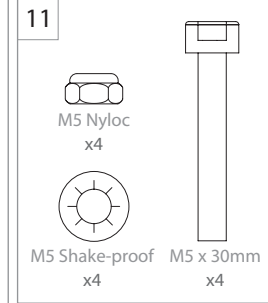
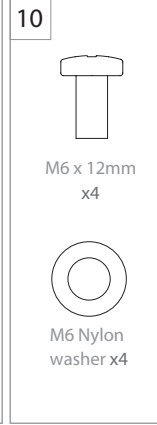
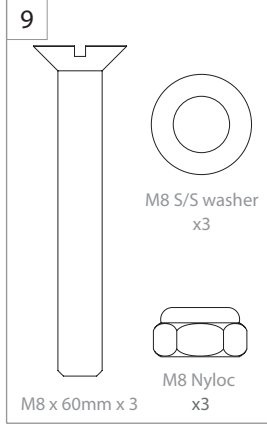
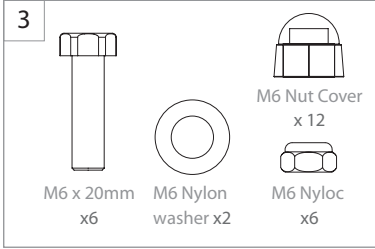
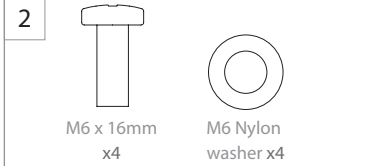
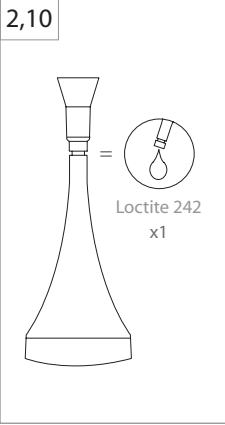
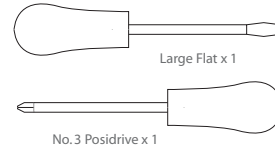
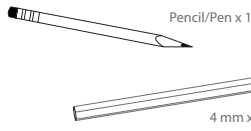
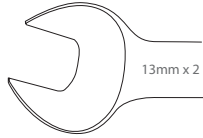
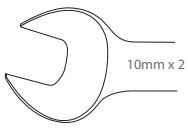
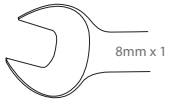
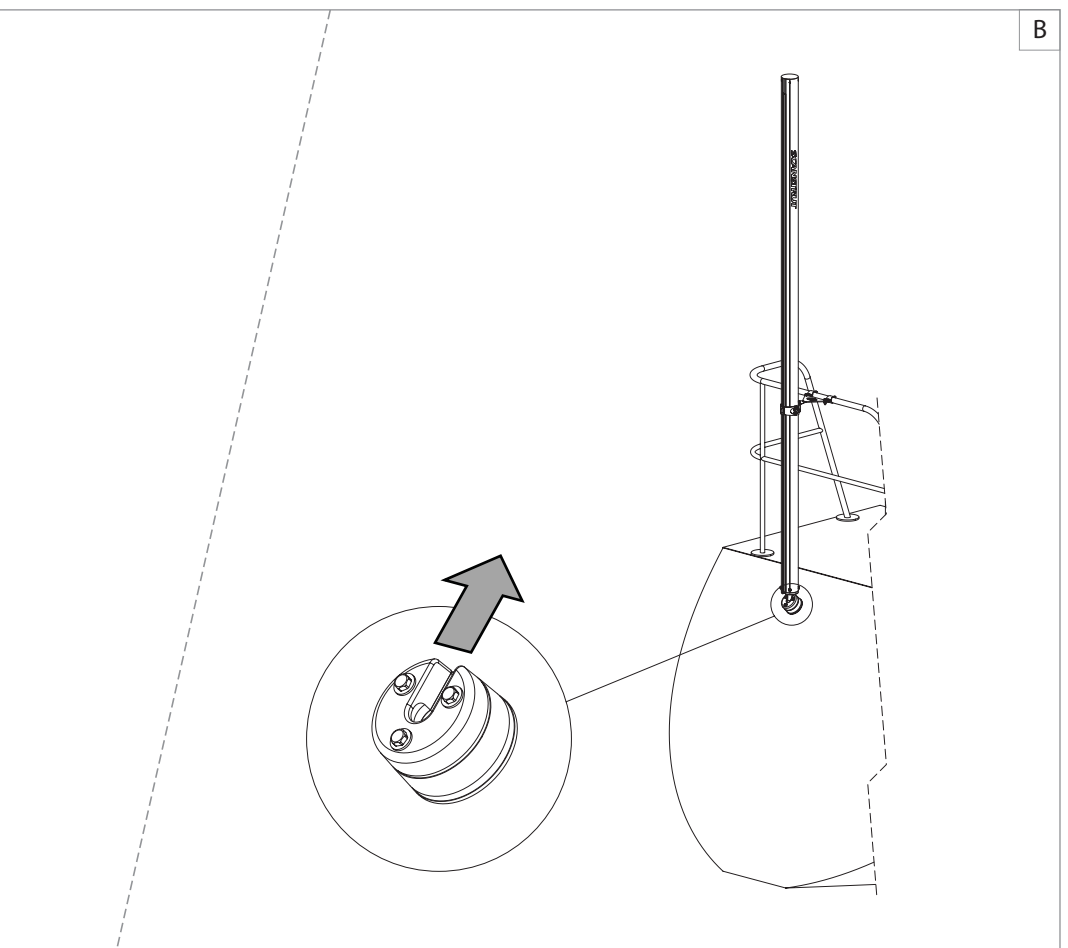
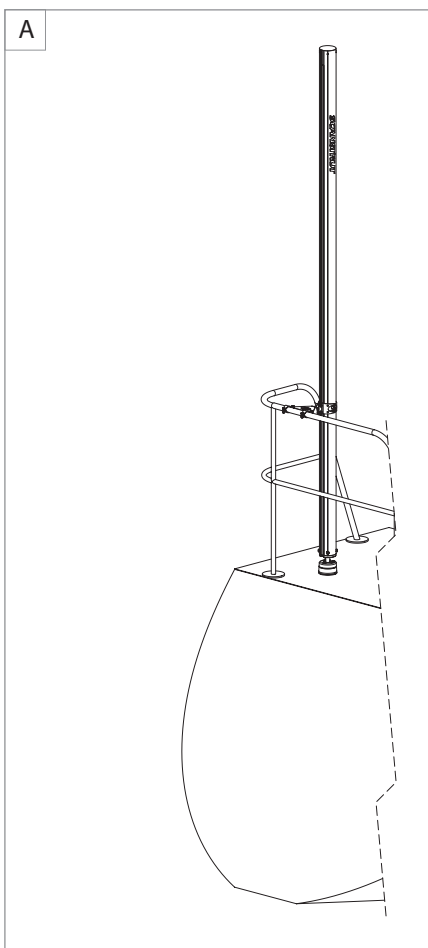
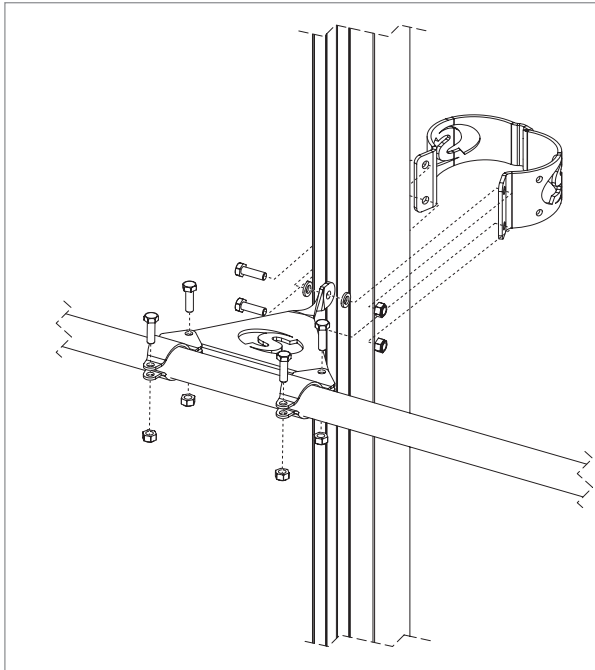
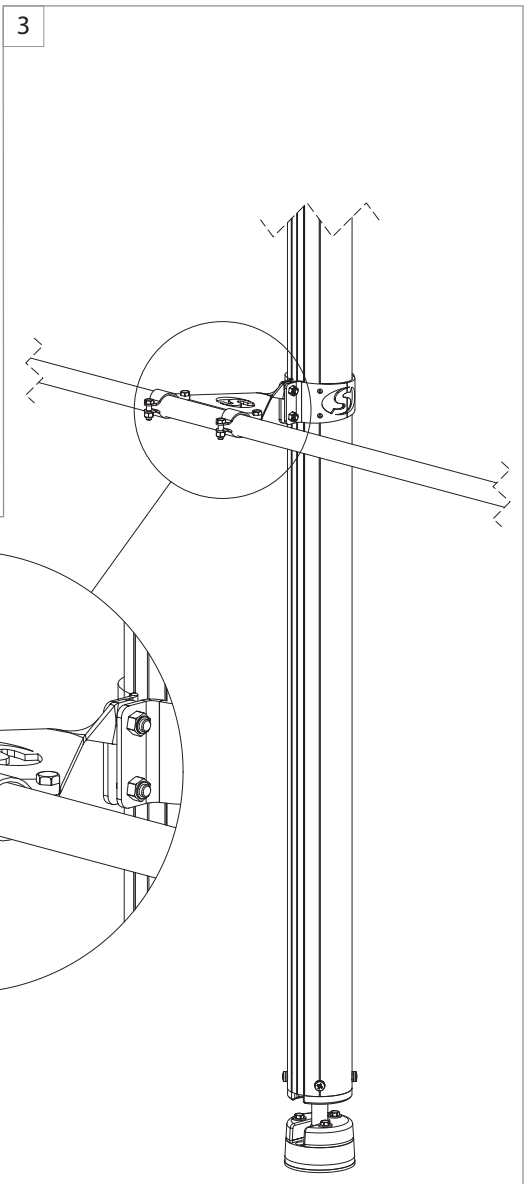
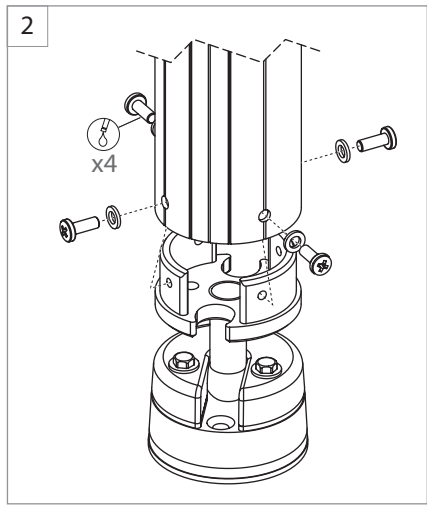
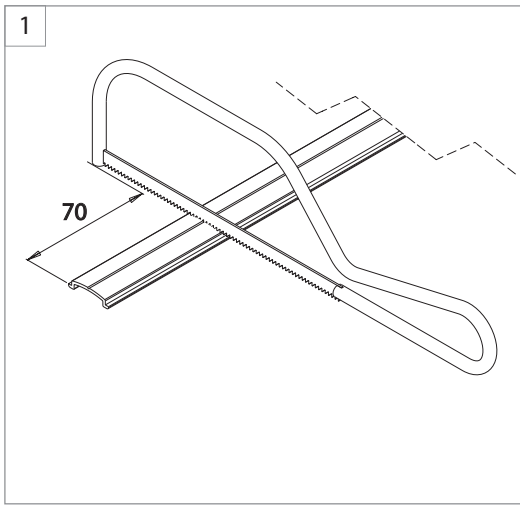


Scanstrut SC100 Pole with Self-Levelling Radar Mount Installation Instructions

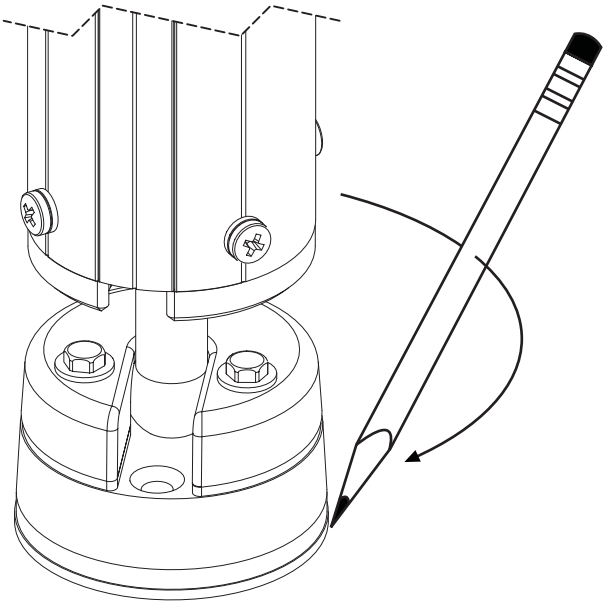
LMP-1 / LMP-2

Tools Required

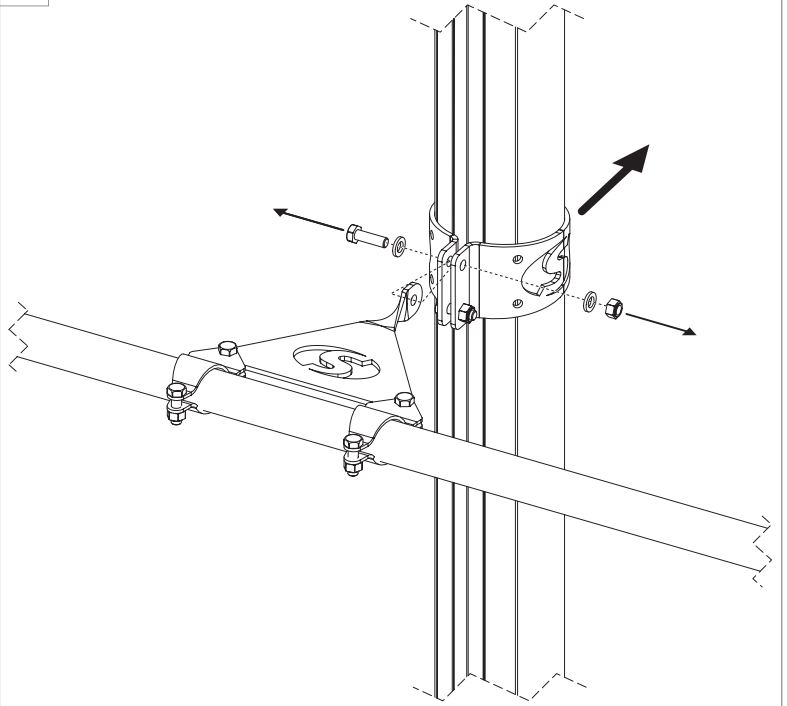




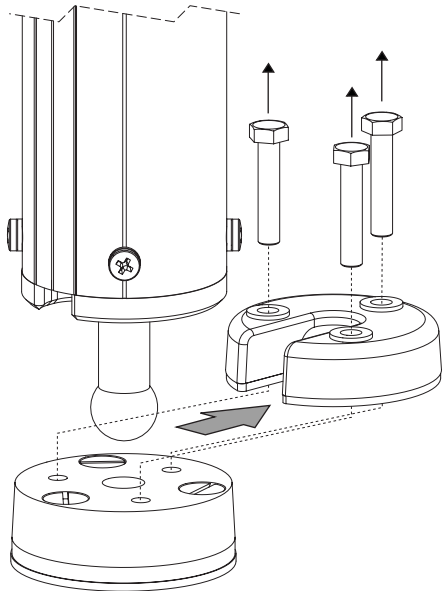
4



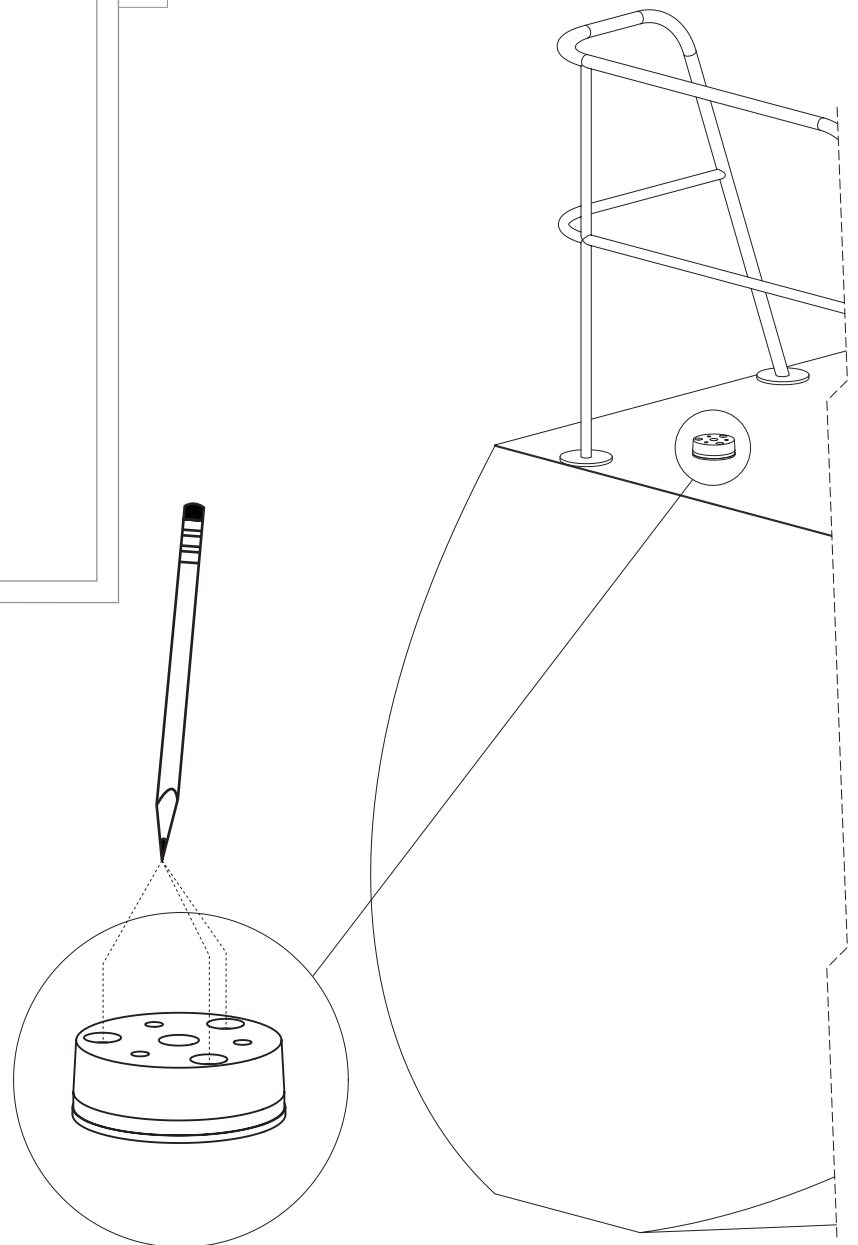
5

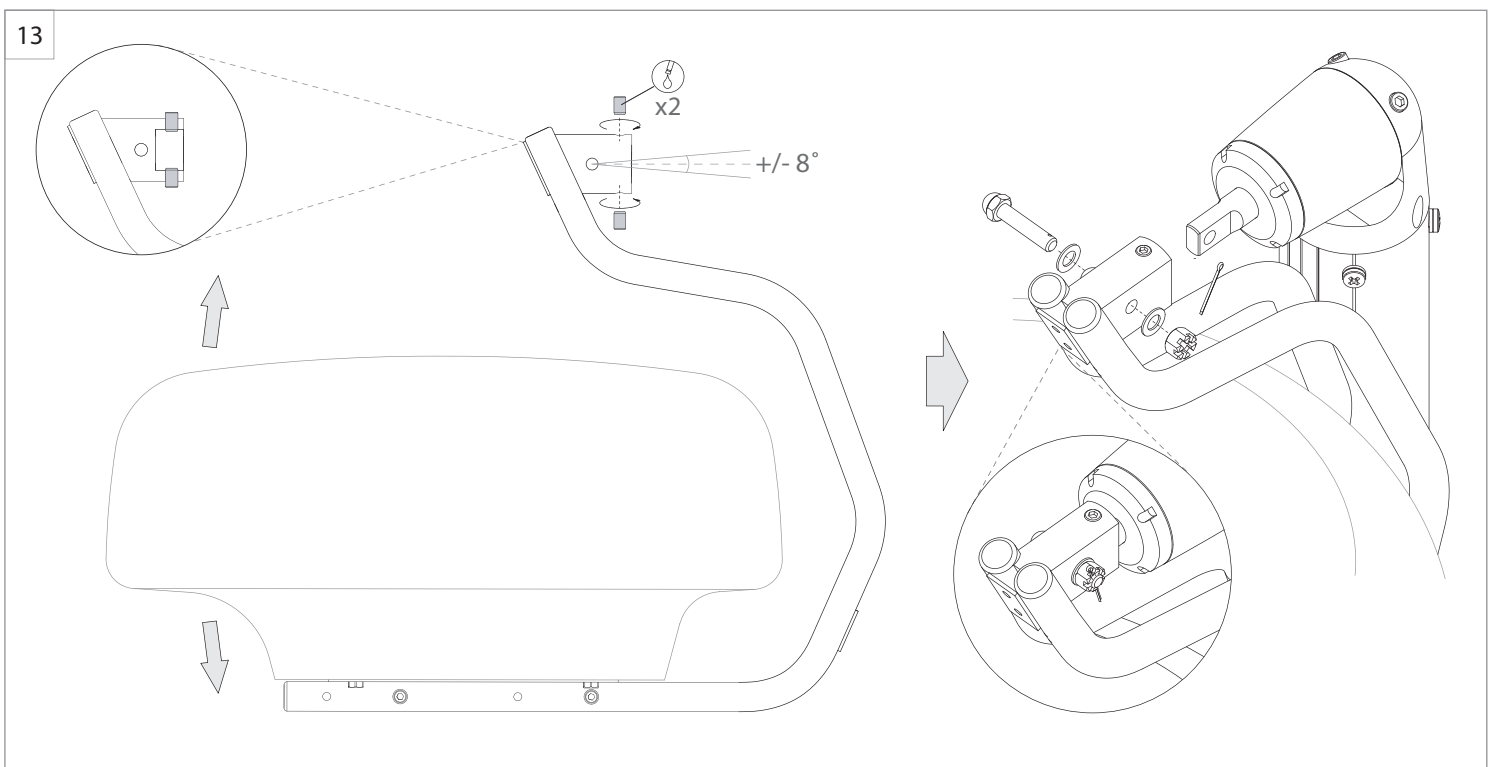
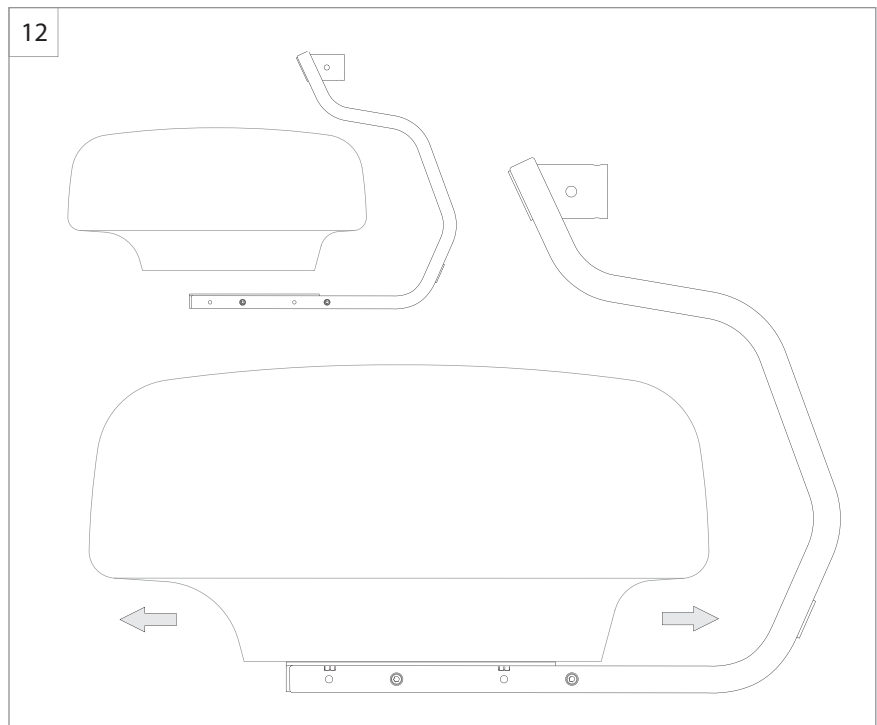
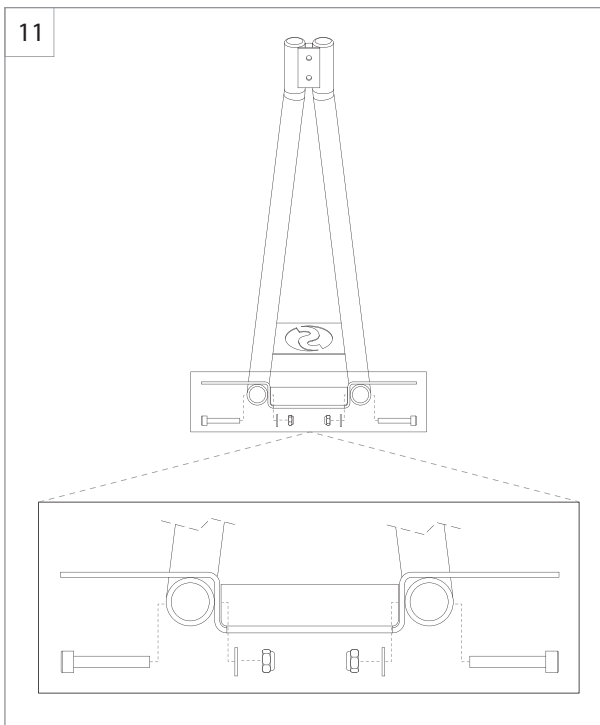
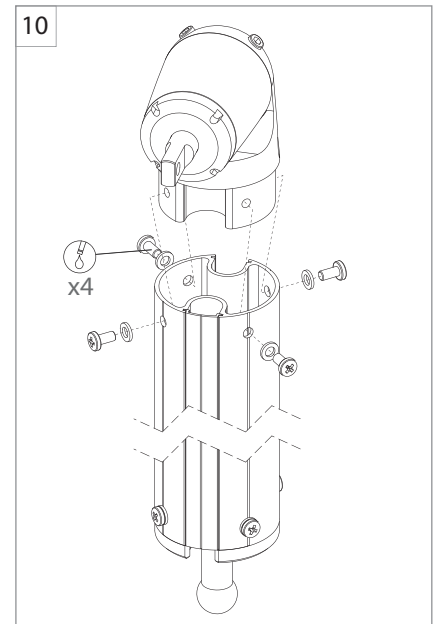
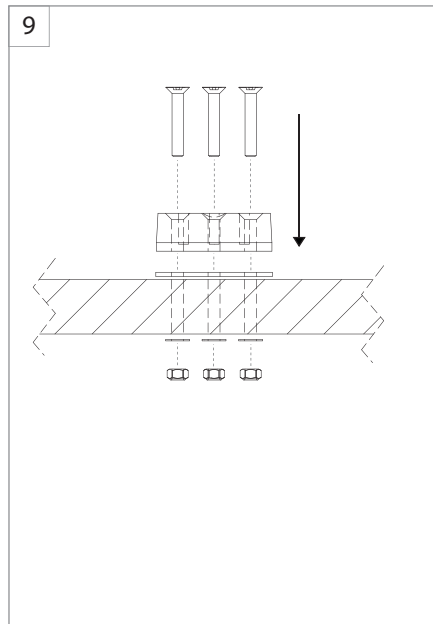
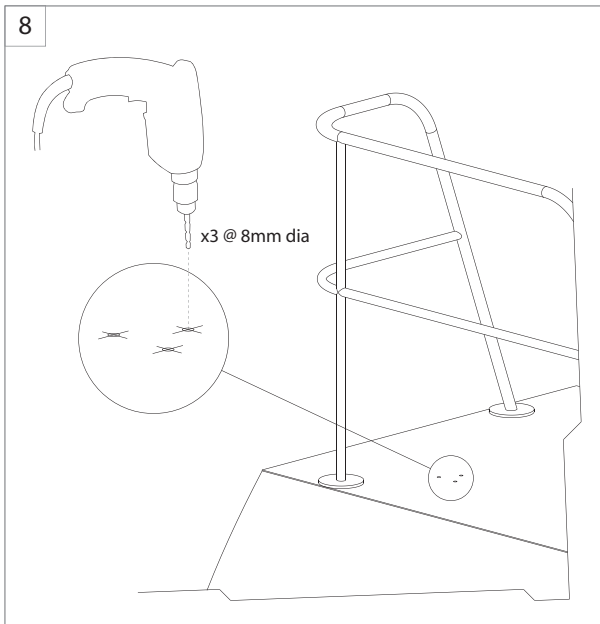


6

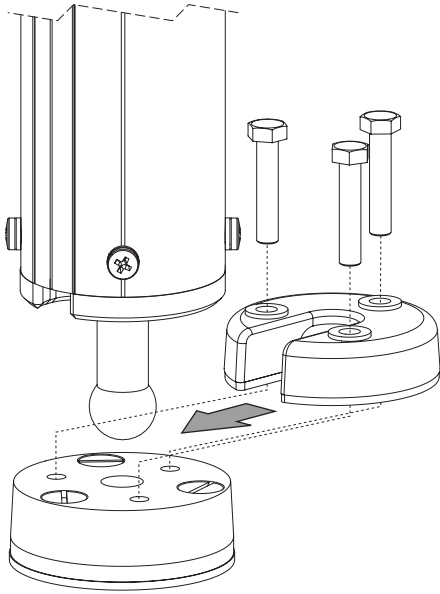


7

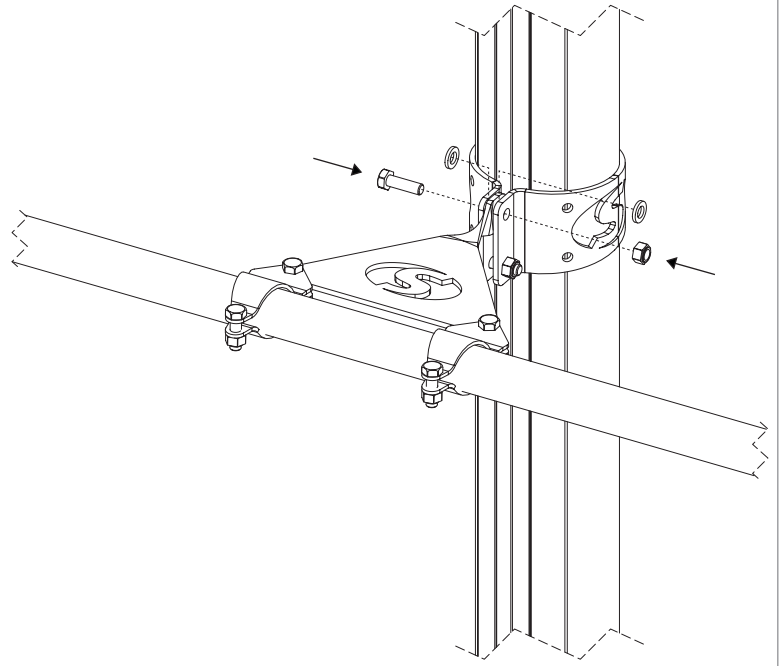




14



15



16

