

# scanpod guide

## power & sail



scanpod



sailboat products



powerboat products



deck seals



accessories



# SCANSTRUT<sup>®</sup>

Installation Solutions for Marine Electronics<sup>™</sup>

# Welcome

# Why Choose a Scanpod?

Scanstrut is proud to introduce an exciting new range of instrument pods, taking a fresh look at the challenge of installing chartplotters, radar displays, instruments and autopilots onto power or sailboats. The Scanpod range offers simplicity of choice, better mounting options and unique solutions for all on-board instruments.

## Electronics + Scanstrut = The Complete Solution

View the complete Scanstrut range – Self-Levelling, Mast Mount, PowerTower and more at [www.scanstrut.com](http://www.scanstrut.com)



## Research & Development

With over 25 years' experience as the industry leader, we are committed to innovation and product development. Our dedicated goal is to provide the boat owner with a choice of outstanding mounting solutions for the latest marine electronics.

We value customer feedback. It's what drives our design process. With a project team that includes chartered engineers, award-winning designers and fresh thinking graduates, we never take the simple option in our desire to innovate and design the best marine products.

The new Scanpod range is the culmination of in-depth market research, product development and testing. Working closely with our customers and partners we have delivered a solution focused perfectly on quality, style and function.



Extreme temperature testing: from -15°C (5°F) to over 50°C (122°F).

Waterproof testing: 300 litres per minute from a fire hose.

Shock load testing: accelerometer units placed in key locations onboard to measure G-loads.



### Innovative Sealing

**What is innovative about the Scanpod seal?**  
The seal has been designed to give a multiple point sealing for full instrument protection from water ingress. Manufactured from high tear strength silicone, it has a very high resistance to heat and UV.

### Marine Grade Materials

**What materials are Scanpods made from?**  
Acrylic capped ABS plastic. This makes them tough, corrosion free and UV stable – ready for anything the ocean can throw at them!  
We use stronger ABS material that adds rigid support for all screens, making them tougher than existing models on the market.

### Secure Install

**How do I know that my electronics are safe inside a Scanpod?**  
All models are supplied with tamperproof security screws which can only be opened with the tools provided.  
Threaded inserts fit to the back casing, securing the install without the need to self tap into the plastic. The fixing thread stays 100% perfect regardless of the number of times the pod is fastened or unfastened.

### Easily Serviced

**How easy are Scanpods to service?**  
Scanpods have threaded steel inserts so you can remove the pod front easily and refit as often as required, without damaging the thread – a problem found with existing models on the market.

### Simplified Stocking

**How easy are Scanpods to stock as a dealer?**  
Very easy. We have only 20 part numbers in the entire range.  
As the Scanpods are supplied uncut, it's an easier product range to stock. Intuitive part numbers ensure that it's easy to work out what you need, e.g.  
SPH-8D-W = Scanpod Helm, 8" display, 'Deep' back, White



### Supplied Uncut

**Why are the Scanpods supplied uncut?**  
All Scanpods are supplied uncut to fit any display. This avoids having to stock a range of product to suit the many different screen options.  
**How do you cut a pod front?**  
Most electronics will supply a cutting template. Using a jigsaw, cut to the required shape.  
**A factory cutting service is available.**



### Compact Design

**Why do you have two depth options?**  
We offer both deep and shallow pods – ensuring the best fit for different sized electronics and to guarantee your Pod is as compact as possible.  
We have also minimised the extra material outside of the usable face (where the electronics will fit). The fixings work inwards rather than front to back, removing the need for additional material.

### Choice of Colour

**Why do you offer two colours?**  
Scanpods are available in two high gloss colours – new silver or traditional white.  
For a perfect match on any boat – traditional or modern.

### Ease of Installation

**Will I find them easy to install?**  
A complete fixing kit is included which ensures you have everything you need to install the product.  
The fixing holes are pre-drilled, so you can locate the two halves and easily tighten them together.  
The seal is pre-glued to back of Pod to ensure the front face can be easily fitted.

contents	
<b>Scanpods</b>	
	Helm Pod 3
	Flex-Mount System 4
	Mast Pod 5
	Deck Pod 6
	Find Your Part Number Back Cover



# Helm Pod

# Flex-Mount System



Introducing the most compact, watertight installation for installing your marine electronics at the yacht's helm.

With options to fit radar displays with standard navigation instruments, the Helm Pod is available in two high gloss colours: modern silver or traditional white.

The choice is yours!

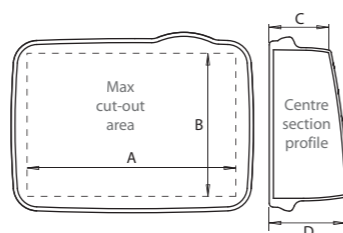
**Range of Models**  
Models to fit 8", 10", 12" and 15".

**Innovative Sealing**

Multiple point seal ensures full instrument protection from water and UV.



**Universal Fit**  
Universal back fits to both 9.5" and 12" centre pedestal guards.



**tip**  
Do you have a twin helm yacht?  
Are you mounting on a low rail?  
Our Flex-Mount System is for you.  
See page 4.

**Multiple Instruments**  
Install additional instruments at the Helm.



**NEW System Pod**  
Install displays and instruments together in one mounting, e.g. 8" Display & 4 x Instruments or 12" Display & 2 x Instruments.

**Secure Install & Easily Serviced**  
Tamperproof stainless fastenings secure install without self-tapping into plastic.

**Choice of Colour**  
New silver or traditional white.



Always view your instruments from the perfect angle by using a Flex-Mount System in combination with your Scanstrut Helm Pod.

A unique innovation from Scanstrut, the Flex-Mount system gives you more options for installing your electronics.

Simply clamp onto your existing rail or steering binnacle and install the Helm Pod as normal. Then tilt or rotate as required for the perfect view of your screen.

**Marine Grade Materials**  
Marine 316 stainless steel and anodised 6000 series aluminium.

**Ease of Installation**  
Complete fixing kit and holes pre-drilled.



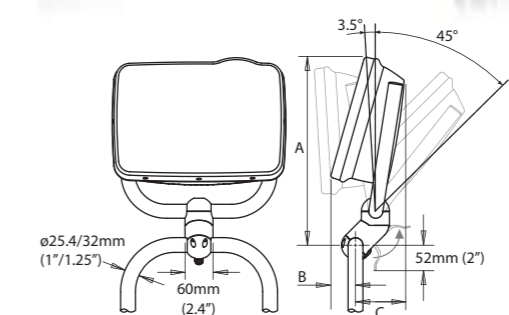
**Quick Release Lever**  
Easy to use – simply lock / unlock into position.



**Best Viewing Angle**  
Tilt display forward / back or rotate from side to side for better viewing.

**Neat Install**  
Cables exit back of the Pod and into the pedestal or rail using watertight grommet.

**Versatile Mounting**  
Fits 1" and 1 1/4" rail sizes and requires minimum of 60mm (2.4") of straight rail to mount.



**Please note, compatible with Helm Pod models only.**

**tip**  
Use Flex-Mount for twin helm boats – simply rotate and lock for best view.

Specifications:

	SPH-8S	SPH-8D	SPH-12S	SPH-12D	SPH-15D	SPH-21	SPH-41	SPH-SYSTEM
Description	'Shallow' back	'Deep' back	'Shallow' back	'Deep' back	'Deep' back	2 x std instruments	4 x std instruments	Displays + instruments
Dimensions: mm (in)								
A Max. Cut-Out Width	322 (12.7)	322 (12.7)	381 (15)	381 (15)	418 (16.5)	295 (11.6)	515 (20.3)	525 (20.7)
B Max. Cut-Out Height	218 (8.6)	218 (8.6)	260 (10.2)	260 (10.2)	318 (12.5)	121 (4.8)	121 (4.8)	265 (10.4)
C Top Depth	86 (3.4)	147 (5.8)	117 (4.6)	159 (6.3)	146 (5.7)	72 (2.8)	72 (2.8)	165 (6.5)
D Bottom Depth	113 (4.4)	166 (6.5)	145 (5.7)	182 (7.2)	176 (6.9)	72 (2.8)	72 (2.8)	195 (7.7)

**FIND YOUR PART NUMBER – SEE BACK PAGE**

Specifications:

	SPFM-RM1-8	SPFM-RM1-8	SPFM-RM1-12	SPFM-RM1-12	SPFM-RM1-15
For Helm Pod	SPH-8S	SPH-8D	SPH-12S	SPH-12D	SPH-15D
Helm Pod Type	'Shallow' back	'Deep' back	'Shallow' back	'Deep' back	'Deep' back
Dimensions: mm (in)					
A	410 (16.1)	422 (16.6)	455 (17.9)	455 (17.9)	525 (20.7)
B	56 (2.2)	100 (3.9)	90 (3.5)	118 (4.6)	120 (4.7)
C	95 (3.7)	104 (4.1)	97 (3.8)	107 (4.2)	110 (4.3)

Flex-Mount System is sold separately as an accessory. Helm Pod is required to complete the installation.

**FIND YOUR PART NUMBER – SEE BACK PAGE**



# Mast Pod

Simplicity of choice, better mounting options, unique solutions

# Deck Pod



The Mast Pod range offers a choice of sizes and materials to allow installation of standard or larger 20/20 maxi style instruments at the mast.

Our new 'off-the-shelf' Carbon Mast Pod, designed to fit 3 or 4 maxi instruments, provides a weight saving option for all sailors.

Whether racing or cruising, our Mast Pods give you the best view of your instruments.




**Universal Mounting System**  
Mast arms pivot about semi circular inserts & fit a wide range of mast sizes – 76mm (3") to 223mm (8.8").

**Rigid Install**  
An additional cross-brace provides stiffness preventing sideways movement.

**Innovative Sealing**  
Multiple point seal ensures full instrument protection from water and UV.

**Secure Install & Easily Serviced**  
Tamperproof stainless fastenings secure install without self-tapping into plastic.

**Choice of Colour**  
New silver or traditional white.



### Carbon Mast Pod

Lightweight option to fit 3 or 4 x 20/20 maxi style instruments including new Raymarine ST70+.

Full height splash guard on back of Carbon Pod to fully protect instruments. In stock now!



Specifications:

	SPM-2i	SPM-4i	SPM-MAXI	SPM-MAXI-C
Description	ABS (2 x 'std nav. instruments')	ABS (4 x 'std nav. instruments')	ABS (3 or 4 x 'maxi')	Carbon (3 or 4 x 'maxi')
Dimensions: mm (in)				
A Max. Cut-Out Width	121 (4.8)	121 (4.8)	201 (7.9)	185 (7.3)
B Max. Cut-Out Height	295 (11.6)	515 (20.3)	483 (19.0)	480 (18.9)
C Enclosure Width	182 (7.2)	185 (7.3)	254 (10.0)	226 (8.9)
D Enclosure Height	350 (13.8)	563 (22.2)	526 (20.7)	538 (21.2)
E Enclosure Depth	72 (2.8)	72 (2.8)	75 (2.95)	81 (3.2)

The ingenious Deck Pod meets the challenge of finding a level mounting surface to install displays onto your powerboat, commercial vessel, RIB or sailboat wheelhouse.

Great features include an easy to use quick release lever, allowing you to alter the angle of the screen quickly and an adjustable base which allows a range of movement and multiple mounting angles.

Now you really can fit your screen to any surface...



**Quick Release Lever**  
Offering a one-handed quick release action, simply release the lever, swivel & tilt to alter the angle of your screen, fasten again. As simple as that!

**Innovative Base**  
Swivel & tilt base provides a level mount on any angled slopes and locks / unlocks into position.

**Range of Models**  
Models to fit 8", 10", 12" and 15" displays.

**Best Viewing Angle**  
Adjustable ball joint allows range of movement and multiple mounting angles.

**Overhead Mounting**  
Deck Pod models can be overhead mounted. Refer to product guide for compatibility.

**Secure Install & Easily Serviced**  
Tamperproof stainless fastenings secure install without self-tapping into plastic.

**Innovative Sealing**  
Multiple point seal ensures full instrument protection from water and UV.

**Choice of Colour**  
New silver or traditional white.



Specifications:

	SPD-8S	SPD-8D	SPD-12S	SPD-12D	SPD-15D
Description	'Shallow' back	'Deep' back	'Shallow' back	'Deep' back	'Deep' back
Dimensions: mm (in)					
A Max. Cut-Out Width	322 (12.7)	322 (12.7)	381 (15.0)	381 (15.0)	418 (16.5)
B Max. Cut-Out Height	218 (8.6)	218 (8.6)	260 (10.2)	260 (10.2)	318 (12.5)
C Enclosure Top Depth	91 (3.6)	152 (6.0)	120 (4.7)	163 (6.4)	147 (5.8)
D Enclosure Bottom Depth	–	171 (6.7)	–	188 (7.4)	177 (7.0)
E Overall Depth	167 (6.6)	180 (7.1)	178 (7.0)	203 (8.0)	195 (7.7)

**tip**  
Wheelhouse fishing boat?  
Simply rotate to view in wheelhouse or on deck.

# To find your part number please refer to the table below.

In order to specify your colour, add **-S** for **Silver** and **-W** for **White** after the part number i.e. SPM-2i-**W** = **White**.



	Helm Pod					Deck Pod			Mast Pod				
	8" Pod	12" Pod	15" Pod	2 x Instruments	4 x Instruments	8" Pod	12" Pod	15" Pod	2 x Instruments	4 x Instruments	3 / 4 Place Maxi	3 / 4 Place Maxi Carbon	
	Page 3	Page 3	Page 3	Page 3	Page 3	Page 6	Page 6	Page 6	Page 5	Page 5	Page 5	Page 5	
<b>Display</b>	<b>Page 3</b>	<b>Page 3</b>	<b>Page 3</b>	<b>Page 3</b>	<b>Page 3</b>	<b>Page 6</b>	<b>Page 6</b>	<b>Page 6</b>	<b>Page 5</b>	<b>Page 5</b>	<b>Page 5</b>	<b>Page 5</b>	
H3000 GDP / H3000 GFD	X	X	X	SPH-2i	SPH-4i	X	X	X	SPM-2i	SPM-4i	SPM-MAX	SPM-MAX-C	
H3000 Analogue	X	X	X	X	X	X	X	X	SPM-2i	SPM-4i	X	X	
10 / 10	X	X	X	SPH-4i	SPH-4i	X	X	X	SPM-2i	SPM-4i	X	X	
20 / 20	X	X	X	X	X	X	X	X	X	X	SPM-MAX	SPM-MAX-C	
1724C / 1734C / GD-1720C	SPH-8D	X	X	X	X	SPD-8D	X	X	X	X	X	X	
MFD8	SPH-8D	X	X	X	X	SPD-8D*	X	X	X	X	X	X	
1824C-BB / 1934C-BB / 1944C-BB	X	SPH-12D	X	X	X	X	SPD-12D	X	X	X	X	X	
GD-1920C	X	SPH-12D	X	X	X	X	SPD-12D	X	X	X	X	X	
MFD12	X	SPH-12D	X	X	X	X	SPD-12D*	X	X	X	X	X	
MU-120C	X	SPH-12D	X	X	X	X	SPD-12D	X	X	X	X	X	
MU-155C	X	X	SPH-15D	X	X	X	X	SPD-15D	X	X	X	X	
FI-50 STD Instruments	X	X	X	SPH-2i	SPH-4i	X	X	X	SPM-2i	SPM-4i	X	X	
FI-50 Multi x 2	X	X	X	X	X	X	X	X	X	X	SPM-MAX	SPM-MAX-C	
3008 / 4008 / 5008	SPH-8D	X	X	X	X	SPD-8D	X	X	X	X	X	X	
3010 / 4010	X	SPH-12D	X	X	X	X	SPD-12D	X	X	X	X	X	
3012 / 4012 / 5012	X	SPH-12D	X	X	X	X	SPD-12D	X	X	X	X	X	
5015	X	X	SPH-15D	X	X	X	X	SPD-15D	X	X	X	X	
GMI 10	X	X	X	SPH-2i	SPH-4i	X	X	X	SPM-2i	SPM-4i	X	X	
I1 Cnet	X	SPH-12S	X	X	X	X	SPD-12S	X	X	X	X	X	
G12	X	SPH-12D	X	X	X	X	SPD-12D	X	X	X	X	X	
I5 Sunshine	X	X	SPH-15D	X	X	X	X	SPD-15D	X	X	X	X	
G5C110	X	X	X	SPH-2i	SPH-4i	X	X	X	SPM-2i	SPM-4i	X	X	
AP201	X	X	X	SPH-2i	SPH-4i	X	X	X	SPM-2i	SPM-4i	X	X	
SP401 / AP801	X	X	X	SPH-2i	SPH-4i	X	X	X	X	X	X	X	
HDS-5 / HDS-5m / HDS-5x	SPH-8S	X	X	X	X	SPD-8S	X	X	X	X	X	X	
HDS-7 / HDS-7m	SPH-8S	X	X	X	X	SPD-8S	X	X	X	X	X	X	
HDS-8	SPH-8S	X	X	X	X	SPD-8S*	X	X	X	X	X	X	
HDS-8m	SPH-8S	X	X	X	X	SPD-8S	X	X	X	X	X	X	
HDS-10 / HDS-10m	X	SPH-12S	X	X	X	X	SPD-12S	X	X	X	X	X	
M08 / M10	SPH-8S	X	X	X	X	SPD-8S	X	X	X	X	X	X	
M12	X	SPH-12S	X	X	X	X	SPD-12S	X	X	X	X	X	
NX, NX2 Digital, NX2 Analogue	X	X	X	SPH-2i	SPH-4i	X	X	X	SPM-2i	SPM-4i	X	X	
NX2, Multi XL	X	X	X	X	X	X	X	X	X	X	X	SPM-MAX-C	
NXR, Multi	X	X	X	X	X	X	X	X	X	X	X	SPM-MAX-C	
Explorer 660	SPH-8S	X	X	X	X	SPD-8S	X	X	X	X	X	X	
Explorer 6" 657 / 467	SPH-8S	X	X	X	X	SPD-8S	X	X	X	X	X	X	
Explorer 6" 650 / 657 / 550 / 557 / 457	SPH-8S	X	X	X	X	SPD-8S	X	X	X	X	X	X	
Explorer 310 Instruments	X	X	X	SPH-2i	SPH-4i	X	X	X	SPM-2i	SPM-4i	X	X	
Explorer AP380	SPH-8S	X	X	X	X	SPD-8S	X	X	SPM-2i	SPM-4i	X	X	
8000i - 15"	X	X	SPH-15D	X	X	X	X	SPD-15D	X	X	X	X	
8000i - 12"	X	SPH-12S	X	X	X	X	SPD-12S	X	X	X	X	X	
6100i - 6.4" / 8.4"	SPH-8D	X	X	X	X	SPD-8S	X	X	X	X	X	X	
6100i - 10.4" / 12.1"	X	SPH-12S	X	X	X	X	SPD-12S	X	X	X	X	X	
6100i - 15.1"	X	X	SPH-15D	X	X	X	X	SPD-15D	X	X	X	X	
M121	X	SPH-12S	X	X	X	X	SPD-12S	X	X	X	X	X	
M84	SPH-8S	X	X	X	X	SPD-8S	X	X	X	X	X	X	
C Series - C70 / C80	SPH-8D	X	X	X	X	SPD-8D*	X	X	X	X	X	X	
C Series - C120	X	SPH-12D	X	X	X	X	SPD-12D*	X	X	X	X	X	
C Series - C90W / E Series - E90W	SPH-8D	X	X	X	X	SPD-8D*	X	X	X	X	X	X	
C Series - C120W / E Series - E120W	X	SPH-12D	X	X	X	X	SPD-12D*	X	X	X	X	X	
C Series - C140W / E Series - E140W	X	X	SPH-15D	X	X	X	X	SPD-15D*	X	X	X	X	
G Series - G120	X	X	SPH-15D	X	X	X	X	SPD-15D	X	X	X	X	
G Series - G150	X	X	X	X	X	X	X	SPD-15D	X	X	X	X	
E Series - E80	SPH-8D	X	X	X	X	SPD-8D	X	X	X	X	X	X	
E Series - E120	X	SPH-12D	X	X	X	X	SPD-12D	X	X	X	X	X	
ST70	X	X	X	SPH-2i	SPH-4i	X	X	X	SPM-2i	SPM-4i	X	X	
ST290 Graphic	X	X	X	X	X	X	X	X	X	X	SPM-MAX	SPM-MAX-C	
ST290 Analogue	X	X	X	SPH-2i	SPH-4i	X	X	X	SPM-2i	SPM-4i	X	X	
ST70+	X	X	X	X	X	X	X	X	X	X	SPM-MAX	SPM-MAX-C	
ST60+	X	X	X	SPH-2i	SPH-4i	X	X	X	SPM-2i	SPM-4i	X	X	
ST40	X	X	X	SPH-2i	SPH-4i	X	X	X	SPM-2i	SPM-4i	X	X	
A50/50d / A57d / A65 / A60 / A70/70d	SPH-8S	X	X	X	X	SPD-8S	X	X	X	X	X	X	
IS20	X	X	X	SPH-2i	SPH-4i	X	X	X	SPM-2i	SPM-4i	X	X	
GB40 10" Monitor	SPH-8S	X	X	X	X	SPD-8S	X	X	X	X	X	X	
GB40 15" Monitor	X	X	SPH-15D	X	X	X	X	SPD-15D	X	X	X	X	
NSE-8	SPH-8D	X	X	X	X	SPD-8D*	X	X	X	X	X	X	
NSE-12	X	SPH-12D	X	X	X	X	SPD-12D	X	X	X	X	X	
NX40	SPH-8S	X	X	X	X	SPD-8S*	X	X	X	X	X	X	
NX45	X	SPH-12S	X	X	X	X	SPD-12S*	X	X	X	X	X	
AP50 / AP24 / AP28 / AI50	X	X	X	SPH-2i	SPH-4i	X	X	X	SPM-2i	SPM-4i	X	X	
Maxi Display T200 Series	X	X	X	X	X	X	X	X	X	X	SPM-MAX	SPM-MAX-C	
Maxi Display T100 Series	X	X	X	SPH-2i	SPH-4i	X	X	X	SPM-2i	SPM-4i	X	X	

X where you see this symbol please contact Scanstrut for advice. \* = Pod can be overhead mounted. When ordering, please remember to specify colour. Add **S** for Silver or **W** for White to the end of the part number. Please note some Scanpod models also allow installation of a combination of displays & instruments. Please contact Scanstrut for further information or refer to the technical information in the brochure.

Scanstrut products are available worldwide, for full details contact our offices or go to: [www.scanstrut.com](http://www.scanstrut.com)

All Scanstrut products are supplied with a standard worldwide warranty. Refer to [www.scanstrut.com](http://www.scanstrut.com) for details. Scanstrut products are designed with care for their specific function listed in our brochure and on our website. Any Scanstrut product should not be used in an application for which it is not intended. All design is worldwide copyright of Scanstrut Limited.

**UK & International Distribution**  
 Scanstrut Limited  
 1 Malt Mill, Totnes, Devon, UKTQ9 5NH  
 Tel: +44(0) 1803 863800 Fax: +44(0) 1803 862223  
[mail@scanstrut.com](mailto:mail@scanstrut.com)  
[www.scanstrut.com](http://www.scanstrut.com)

**USA**  
 Scanstrut USA  
 2415 Boston Post Road, Guilford, CT 06437  
 Tel: +1-800-343-8294  
[info@scanstrutusa.com](mailto:info@scanstrutusa.com)  
[www.scanstrutusa.com](http://www.scanstrutusa.com)



Scanstrut and PowerTower are registered trade marks of Scanstrut Ltd. All other product names are trademarks of their respective owners. Catalogue correct at time of press. Liability for any difference between product and catalogue cannot be accepted by Scanstrut Ltd. Photography by Scanstrut Ltd, Chris Knox Photography and Nicolas Claris.