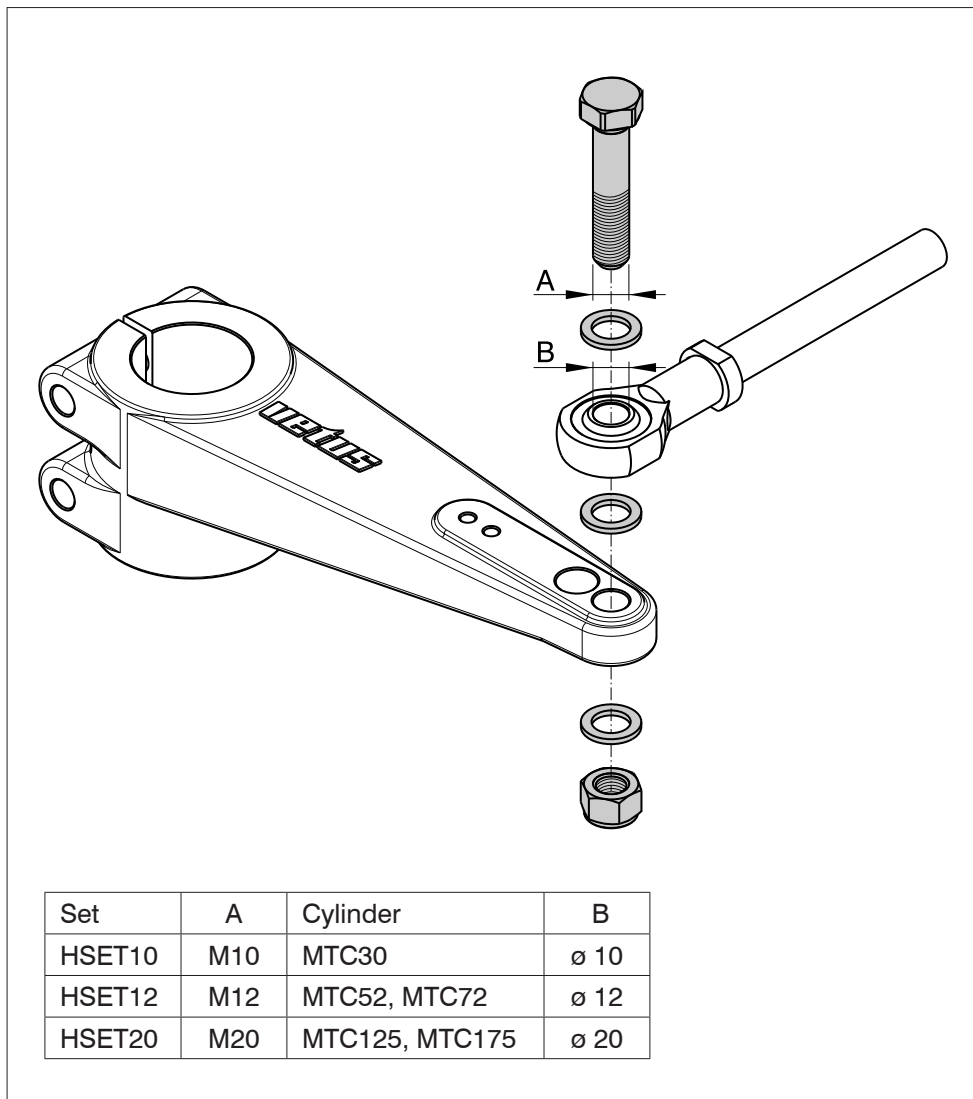


Connection set for cylinder - rudder arm



Set	A	Cylinder	B
HSET10	M10	MTC30	ø 10
HSET12	M12	MTC52, MTC72	ø 12
HSET20	M20	MTC125, MTC175	ø 20